

## SHOWER

ZT7787

Colonna doccia completa di termostatico esterno. / Shower column with exposed thermostatic mixer.



Colonna doccia completa di termostatico esterno, soffione Z94312 Ø 250 mm e doccetta in ABS Z94731 a 3 getti.  
Water Saving - portata d'acqua uguale o inferiore a 9 l/min.

Shower column with exposed thermostatic mixer, shower head Z94312 Ø 250 mm and ABS handshower Z94731 3 jets.  
Water Saving - water flow rate of 9 l/min or less.

## SHOWER

ZT7787

### Finiture / Finishes



Cromo / Chrome



**C3**

Nickel Spazzolato / Brushed Nickel



**C8**

Nickel Lucido / Polished Nickel



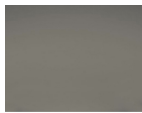
**C40**

Oro / Gold



**C41**

Oro spazzolato / Brushed Gold



**C50**

Metal Black / Metal Black



**C51**

Metal Black spazzolato / Brushed Metal Black



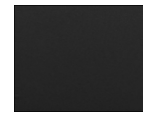
**W1**

Bianco Opaco Goffrato / Embossed Matt White



**N1**

Nero Opaco Goffrato / Embossed Matt Black



**N6**

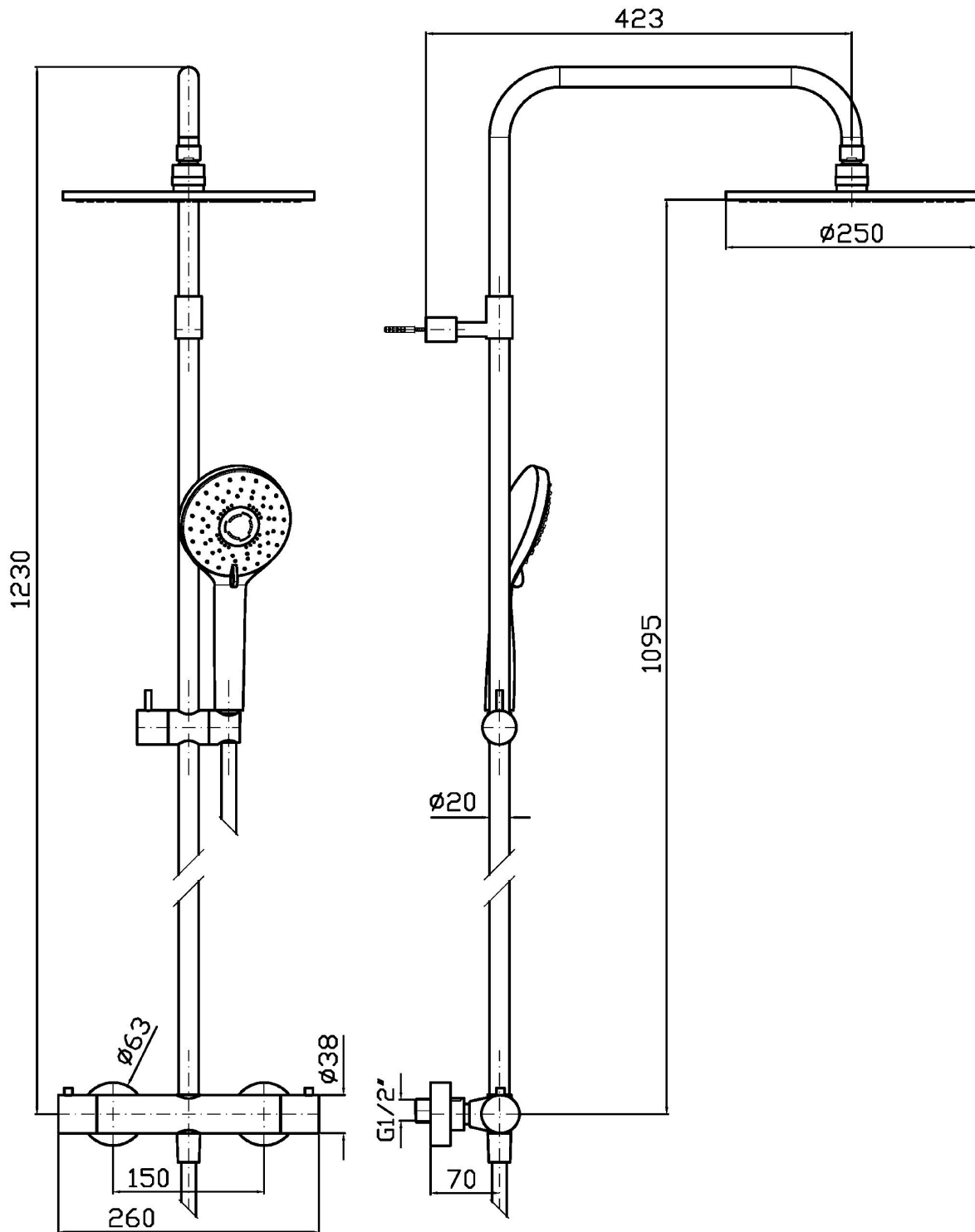
Nero opaco / Matt black

### Note / Notes

## SHOWER

ZT7787

Disegno Complessivo / Overall Drawing

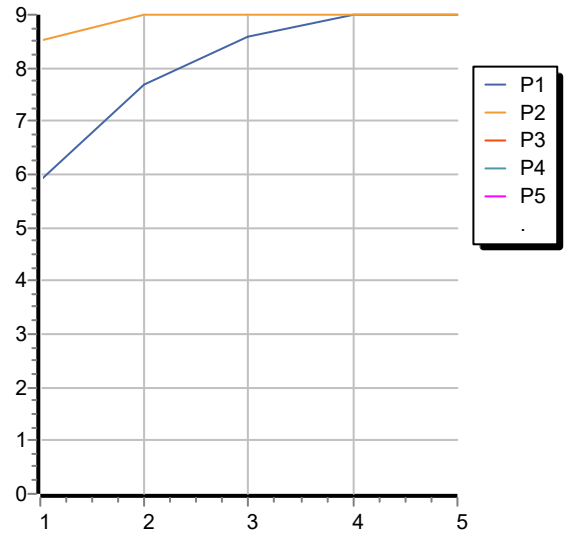


## SHOWER

ZT7787

Portate / Flowrates (lt/min)

PRESSIONE PRESSURE	1 BAR	2 BAR	3 BAR	4 BAR	5 BAR
P1 SOFFIONE SHOWER HEAD	8,5	9	9	9	9
P2 DOCCETTA HANDSHOWER	5,9	7,7	8,6	9	9
P3					
P4					
P5					



## SHOWER

ZT7787

Pesi e Misure / Weights and Sizes

Peso ( Kg ) Weight ( lb )	6,19 ( Kg )	13,65 ( lb )
Volume test ( dc3 ) - ( in3 )	87,00 ( dc3 )	5309,06 ( in3 )
h ( mm ) - ( in )	110,00 ( mm )	4,33 ( in )
L1 ( mm ) - ( in )	430,00 ( mm )	16,93 ( in )
L2 ( mm ) - ( in )	1180,00 ( mm )	46,46 ( in )

