

## SABLIER

ZSL803.X

Termostatico incasso doccia con 3 rubinetti d'arresto. / Built-in thermostatic shower mixer with 3 stop valves.



Termostatico incasso doccia da 3/4", in acciaio inox AISI 316L, con 3 rubinetti d'arresto. Installazione possibile sia in verticale che in orizzontale.

3/4" built-in thermostatic shower mixer in AISI 316L stainless steel, with 3 stop valves. Both vertical and horizontal installation possible.

R96732

Parte incasso / Built-in part



## SABLIER

ZSL803.X

Finiture / Finishes



**X**

Acciaio inox spazzolato /  
Brushed stainless steel



**XP21**

Brushed PVD chocolate /  
Brushed PVD chocolate



**XP31**

Brushed PVD British gold /  
Brushed PVD British gold



**XP41**

Brushed PVD gold / Brushed  
PVD gold



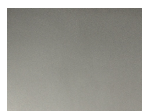
**XP81**

PVD Brushed Total Black /  
PVD Brushed Total Black



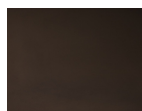
**XP91**

Brushed PVD copper /  
Brushed PVD copper



**XS**

Acciaio inox matt / Matt  
stainless steel



**XSP21**

Matt PVD chocolate / Matt  
PVD chocolate



**XSP31**

Matt PVD British gold / Matt  
PVD British gold



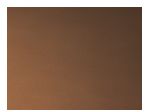
**XSP41**

Matt PVD gold / Matt PVD gold



**XSP81**

Matt PVD total black / Matt  
PVD total black



**XSP91**

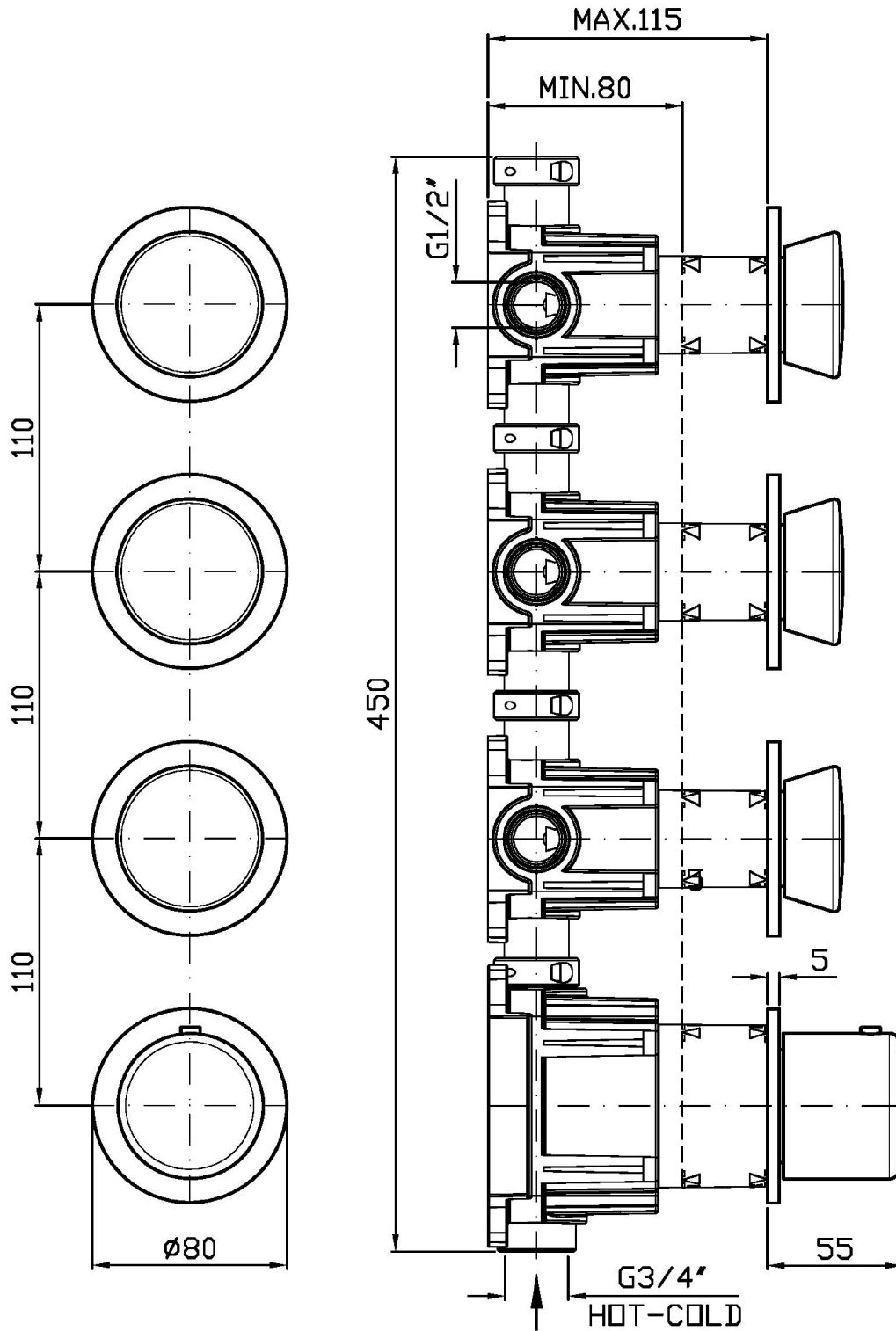
Matt PVD copper / Matt PVD  
copper

Note / Notes

## SABLIER

ZSL803.X

Disegno Complessivo / Overall Drawing

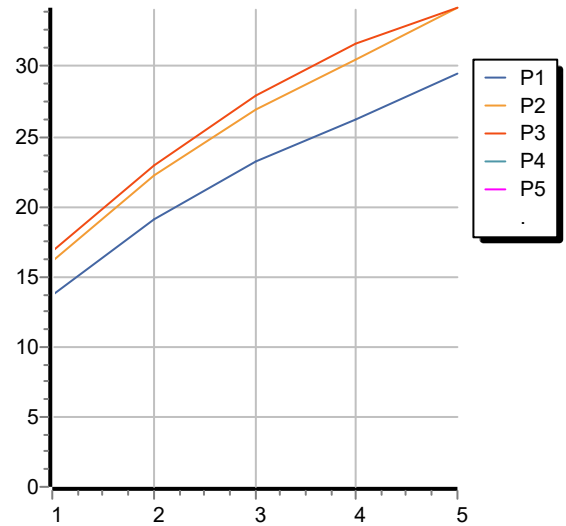


## SABLIER

ZSL803.X

Portate / Flowrates (lt/min)

PRESSIONE PRESSURE	1 BAR	2 BAR	3 BAR	4 BAR	5 BAR
1 RUBINETTO APERTO <i>P1</i>	13,7	19,1	23,2	26,2	29,5
2 RUBINETTO APERTI 2 TAPS OPENED <i>P2</i>	16,1	22,2	27	30,5	34,2
3 RUBINETTO APERTI 3 TAPS OPENED <i>P3</i>	16,8	23	28	31,6	34,2
<i>P4</i>					
<i>P5</i>					



## SABLIER

ZSL803.X

Pesi e Misure / Weights and Sizes

Peso ( Kg ) Weight ( lb )	2,70 ( Kg )	5,95 ( lb )
Volume test ( dc3 ) - ( in3 )	11,01 ( dc3 )	671,87 ( in3 )
h ( mm ) - ( in )	90,00 ( mm )	3,54 ( in )
L1 ( mm ) - ( in )	335,00 ( mm )	13,19 ( in )
L2 ( mm ) - ( in )	365,00 ( mm )	14,37 ( in )

