

## SABLIER

ZSL801.X

Termostatico incasso doccia con un rubinetto d'arresto. / Built-in thermostatic shower mixer with stop valve.



Termostatico incasso doccia da 3/4", in acciaio inox AISI 316L, con un rubinetto d'arresto. Installazione possibile sia in verticale che in orizzontale.

3/4" built-in thermostatic shower mixer in AISI 316L stainless steel, with stop valve. Both vertical and horizontal installation possible.

R96730

Parte incasso / Built-in part



## SABLIER

ZSL801.X

Finiture / Finishes



**X**

Acciaio inox spazzolato /  
Brushed stainless steel



**XP21**

Brushed PVD chocolate /  
Brushed PVD chocolate



**XP31**

Brushed PVD British gold /  
Brushed PVD British gold



**XP41**

Brushed PVD gold / Brushed  
PVD gold



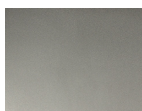
**XP81**

PVD Brushed Total Black /  
PVD Brushed Total Black



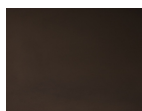
**XP91**

Brushed PVD copper /  
Brushed PVD copper



**XS**

Acciaio inox matt / Matt  
stainless steel



**XSP21**

Matt PVD chocolate / Matt  
PVD chocolate



**XSP31**

Matt PVD British gold / Matt  
PVD British gold



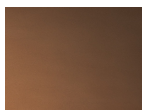
**XSP41**

Matt PVD gold / Matt PVD gold



**XSP81**

Matt PVD total black / Matt  
PVD total black



**XSP91**

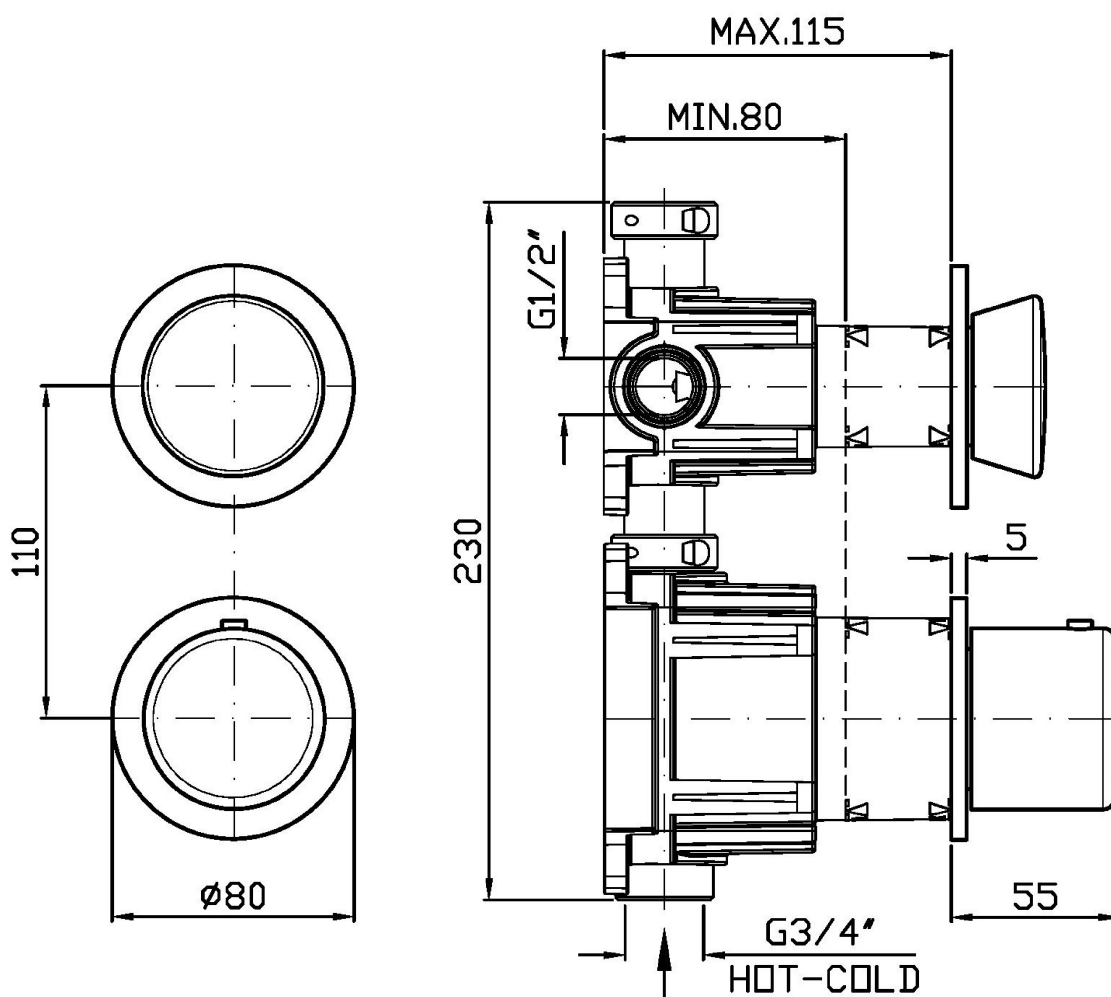
Matt PVD copper / Matt PVD  
copper

Note / Notes

## SABLIER

ZSL801.X

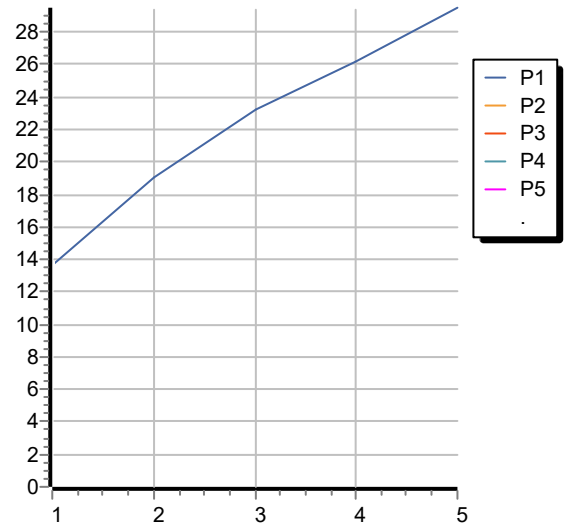
Disegno Complessivo / Overall Drawing



## SABLIER

### ZSL801.X Portate / Flowrates (lt/min)

PRESSIONE PRESSURE	1 BAR	2 BAR	3 BAR	4 BAR	5 BAR
1 RUBINETTO APERTO <i>P1</i>	13,7	19,1	23,2	26,2	29,5
<i>P2</i>					
<i>P3</i>					
<i>P4</i>					
<i>P5</i>					



## SABLIER

### ZSL801.X Pesi e Misure / Weights and Sizes

Peso ( Kg ) Weight ( lb )	1,40 ( Kg )	3,09 ( lb )
Volume test ( dc3 ) - ( in3 )	7,50 ( dc3 )	457,68 ( in3 )
h ( mm ) - ( in )	90,00 ( mm )	3,54 ( in )
L1 ( mm ) - ( in )	250,00 ( mm )	9,84 ( in )
L2 ( mm ) - ( in )	333,00 ( mm )	13,11 ( in )

