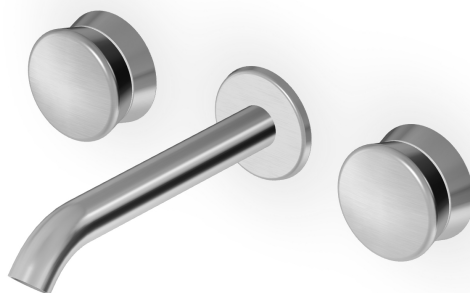


SABLIER

ZSL5782.X

Batteria lavabo incasso a 3 fori. / 3 hole built-in basin mixer.



Batteria lavabo incasso a 3 fori in acciaio inox AISI 316L, con aeratore. Lunghezza bocca 165 mm.
Water Saving - portata d'acqua uguale o inferiore a 6 l/min.

3 hole built-in basin mixer in AISI 316L stainless steel, with aerator. Spout L. 165 mm.
Water Saving - water flow rate of 6 l/min or less.

R99500

Parte incasso corpo unico. / Assembled built-in part.



R99504

Parte incasso con elementi liberi, distanza variabile / Built-in part, not assembled, variable distance.



SABLIER

ZSL5782.X

Finiture / Finishes



X

Acciaio inox spazzolato /
Brushed stainless steel



XP21

Brushed PVD chocolate /
Brushed PVD chocolate



XP31

Brushed PVD British gold /
Brushed PVD British gold



XP41

Brushed PVD gold / Brushed
PVD gold



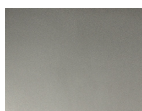
XP81

PVD Brushed Total Black /
PVD Brushed Total Black



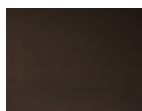
XP91

Brushed PVD copper /
Brushed PVD copper



XS

Acciaio inox matt / Matt
stainless steel



XSP21

Matt PVD chocolate / Matt
PVD chocolate



XSP31

Matt PVD British gold / Matt
PVD British gold



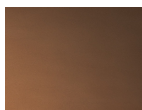
XSP41

Matt PVD gold / Matt PVD gold



XSP81

Matt PVD total black / Matt
PVD total black



XSP91

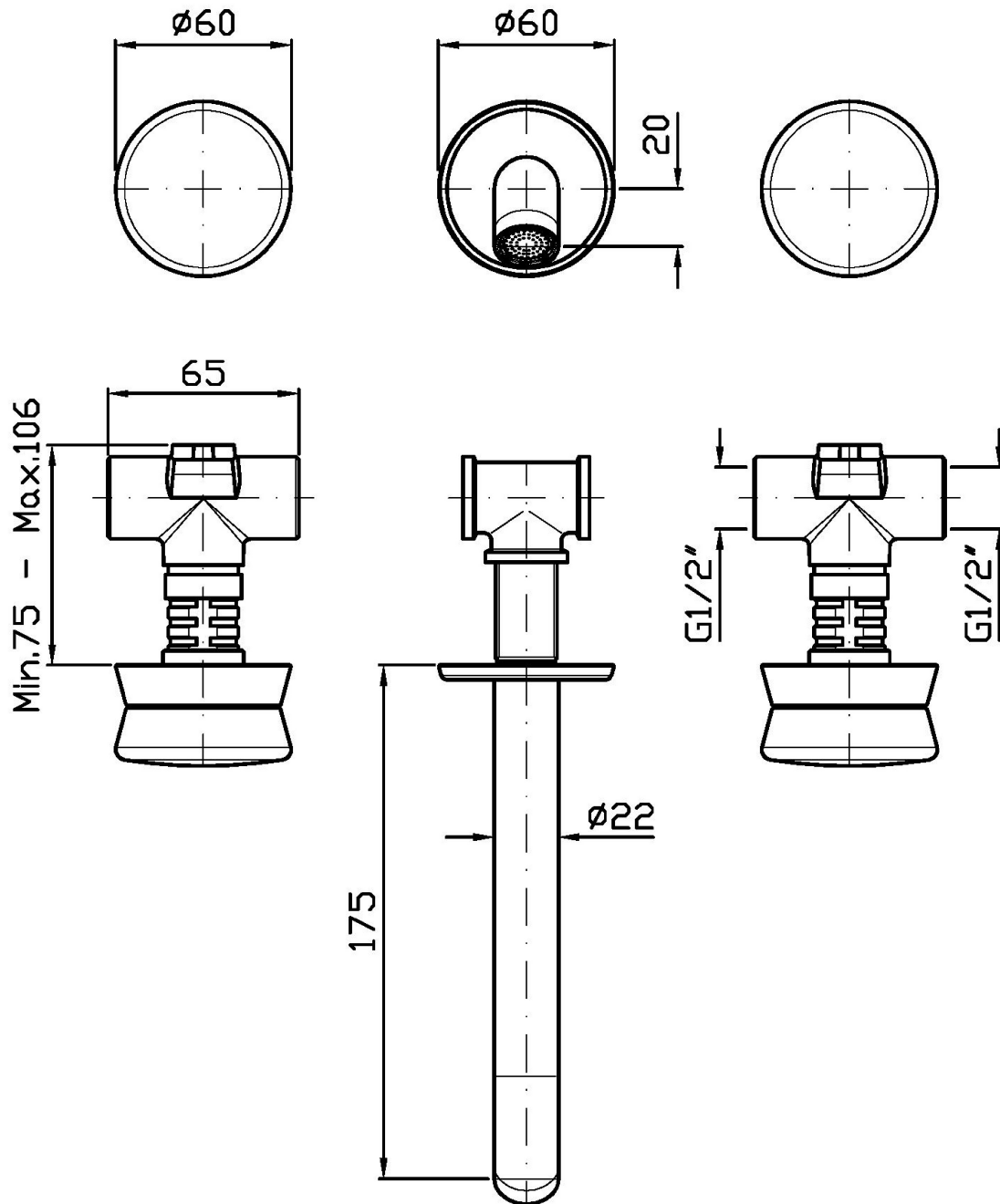
Matt PVD copper / Matt PVD
copper

Note / Notes

SABLIER

ZSL5782.X

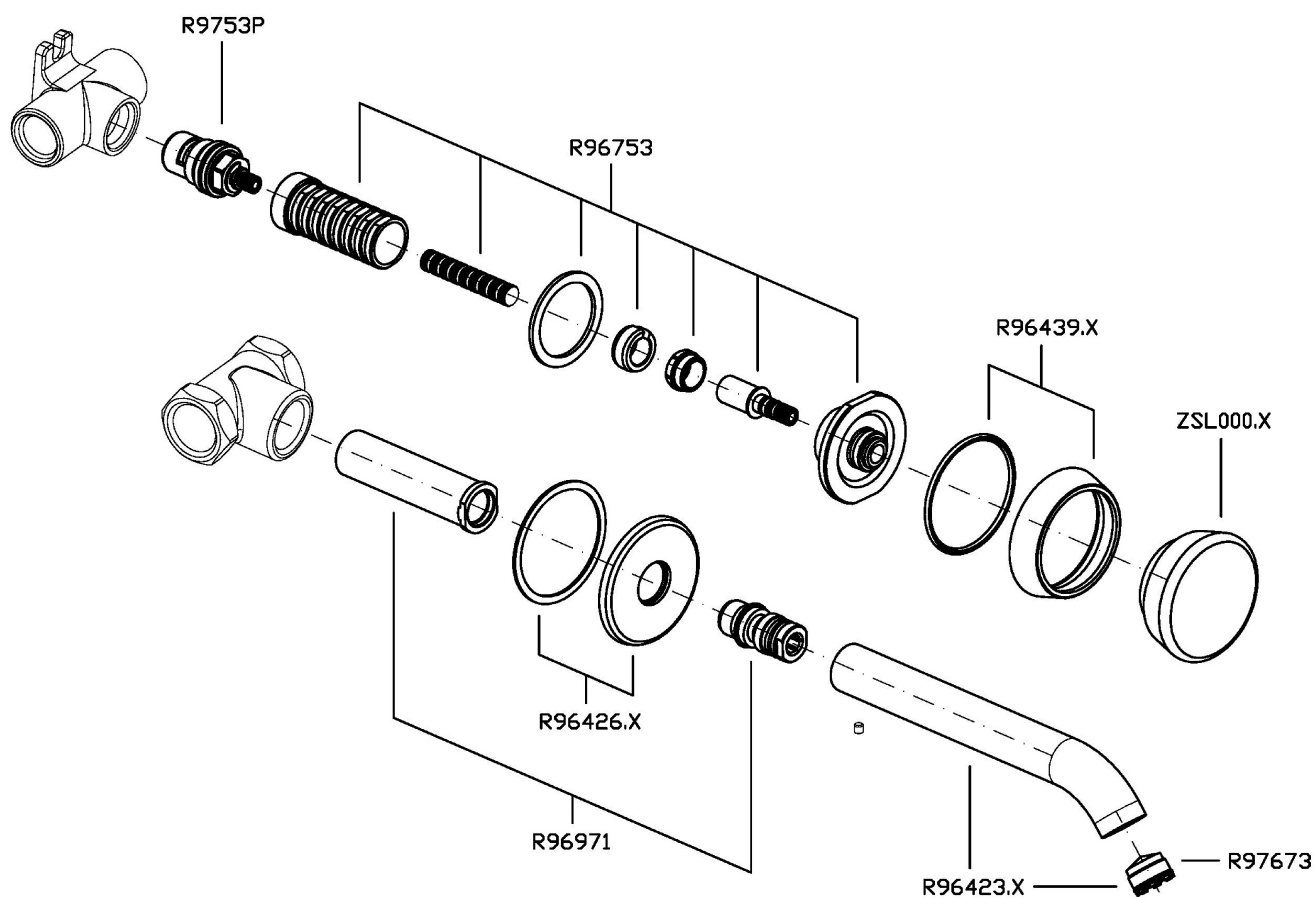
Disegno Complessivo / Overall Drawing



SABLIER

ZSL5782.X

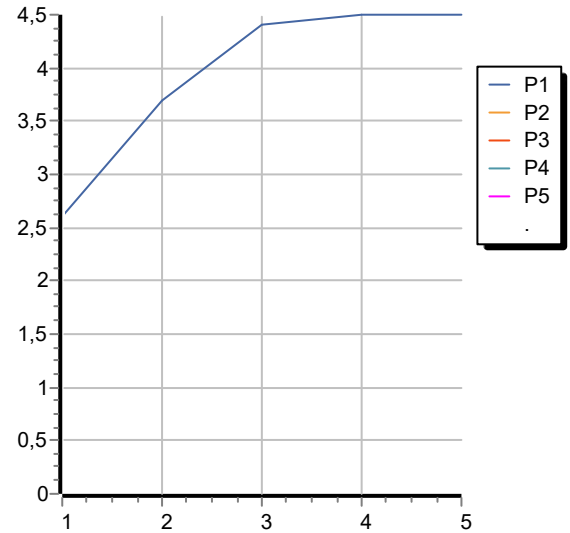
Esplosi / Exploded



SABLIER

ZSL5782.X Portate / Flowrates (lt/min)

PRESSIONE PRESSURE	1 BAR	2 BAR	3 BAR	4 BAR	5 BAR
P1 LAVABO BASIN	2,6	3,7	4,4	4,5	4,5
P2					
P3					
P4					
P5					



SABLIER

ZSL5782.X Pesi e Misure / Weights and Sizes

Peso (Kg) Weight (lb)	2,50 (Kg)	5,51 (lb)
Volume test (dc3) - (in3)	11,01 (dc3)	671,87 (in3)
h (mm) - (in)	90,00 (mm)	3,54 (in)
L1 (mm) - (in)	335,00 (mm)	13,19 (in)
L2 (mm) - (in)	365,00 (mm)	14,37 (in)

