

## SAVOIR

ZSA646.CN

Termostatico incasso doccia con deviatore 2/3 vie. / Built-in therm. shower mixer, 2/3 way diverter.



Termostatico incasso doccia da 1/2" e deviatore a 2/3 vie con apertura/chiusura acqua.

1/2" built-in thermostatic shower mixer and 2/3 way diverter with water on/off function.

R97810

Parte incasso termostatico 2 vie / Built-in part -  
2 way thermostatic mixer



R97815

Parte incasso termostatico 3 vie / Built-in part -  
3 way thermostatic mixer



## Finiture / Finishes



CN

Cromo + Nero / Chrome  
+ Black



CC

Cromo + Cromo / Chrome  
+ Chrome



CW

Cromo + Bianco / Chrome  
+ White



C8C8

Nickel Lucido / Polished  
Nickel



C8W

Nickel Lucido+Bianco /  
Polished Nickel+White



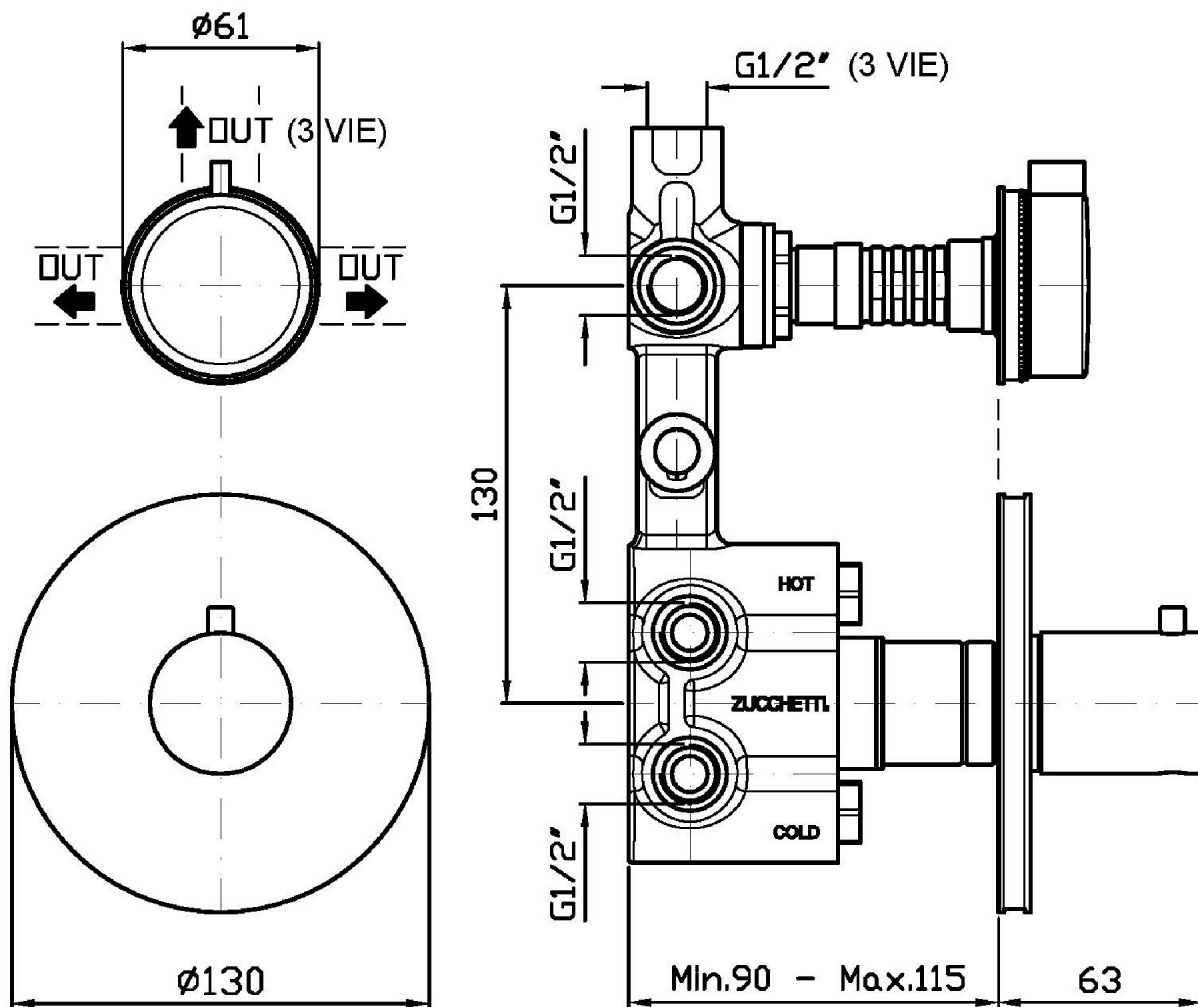
C8N

Nickel Lucido+Nero /  
Polished Nickel+Black

## SAVOIR

ZSA646.CN

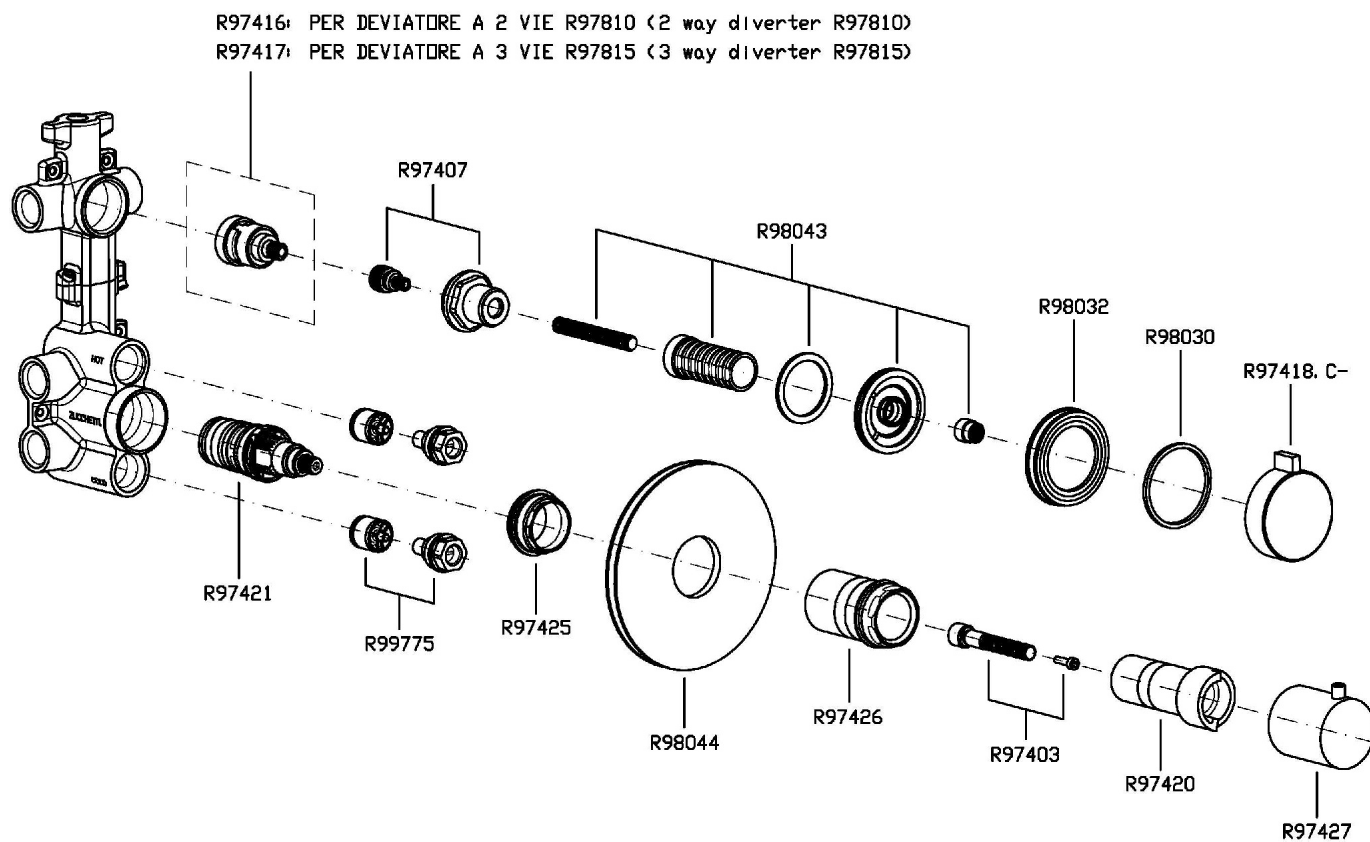
Disegno Complessivo / Overall Drawing



## SAVOIR

ZSA646.CN

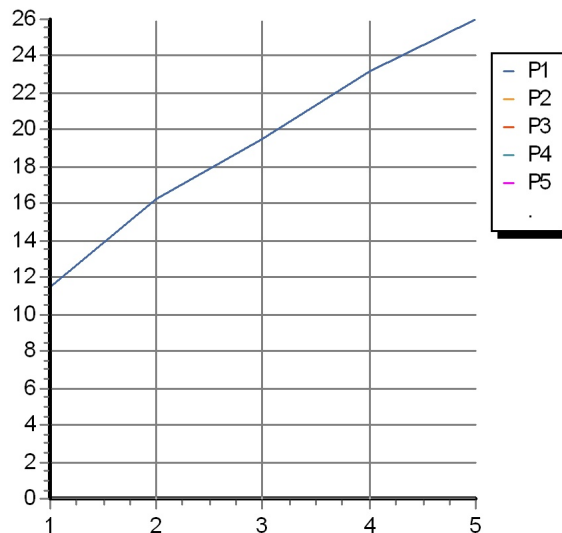
Esplosi / Exploded



## SAVOIR

ZSA646.CN Portate / Flowrates (lt/min)

PRESSIONE PRESSURE	1 BAR	2 BAR	3 BAR	4 BAR	5 BAR
DEVIATORE <i>P1</i>	11,5	16,2	19,5	23,2	26
<i>P2</i>					
<i>P3</i>					
<i>P4</i>					
<i>P5</i>					



## SAVOIR

ZSA646.CN Pesi e Misure / Weights and Sizes

Peso ( Kg ) Weight ( lb )	1,85 ( Kg )	4,08 ( lb )
Volume test ( dc3 ) - ( in3 )	11,01 ( dc3 )	671,87 ( in3 )
h ( mm ) - ( in )	90,00 ( mm )	3,54 ( in )
L1 ( mm ) - ( in )	335,00 ( mm )	13,19 ( in )
L2 ( mm ) - ( in )	365,00 ( mm )	14,37 ( in )

