

PAN S

ZPA5806

Termostatico incasso doccia con deviatore 2/3 vie. / Built-in thermostatic shower mixer, 2/3 way diverter.



Termostatico incasso doccia da 3/4" e deviatore a 2/3 vie con apertura/chiusura acqua.
Installazione possibile sia in verticale che in orizzontale.

3/4" built-in thermostatic shower mixer and 2/3 way diverter with water on/off function.
Both vertical and horizontal installation possible.

R96734

Parte incasso, deviatore a 2 vie. / Built-in part,
2 way diverter



R96735

Parte incasso, deviatore a 3 vie. / Built-in part,
3 way diverter.



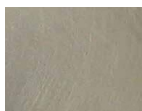
PAN S

ZPA5806

Finiture / Finishes

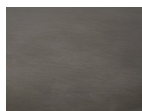


Cromo / Chrome



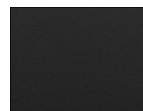
C3

Nickel Spazzolato / Brushed Nickel



C51

Metal Black spazzolato / Brushed Metal Black



N6

Nero opaco / Matt black



P21

PVD brushed chocolate / PVD brushed chocolate



P31

Brushed PVD British gold / Brushed PVD British gold



P81

Brushed total black PVD / Brushed total black PVD



J3

Glossy gesso / Glossy gesso



K7

Pearl cipria / Pearl cipria



R6

Pearl chili / Pearl chili



V7

Pearl salvia / Pearl salvia



V8

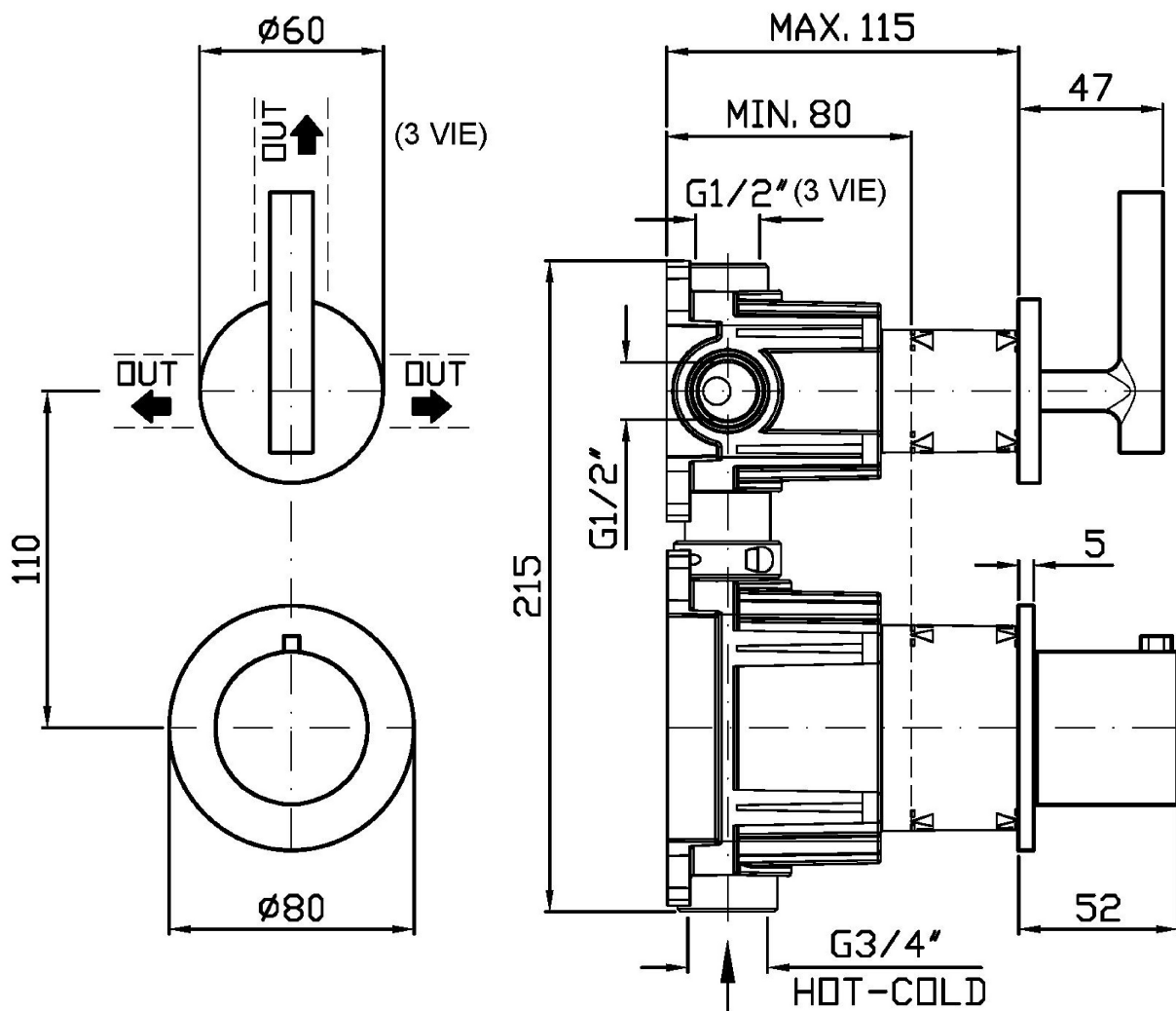
Matt mirto / Matt mirto

Note / Notes

PAN S

ZPA5806

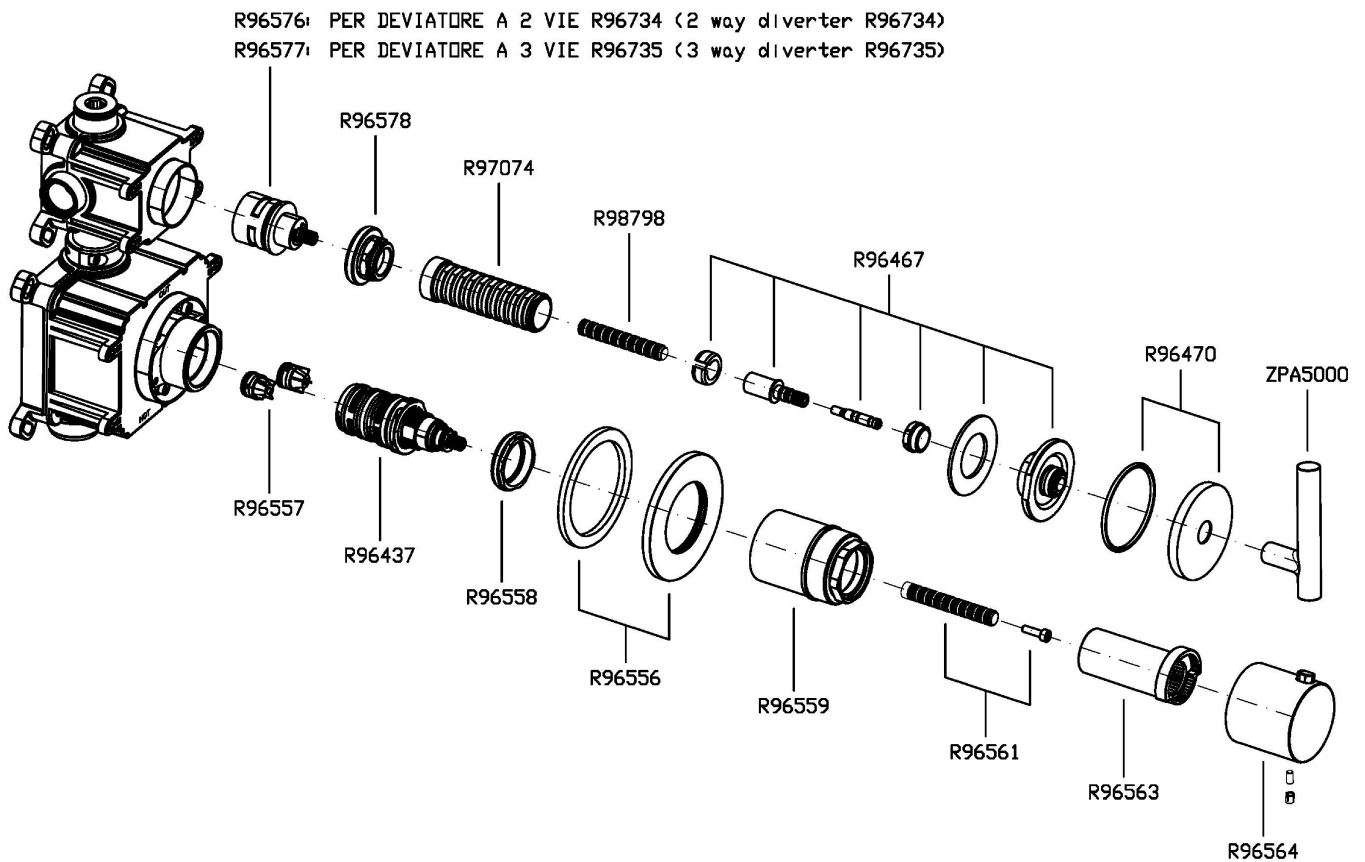
Disegno Complessivo / Overall Drawing



PAN S

ZPA5806

Esplosi / Exploded

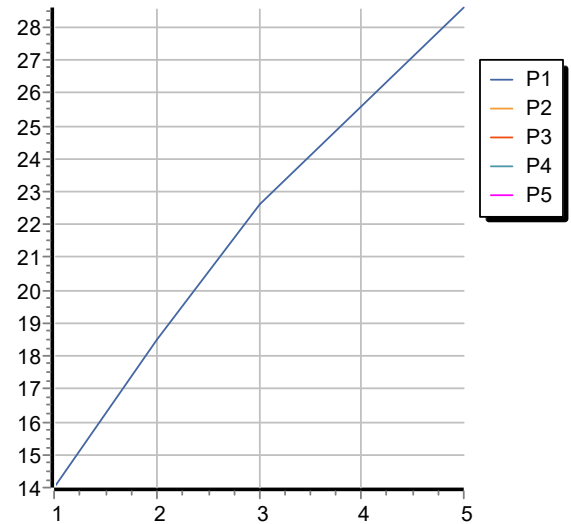


PAN S

ZPA5806

Portate / Flowrates (lt/min)

PRESSIONE PRESSURE	1 BAR	2 BAR	3 BAR	4 BAR	5 BAR
DEVIATORE DIVERTER	14	18,5	22,6	25,6	28,6
P1					
P2					
P3					
P4					
P5					



PAN S

ZPA5806

Pesi e Misure / Weights and Sizes

Peso (Kg) Weight (lb)	1,43 (Kg)	3,15 (lb)
Volume test (dc3) - (in3)	7,50 (dc3)	457,68 (in3)
h (mm) - (in)	90,00 (mm)	3,54 (in)
L1 (mm) - (in)	250,00 (mm)	9,84 (in)
L2 (mm) - (in)	333,00 (mm)	13,11 (in)

