

PAN S

ZPA5802

Termostatico incasso doccia con 2 rubinetti d'arresto. / Built-in thermostatic shower mixer 2 stop valves.



Termostatico incasso doccia da 3/4", con 2 rubinetti d'arresto.
Installazione possibile sia in verticale che in orizzontale.

3/4" built-in thermostatic shower mixer with 2 stop valves.
Both vertical and horizontal installation possible.

R96731

Parte incasso / Built-in part



PAN S

ZPA5802

Finiture / Finishes



Cromo / Chrome



C3

Nickel Spazzolato / Brushed Nickel



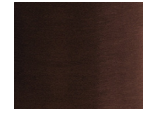
C51

Metal Black spazzolato / Brushed Metal Black



N6

Nero opaco / Matt black



P21

PVD brushed chocolate / PVD brushed chocolate



P31

Brushed PVD British gold / Brushed PVD British gold



P81

Brushed total black PVD / Brushed total black PVD



J3

Glossy gesso / Glossy gesso



K7

Pearl cipria / Pearl cipria



R6

Pearl chili / Pearl chili



V7

Pearl salvia / Pearl salvia



V8

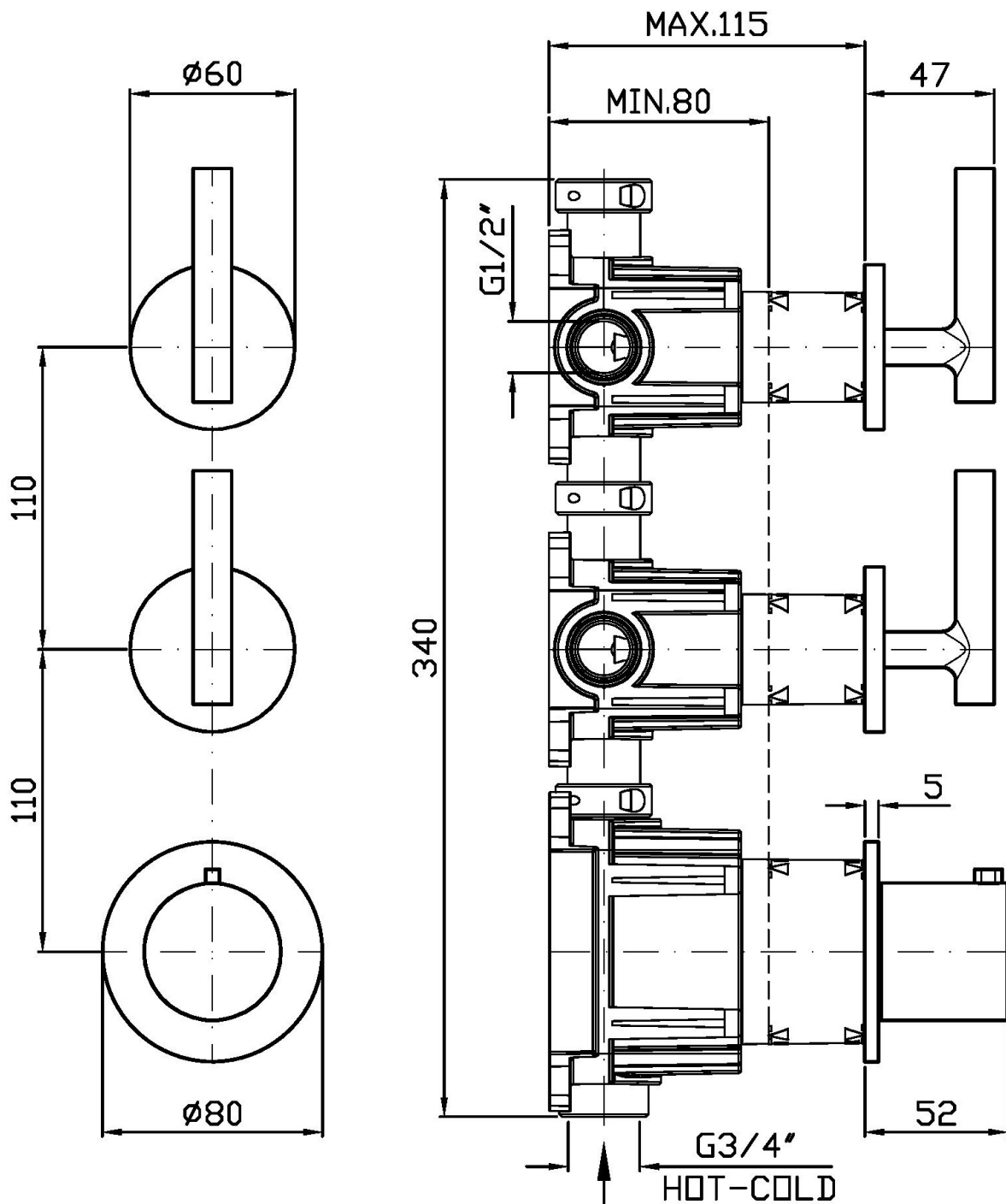
Matt mirto / Matt mirto

Note / Notes

PAN S

ZPA5802

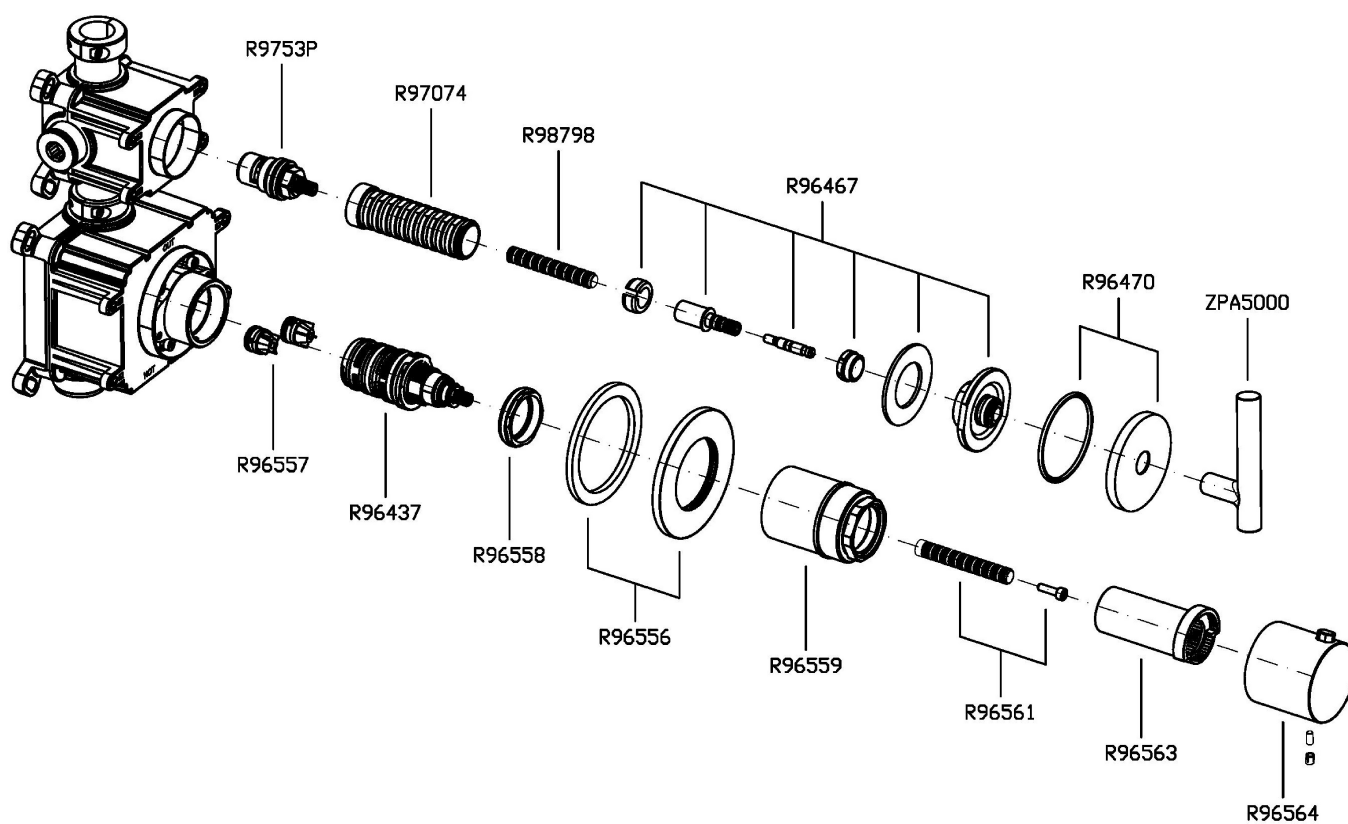
Disegno Complessivo / Overall Drawing



PAN S

ZPA5802

Esplosi / Exploded

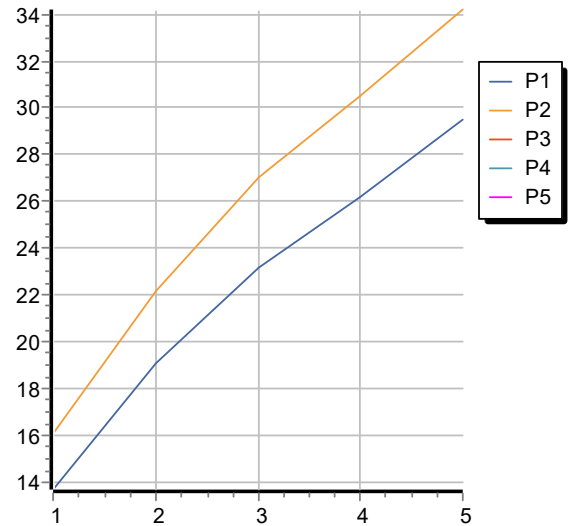


PAN S

ZPA5802

Portate / Flowrates (lt/min)

PRESSIONE PRESSURE	1 BAR	2 BAR	3 BAR	4 BAR	5 BAR
1 RUBINETTO APERTO P1 1 TAP OPENED	13,7	19,1	23,2	26,2	29,5
2 RUBINETTO APERTI P2 2 TAPS OPENED	16,1	22,2	27	30,5	34,2
P3					
P4					
P5					



PAN S

ZPA5802

Pesi e Misure / Weights and Sizes

Peso (Kg) Weight (lb)	1,91 (Kg)	4,21 (lb)
Volume test (dc3) - (in3)	7,50 (dc3)	457,68 (in3)
h (mm) - (in)	90,00 (mm)	3,54 (in)
L1 (mm) - (in)	250,00 (mm)	9,84 (in)
L2 (mm) - (in)	333,00 (mm)	13,11 (in)

