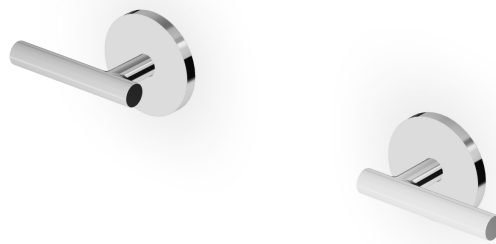


PAN S

ZPA5738

Batteria doccia incasso. / Built-in shower mixer.



Batteria doccia incasso a 2 fori.

2 hole built-in shower mixer.

PAN S

ZPA5738

Finiture / Finishes

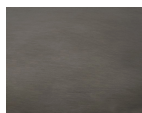


Cromo / Chrome



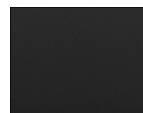
C3

Nickel Spazzolato / Brushed Nickel



C51

Metal Black spazzolato / Brushed Metal Black



N6

Nero opaco / Matt black



P21

PVD brushed chocolate / PVD brushed chocolate



P31

Brushed PVD British gold / Brushed PVD British gold



P81

Brushed total black PVD / Brushed total black PVD



J3

Glossy gesso / Glossy gesso



K7

Pearl cipria / Pearl cipria



R6

Pearl chili / Pearl chili



V7

Pearl salvia / Pearl salvia



V8

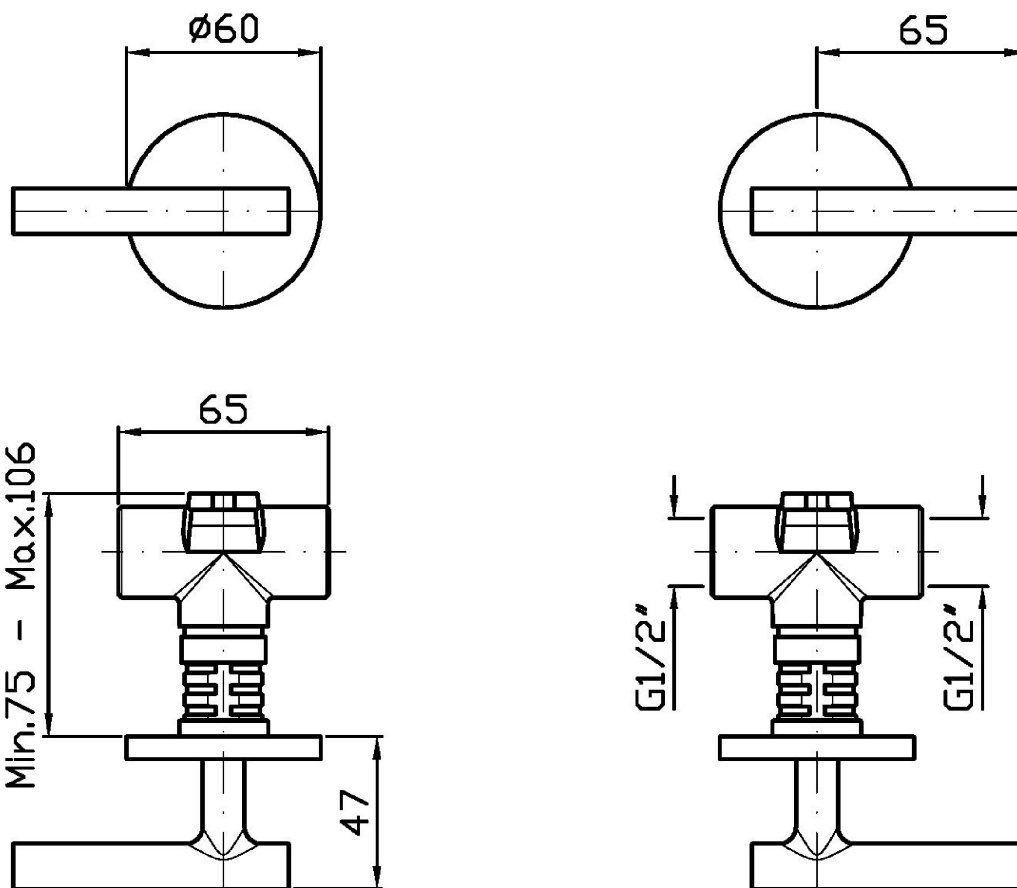
Matt mirto / Matt mirto

Note / Notes

PAN S

ZPA5738

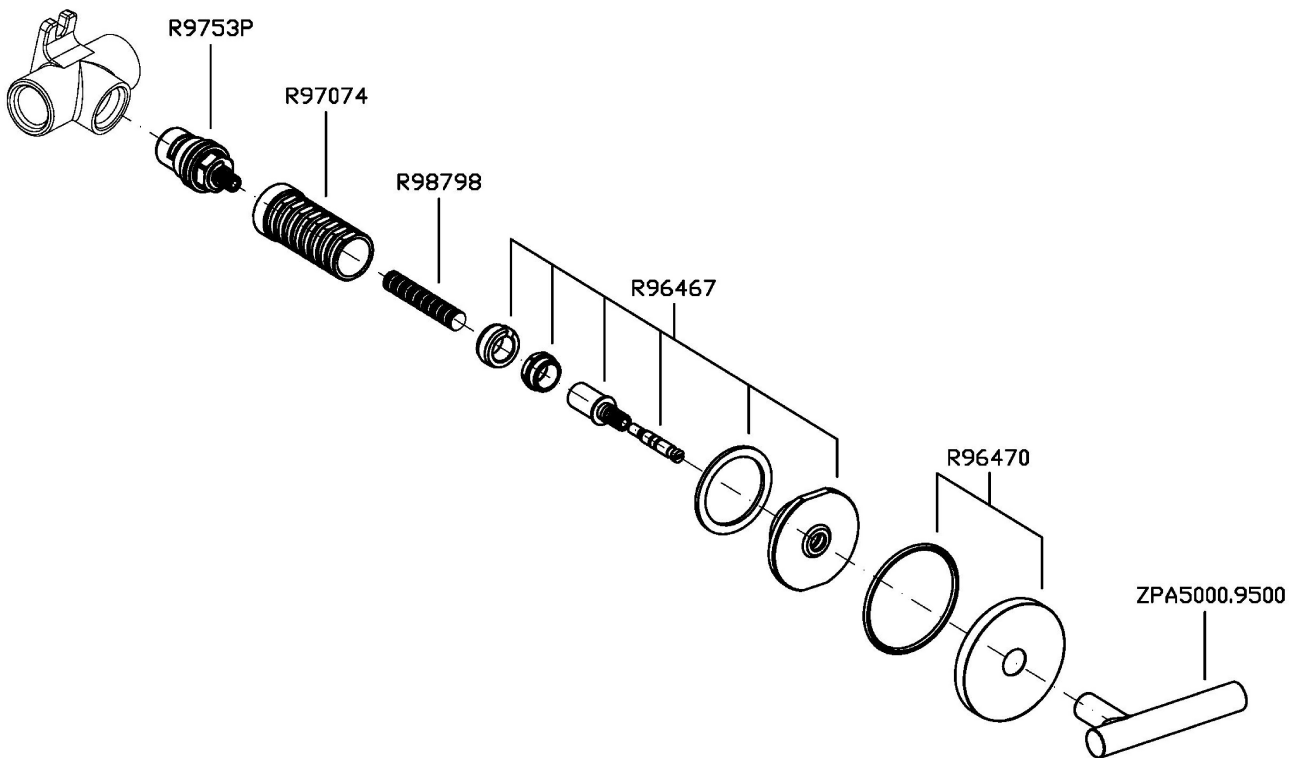
Disegno Complessivo / Overall Drawing



PAN S

ZPA5738

Esplosi / Exploded

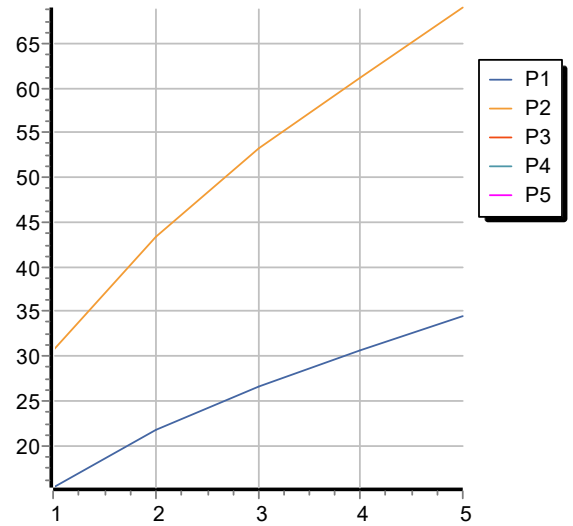


PAN S

ZPA5738

Portate / Flowrates (lt/min)

PRESSIONE PRESSURE	1 BAR	2 BAR	3 BAR	4 BAR	5 BAR
1 RUBINETTO APERTO P1 1 TAP OPENED	15,3	21,7	26,6	30,6	34,5
2 RUBINETTO APERTI P2 2 TAPS OPENED	30,6	43,4	53,2	61,2	69
P3					
P4					
P5					



PAN S

ZPA5738

Pesi e Misure / Weights and Sizes

Peso (Kg) Weight (lb)	1,45 (Kg)	3,20 (lb)
Volume test (dc3) - (in3)	7,50 (dc3)	457,68 (in3)
h (mm) - (in)	90,00 (mm)	3,54 (in)
L1 (mm) - (in)	250,00 (mm)	9,84 (in)
L2 (mm) - (in)	333,00 (mm)	13,11 (in)

