

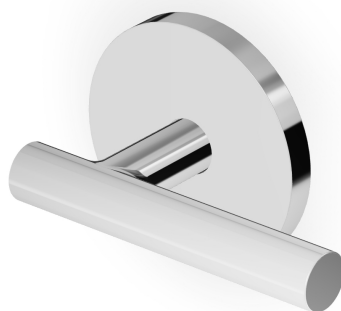
Marchio / Brand ZUCCHETTI

Classe / Class WW

PAN S

ZPA5729

Rubinetto incasso. / Wall valve.



Rubinetto incasso da 1/2".


1/2" wall valve.

R99779

Parte incasso. / Built-in part.



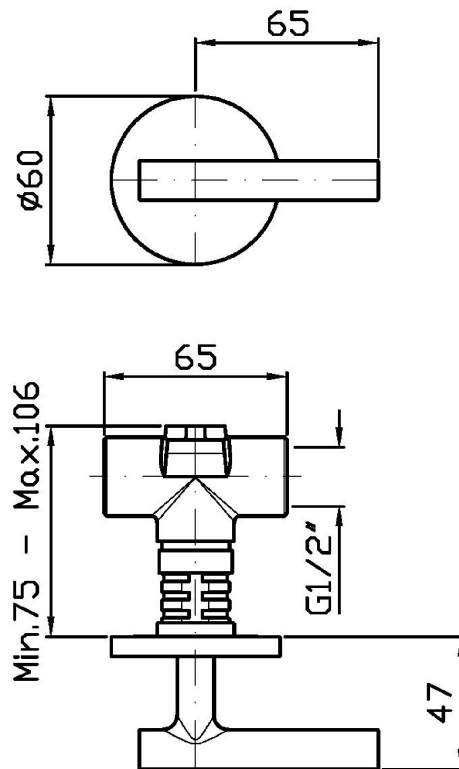
Finiture / Finishes

 Croma / Chrome	 C3 Nickel Spazzolato / Brushed Nickel	 C51 Metal Black spazzolato / Brushed Metal Black	 N6 Nero opaco / Matt black	 P21 PVD brushed chocolate / PVD brushed chocolate	 P31 Brushed PVD British gold / Brushed PVD British gold	 P81 Brushed total black PVD / Brushed total black PVD
 J3 Glossy gesso / Glossy gesso	 K7 Pearl cipria / Pearl cipria	 R6 Pearl chili / Pearl chili	 V7 Pearl salvia / Pearl salvia	 V8 Matt mirto / Matt mirto		

PAN S

ZPA5729

Disegno Complessivo / Overall Drawing



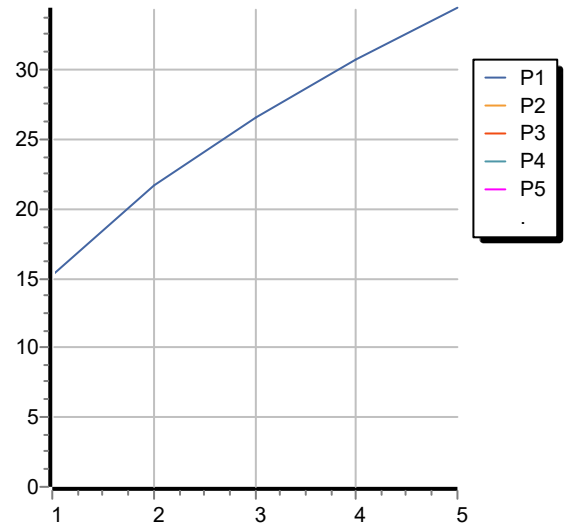
Note / Notes

PAN S

ZPA5729

Portate / Flowrates (lt/min)

PRESSIONE PRESSURE	1 BAR	2 BAR	3 BAR	4 BAR	5 BAR
1 RUBINETTO APERTO <i>P1</i>	15,3	21,7	26,6	30,7	34,5
<i>P2</i>					
<i>P3</i>					
<i>P4</i>					
<i>P5</i>					



PAN S

ZPA5729

Pesi e Misure / Weights and Sizes

Peso (Kg) Weight (lb)	0,68 (Kg)	1,50 (lb)
Volume test (dc3) - (in3)	1,21 (dc3)	73,84 (in3)
h (mm) - (in)	73,00 (mm)	2,87 (in)
L1 (mm) - (in)	127,00 (mm)	5,00 (in)
L2 (mm) - (in)	130,00 (mm)	5,12 (in)

