

PAN S

ZPA431

Miscelatore monocomando lavabo incasso 2 fori. / 2 hole built-in single lever basin mixer.



Miscelatore monocomando lavabo incasso 2 fori, con aeratore. Lunghezza bocca 220 mm.
Water Saving - portata d'acqua uguale o inferiore a 6 l/min.



2 hole built-in single lever basin mixer with aerator. Spout projection 220 mm.
Water Saving - water flow rate of 6 l/min or less.

R96720

Parte incasso / Built-in part



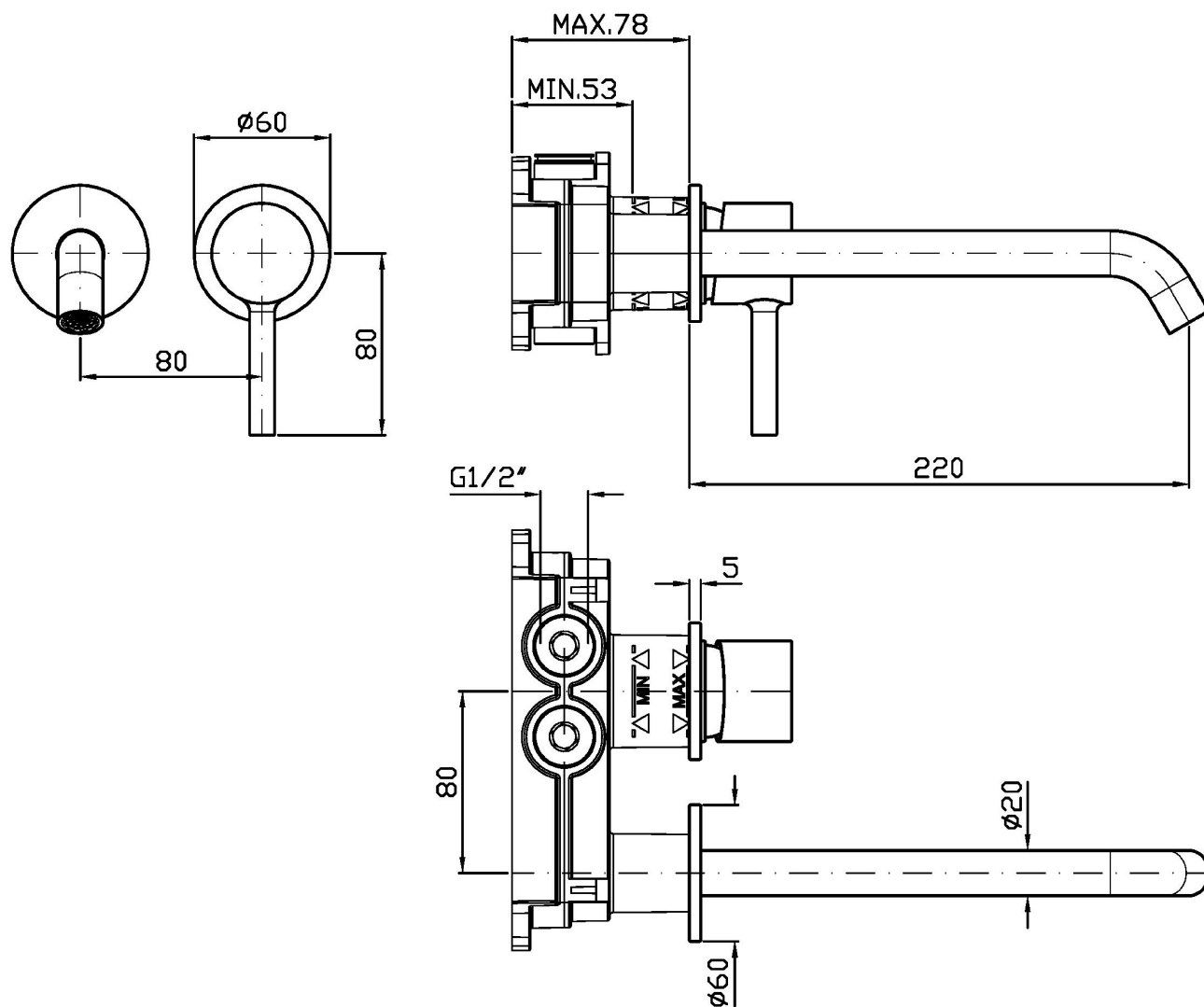
Finiture / Finishes

	 C3	 C51	 N6	 P21	 P31	 P81
Cromo / Chrome	Nickel Spazzolato / Brushed Nickel	Metal Black spazzolato / Brushed Metal Black	Nero opaco / Matt black	PVD brushed chocolate / PVD brushed chocolate	Brushed PVD British gold / Brushed PVD British gold	Brushed total black PVD / Brushed total black PVD
 J3	 K7	 R6	 V7	 V8		
Glossy gesso / Glossy gesso	Pearl cipria / Pearl cipria	Pearl chili / Pearl chili	Pearl salvia / Pearl salvia	Matt mirto / Matt mirto		

PAN S

ZPA431

Disegno Complessivo / Overall Drawing



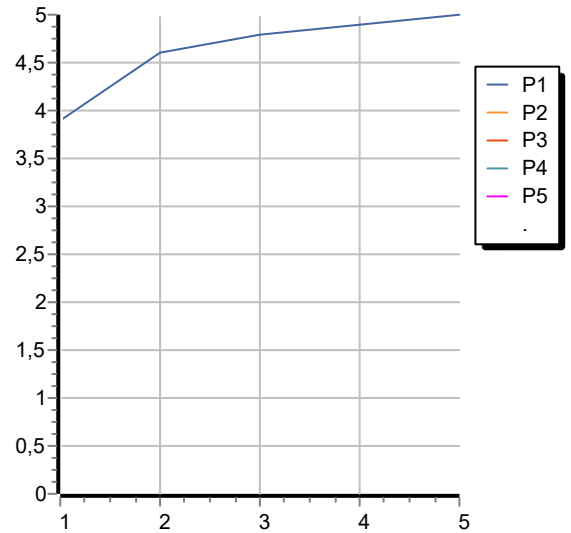
Note / Notes

PAN S

ZPA431

Portate / Flowrates (lt/min)

PRESSIONE PRESSURE	1 BAR	2 BAR	3 BAR	4 BAR	5 BAR
LAVABO BASIN	3,9	4,6	4,8	4,9	5
P1					
P2					
P3					
P4					
P5					



PAN S

ZPA431

Pesi e Misure / Weights and Sizes

Peso (Kg) Weight (lb)	0,90 (Kg)	1,98 (lb)
Volume test (dc3) - (in3)	4,05 (dc3)	247,15 (in3)
h (mm) - (in)	70,00 (mm)	2,76 (in)
L1 (mm) - (in)	150,00 (mm)	5,91 (in)
L2 (mm) - (in)	385,00 (mm)	15,16 (in)

