

PAN S

ZPA417

Idroscopino wc/bidet completo di miscelatore monocomando incasso. / WC/bidet hydrobrush with built-in mixer.



Idroscopino wc/bidet completo di miscelatore monocomando incasso, doccetta shut-off in ottone, appendidoccia duplex e flessibile da 1200 mm.

Water Saving - portata d'acqua uguale o inferiore a 6 l/min.

WC/bidet hydrobrush with built-in single lever mixer, brass shut-off handshower, handshower support and 1200 mm flexible hose.

Water Saving - water flow rate of 6 l/min or less.

R96720



Parte incasso / Built-in part

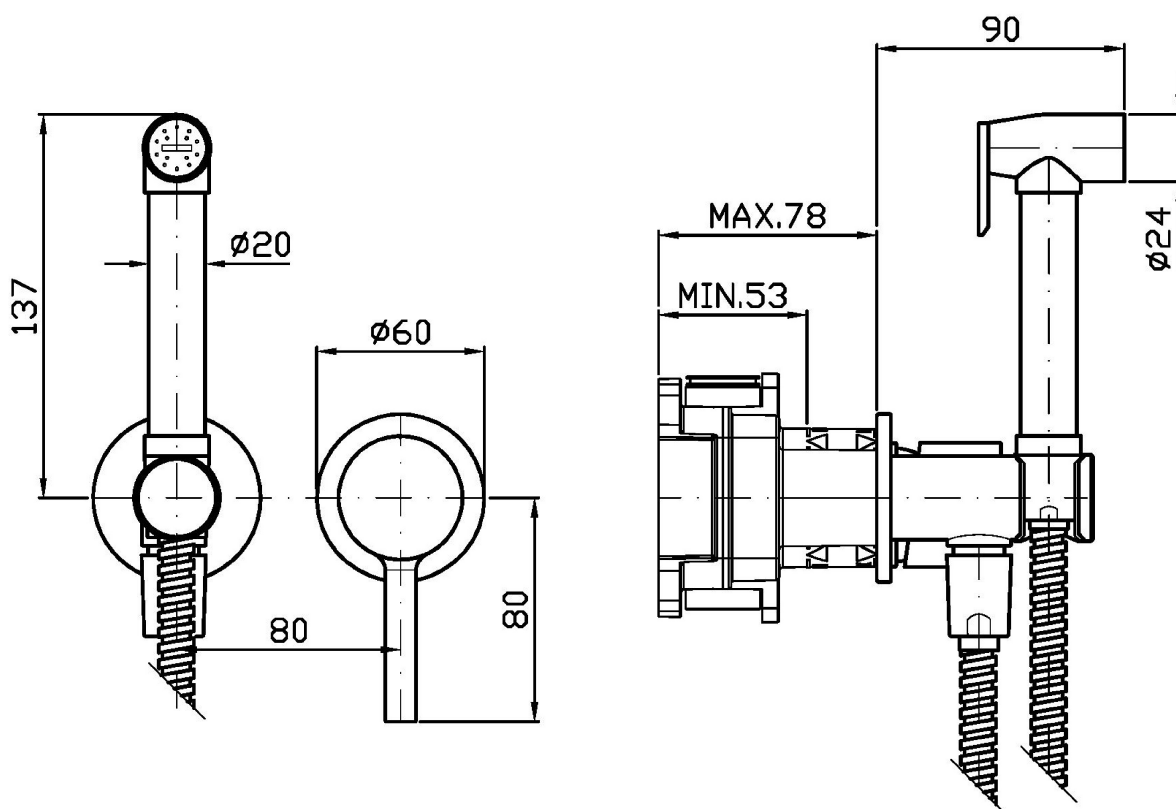
Finiture / Finishes

	 C3	 C51	 N6	 P21	 P31	 P81
Cromo / Chrome	Nickel Spazzolato / Brushed Nickel	Metal Black spazzolato / Brushed Metal Black	Nero opaco / Matt black	PVD brushed chocolate / PVD brushed chocolate	Brushed PVD British gold / Brushed PVD British gold	Brushed total black PVD / Brushed total black PVD
 J3	 K7	 R6	 V7	 V8		
Glossy gesso / Glossy gesso	Pearl cipria / Pearl cipria	Pearl chili / Pearl chili	Pearl salvia / Pearl salvia	Matt mirto / Matt mirto		

PAN S

ZPA417

Disegno Complessivo / Overall Drawing



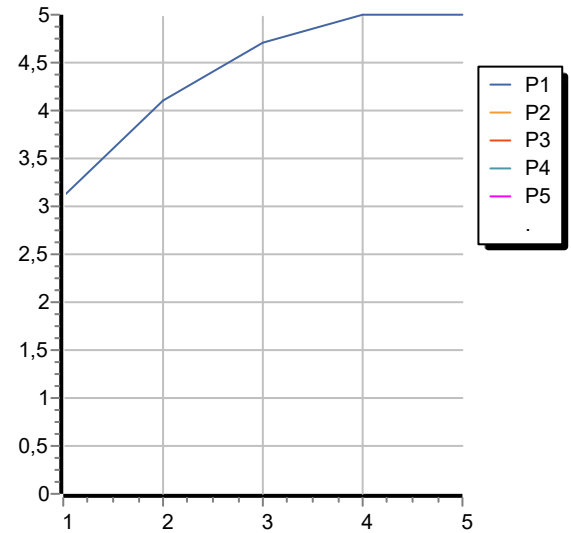
Note / Notes

PAN S

ZPA417

Portate / Flowrates (lt/min)

PRESSIONE PRESSURE	1 BAR	2 BAR	3 BAR	4 BAR	5 BAR
DOCCETTA HANDSHOWER P1	3,1	4,1	4,7	5	5
P2					
P3					
P4					
P5					



PAN S

ZPA417

Pesi e Misure / Weights and Sizes

Peso (Kg) Weight (lb)	1,20 (Kg)	2,65 (lb)
Volume test (dc3) - (in3)	4,05 (dc3)	247,15 (in3)
h (mm) - (in)	70,00 (mm)	2,76 (in)
L1 (mm) - (in)	150,00 (mm)	5,91 (in)
L2 (mm) - (in)	385,00 (mm)	15,16 (in)

