

## PAN

ZP6122

Miscelatore monocomando doccia incasso. / Built-in single lever shower mixer.



Miscelatore monocomando doccia incasso.



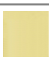
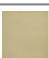
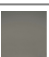
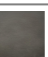



Built-in single lever shower mixer.

R99499

Parte incasso. / Built-in part.



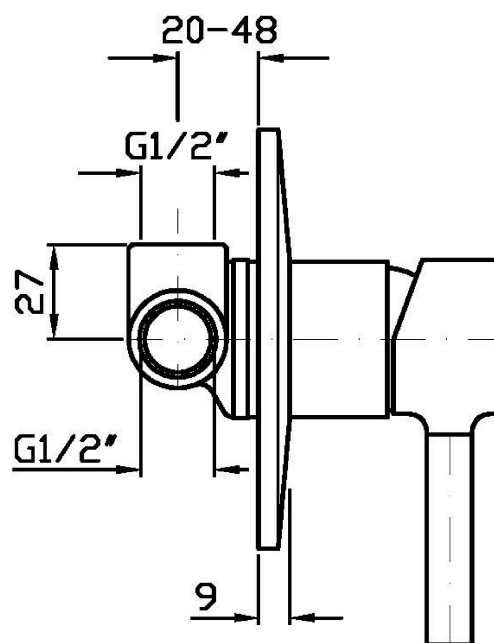
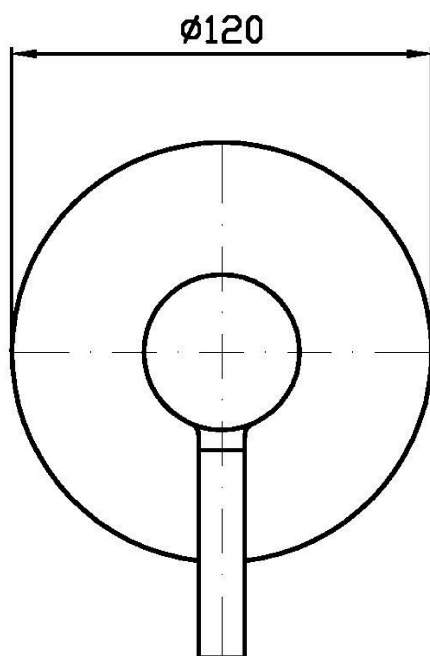
## Finiture / Finishes

 Cromo / Chrome	 C3 Nickel Spazzolato / Brushed Nickel	 C8 Nickel Lucido / Polished Nickel	 C40 Oro / Gold	 C41 Oro spazzolato / Brushed Gold	 C50 Metal Black / Metal Black	 C51 Metal Black spazzolato / Brushed Metal Black	 W1 Bianco Opaco Goffrato / Embossed Matt White
 N1 Nero Opaco Goffrato / Embossed Matt Black	 N6 Nero opaco / Matt black						

## PAN

ZP6122

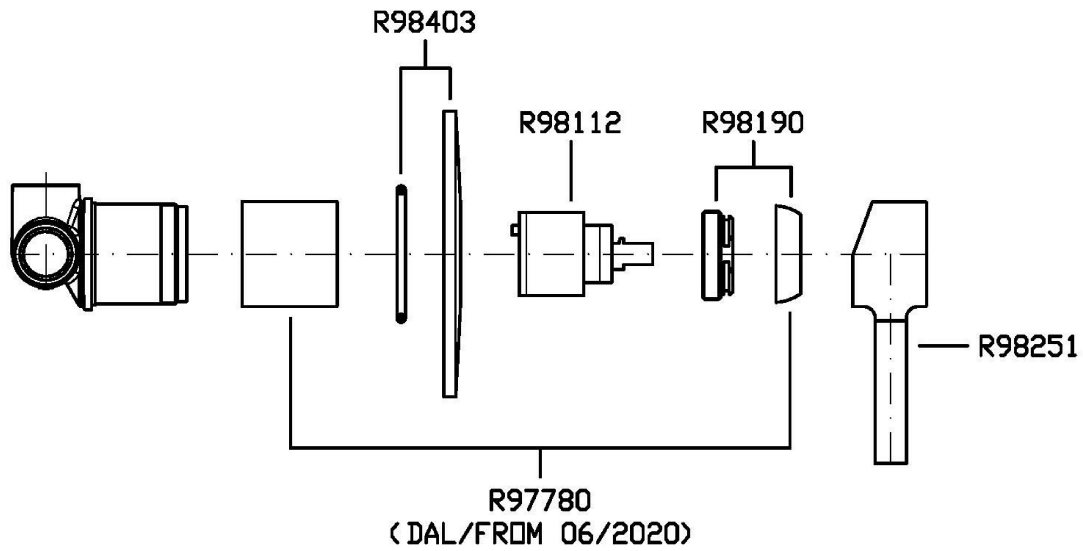
Disegno Complessivo / Overall Drawing



## PAN

ZP6122

Esplosi / Exploded



## PAN

ZP6122

Certificazioni / Certifications

INGHILTERRA

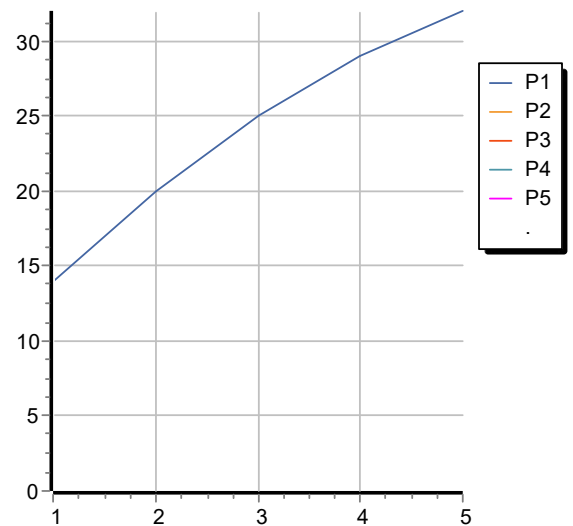
UK APPROVAL KIWA

## PAN

ZP6122

Portate / Flowrates (lt/min)

PRESSIONE PRESSURE	1 BAR	2 BAR	3 BAR	4 BAR	5 BAR
USCITA PRIMARIA PRIMARY OUTLET P1	14	20	25	29	32
P2					
P3					
P4					
P5					



## PAN

ZP6122

Pesi e Misure / Weights and Sizes

Peso ( Kg ) Weight ( lb )	0,49 ( Kg )	1,09 ( lb )
Volume test ( dc3 ) - ( in3 )	1,21 ( dc3 )	73,84 ( in3 )
h ( mm ) - ( in )	73,00 ( mm )	2,87 ( in )
L1 ( mm ) - ( in )	127,00 ( mm )	5,00 ( in )
L2 ( mm ) - ( in )	130,00 ( mm )	5,12 ( in )

