

## OCTO X

ZOX806.X

Termostatico incasso doccia con deviatore 2/3 vie. / Built-in thermostatic shower mixer and 2/3 way diverter.



Termostatico incasso doccia da 3/4", in acciaio inox AISI 316L, e deviatore a 2/3 vie con apertura/chiusura acqua. Installazione possibile sia in verticale che in orizzontale.

3/4" built-in thermostatic shower mixer and 2/3 way diverter in AISI 316L stainless steel, with water on/off function. Both vertical and horizontal installation possible.

R96734

Parte incasso, deviatore a 2 vie. / Built-in part,  
2 way diverter



R96735

Parte incasso, deviatore a 3 vie. / Built-in part,  
3 way diverter.



## OCTO X

ZOX806.X

### Finiture / Finishes



**X**

Acciaio inox spazzolato /  
Brushed stainless steel



**XP21**

Brushed PVD chocolate /  
Brushed PVD chocolate



**XP31**

Brushed PVD British gold /  
Brushed PVD British gold



**XP41**

Brushed PVD gold / Brushed  
PVD gold



**XP81**

PVD Brushed Total Black /  
PVD Brushed Total Black



**XP91**

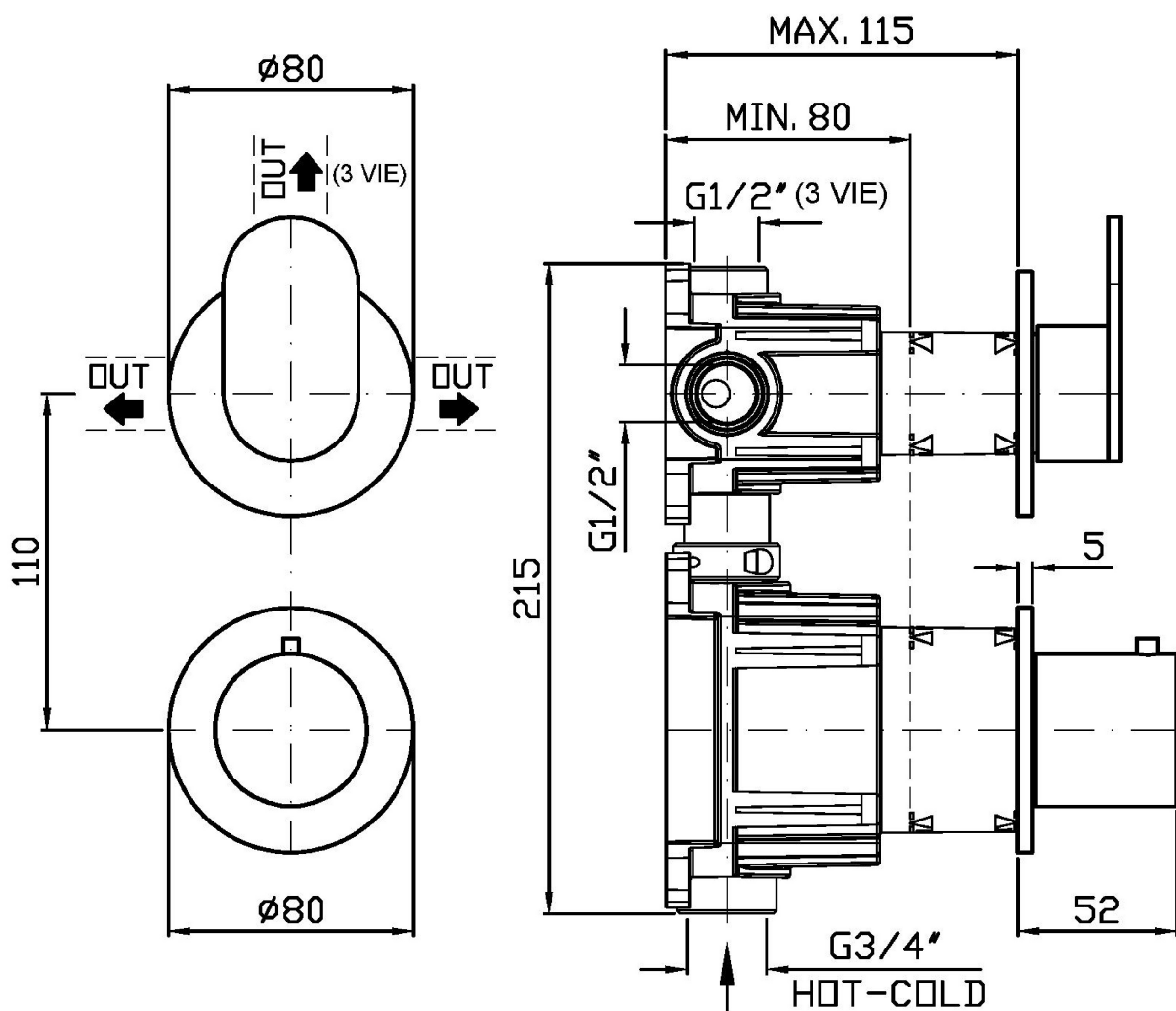
Brushed PVD copper /  
Brushed PVD copper

### Note / Notes

## OCTO X

ZOX806.X

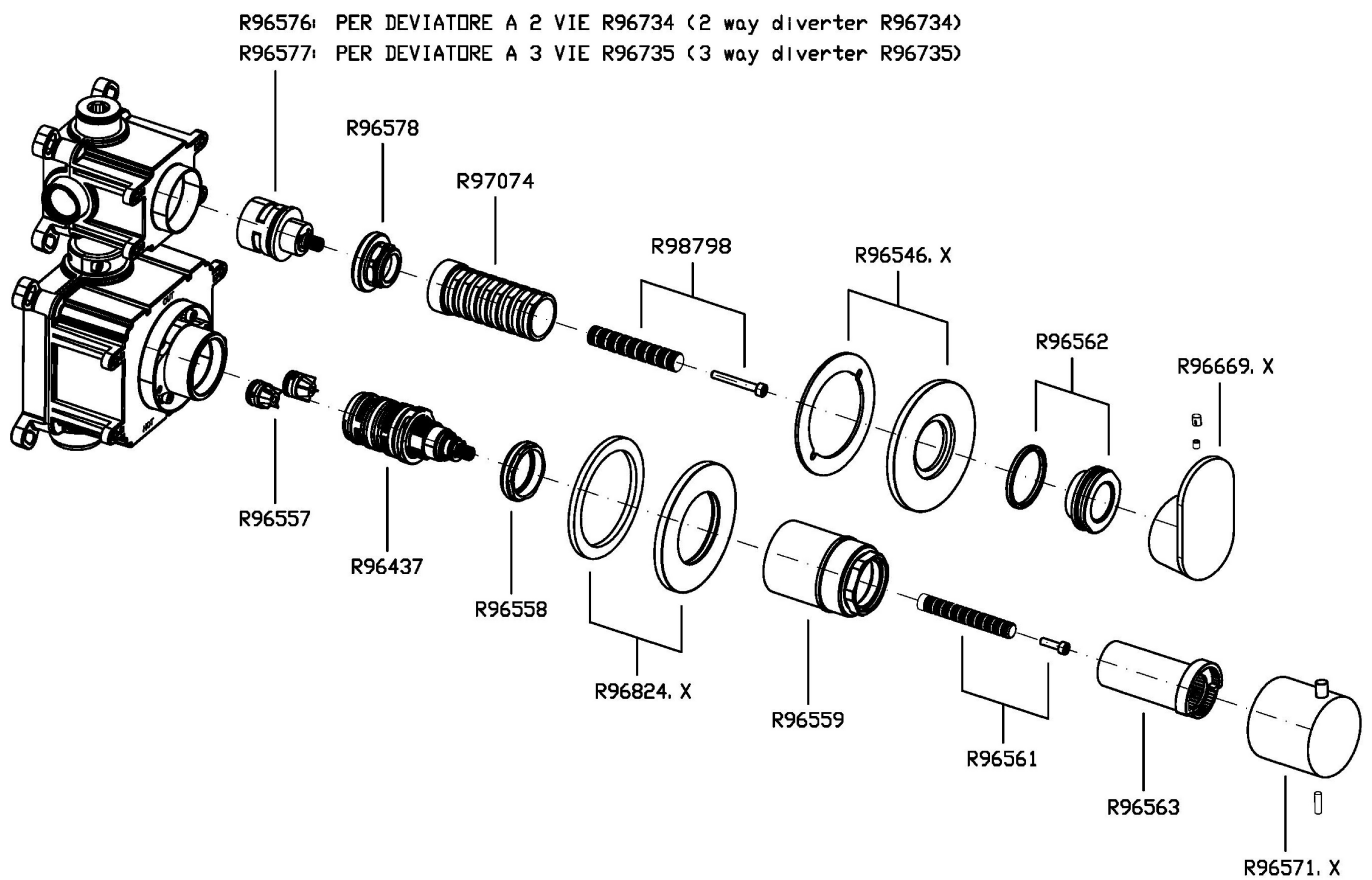
Disegno Complessivo / Overall Drawing



## OCTO X

ZOX806.X

Esplosi / Exploded

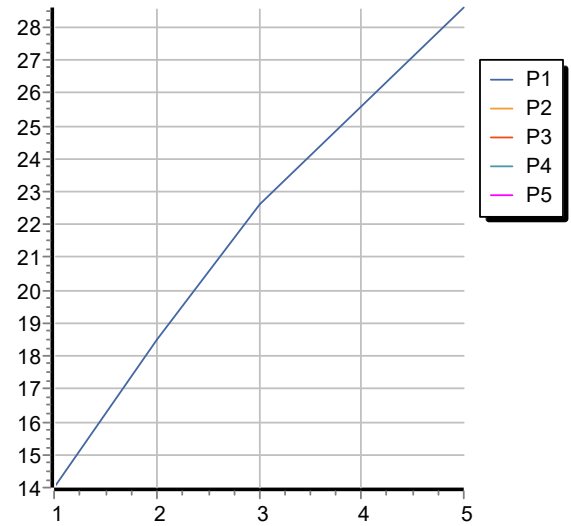


## OCTO X

ZOX806.X

Portate / Flowrates (lt/min)

PRESSIONE PRESSURE	1 BAR	2 BAR	3 BAR	4 BAR	5 BAR
DEVIATORE DIVERTER	14	18,5	22,6	25,6	28,6
P1					
P2					
P3					
P4					
P5					



## OCTO X

ZOX806.X

Pesi e Misure / Weights and Sizes

Peso ( Kg ) Weight ( lb )	1,40 ( Kg )	3,09 ( lb )
Volume test ( dc3 ) - ( in3 )	7,50 ( dc3 )	457,68 ( in3 )
h ( mm ) - ( in )	90,00 ( mm )	3,54 ( in )
L1 ( mm ) - ( in )	250,00 ( mm )	9,84 ( in )
L2 ( mm ) - ( in )	330,00 ( mm )	12,99 ( in )

