

## OCTO X

ZOX804.X

Termostatico incasso doccia con 4 rubinetti d'arresto. / Built-in thermostatic shower mixer with 4 stop valves.



Termostatico incasso doccia da 3/4", in acciaio inox AISI 316L, con 4 rubinetti d'arresto. Installazione possibile sia in verticale che in orizzontale.

3/4" built-in thermostatic shower mixer in AISI 316L stainless steel, with 4 stop valves. Both vertical and horizontal installation possible.

R96733

Parte incasso / Built-in part



## OCTO X

ZOX804.X

### Finiture / Finishes



**X**

Acciaio inox spazzolato /  
Brushed stainless steel



**XP21**

Brushed PVD chocolate /  
Brushed PVD chocolate



**XP31**

Brushed PVD British gold /  
Brushed PVD British gold



**XP41**

Brushed PVD gold / Brushed  
PVD gold



**XP81**

PVD Brushed Total Black /  
PVD Brushed Total Black



**XP91**

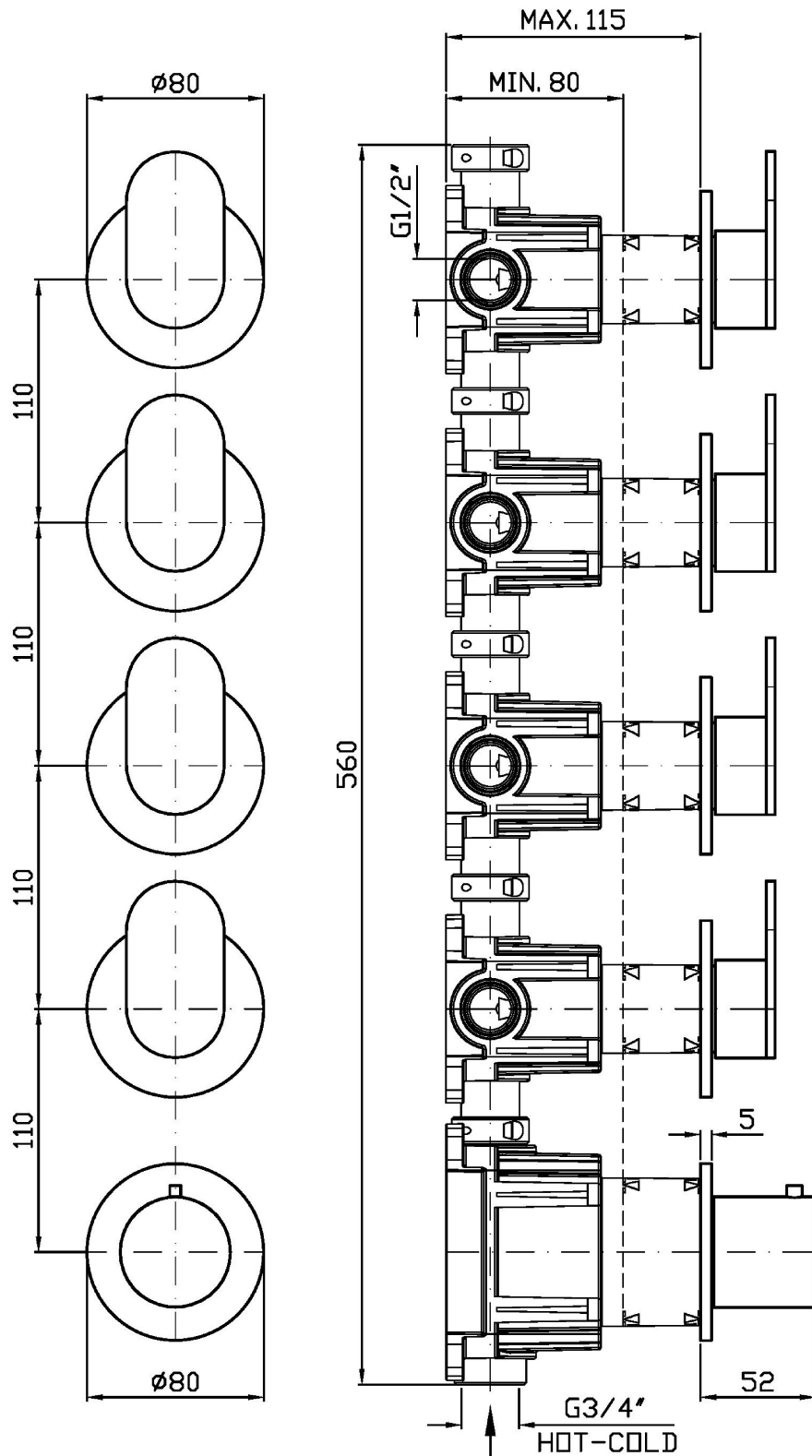
Brushed PVD copper /  
Brushed PVD copper

### Note / Notes

## OCTO X

ZOX804.X

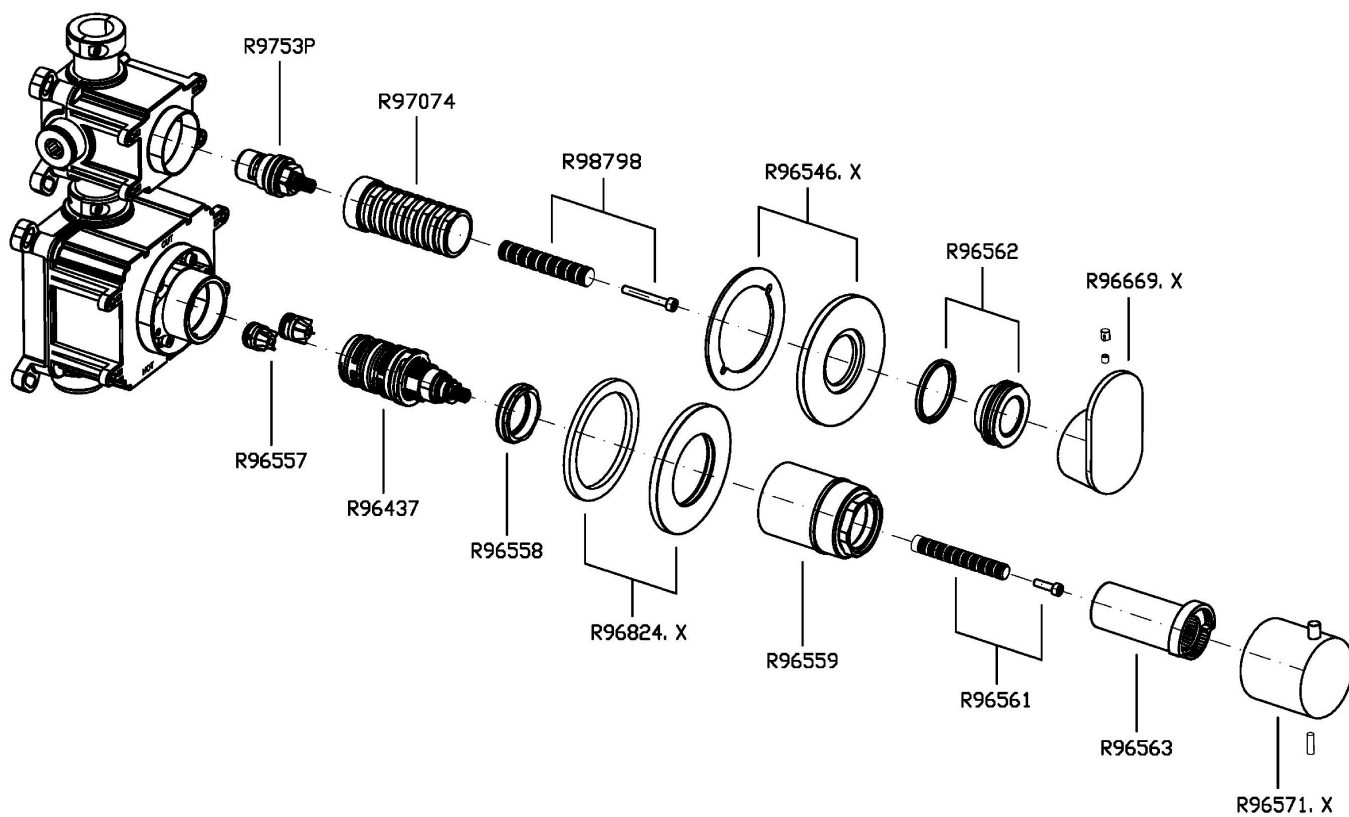
Disegno Complessivo / Overall Drawing



## OCTO X

ZOX804.X

Esplosi / Exploded

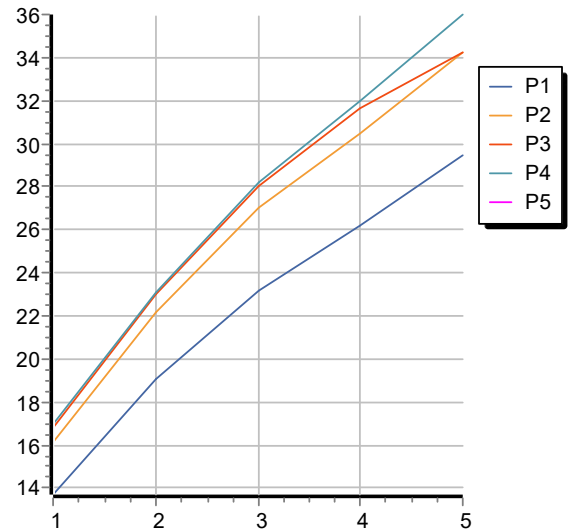


## OCTO X

ZOX804.X

Portate / Flowrates (lt/min)

PRESSIONE PRESSURE	1 BAR	2 BAR	3 BAR	4 BAR	5 BAR
1 RUBINETTO APERTO <i>P1</i> 1 TAP OPENED	13,7	19,1	23,2	26,2	29,5
2 RUBINETTO APERTI <i>P2</i> 2 TAPS OPENED	16,1	22,2	27	30,5	34,2
3 RUBINETTO APERTI <i>P3</i> 3 TAPS OPENED	16,8	23	28	31,6	34,2
4 RUBINETTO APERTI <i>P4</i> 4 TAPS OPENED	17	23,1	28,2	32	36
<i>P5</i>					



## OCTO X

ZOX804.X

Pesi e Misure / Weights and Sizes

Peso ( Kg ) Weight ( lb )	2,30 ( Kg )	5,07 ( lb )
Volume test ( dc3 ) - ( in3 )	15,13 ( dc3 )	923,29 ( in3 )
h ( mm ) - ( in )	140,00 ( mm )	5,51 ( in )
L1 ( mm ) - ( in )	180,00 ( mm )	7,09 ( in )
L2 ( mm ) - ( in )	600,00 ( mm )	23,62 ( in )

