

OCTO X

ZOX802.X

Termostatico incasso doccia con 2 rubinetti d'arresto. / Built-in thermostatic shower mixer with 2 stop valves.



Termostatico incasso doccia da 3/4", in acciaio inox AISI 316L, con 2 rubinetti d'arresto. Installazione possibile sia in verticale che in orizzontale.

3/4" built-in thermostatic shower mixer in AISI 316L stainless steel, with 2 stop valves. Both vertical and horizontal installation possible.

R96731

Parte incasso / Built-in part



OCTO X

ZOX802.X

Finiture / Finishes



X

Acciaio inox spazzolato /
Brushed stainless steel



XP21

Brushed PVD chocolate /
Brushed PVD chocolate



XP31

Brushed PVD British gold /
Brushed PVD British gold



XP41

Brushed PVD gold / Brushed
PVD gold



XP81

PVD Brushed Total Black /
PVD Brushed Total Black



XP91

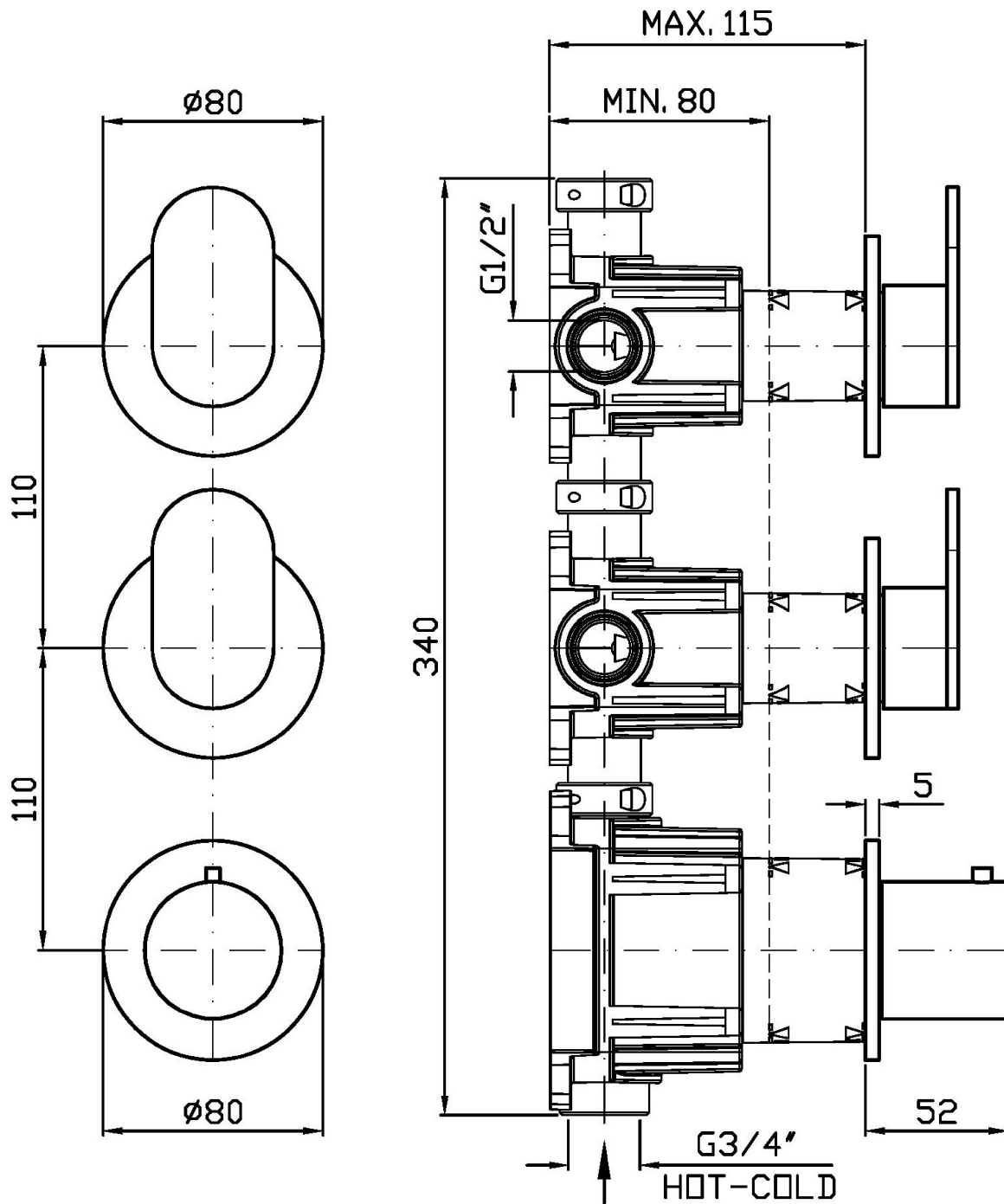
Brushed PVD copper /
Brushed PVD copper

Note / Notes

OCTO X

ZOX802.X

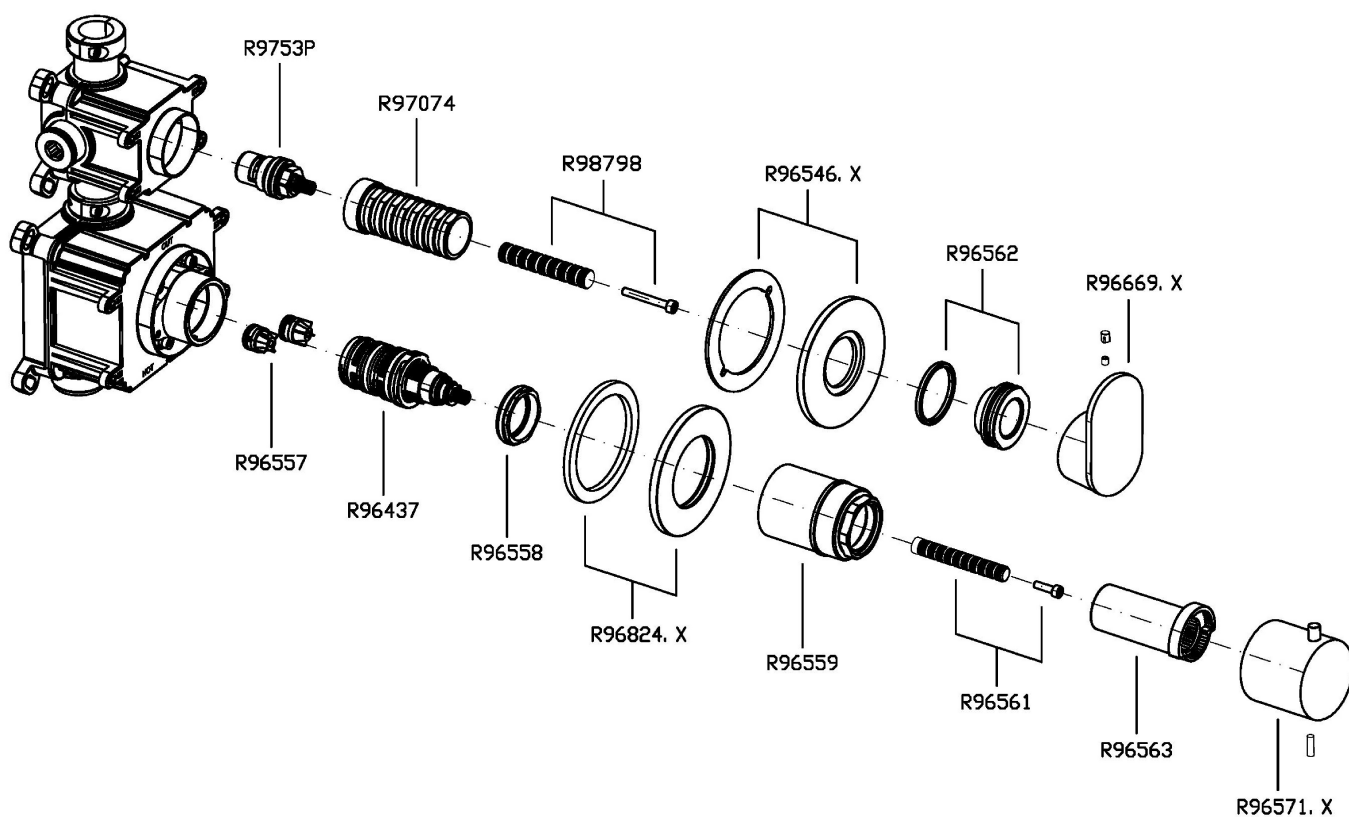
Disegno Complessivo / Overall Drawing



OCTO X

ZOX802.X

Esplosi / Exploded

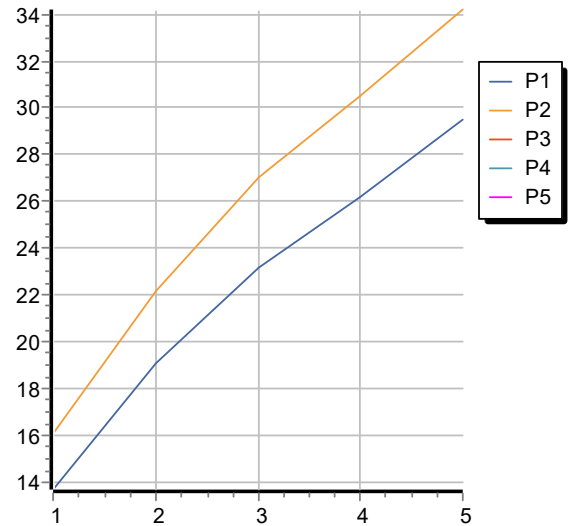


OCTO X

ZOX802.X

Portate / Flowrates (lt/min)

PRESSIONE PRESSURE	1 BAR	2 BAR	3 BAR	4 BAR	5 BAR
1 RUBINETTO APERTO P1 1 TAP OPENED	13,7	19,1	23,2	26,2	29,5
2 RUBINETTO APERTI P2 2 TAPS OPENED	16,1	22,2	27	30,5	34,2
P3					
P4					
P5					



OCTO X

ZOX802.X

Pesi e Misure / Weights and Sizes

Peso (Kg) Weight (lb)	1,70 (Kg)	3,75 (lb)
Volume test (dc3) - (in3)	7,50 (dc3)	457,68 (in3)
h (mm) - (in)	90,00 (mm)	3,54 (in)
L1 (mm) - (in)	250,00 (mm)	9,84 (in)
L2 (mm) - (in)	333,00 (mm)	13,11 (in)

