

OCTO X

ZOX801.X

Termostatico incasso doccia con un rubinetto d'arresto. / Built-in thermostatic shower mixer with stop valve.



Termostatico incasso doccia da 3/4", in acciaio inox AISI 316L, con un rubinetto d'arresto. Installazione possibile sia in verticale che in orizzontale.

3/4" built-in thermostatic shower mixer in AISI 316L stainless steel, with stop valve. Both vertical and horizontal installation possible.

R96730

Parte incasso / Built-in part



OCTO X

ZOX801.X

Finiture / Finishes



X

Acciaio inox spazzolato /
Brushed stainless steel



XP21

Brushed PVD chocolate /
Brushed PVD chocolate



XP31

Brushed PVD British gold /
Brushed PVD British gold



XP41

Brushed PVD gold / Brushed
PVD gold



XP81

PVD Brushed Total Black /
PVD Brushed Total Black



XP91

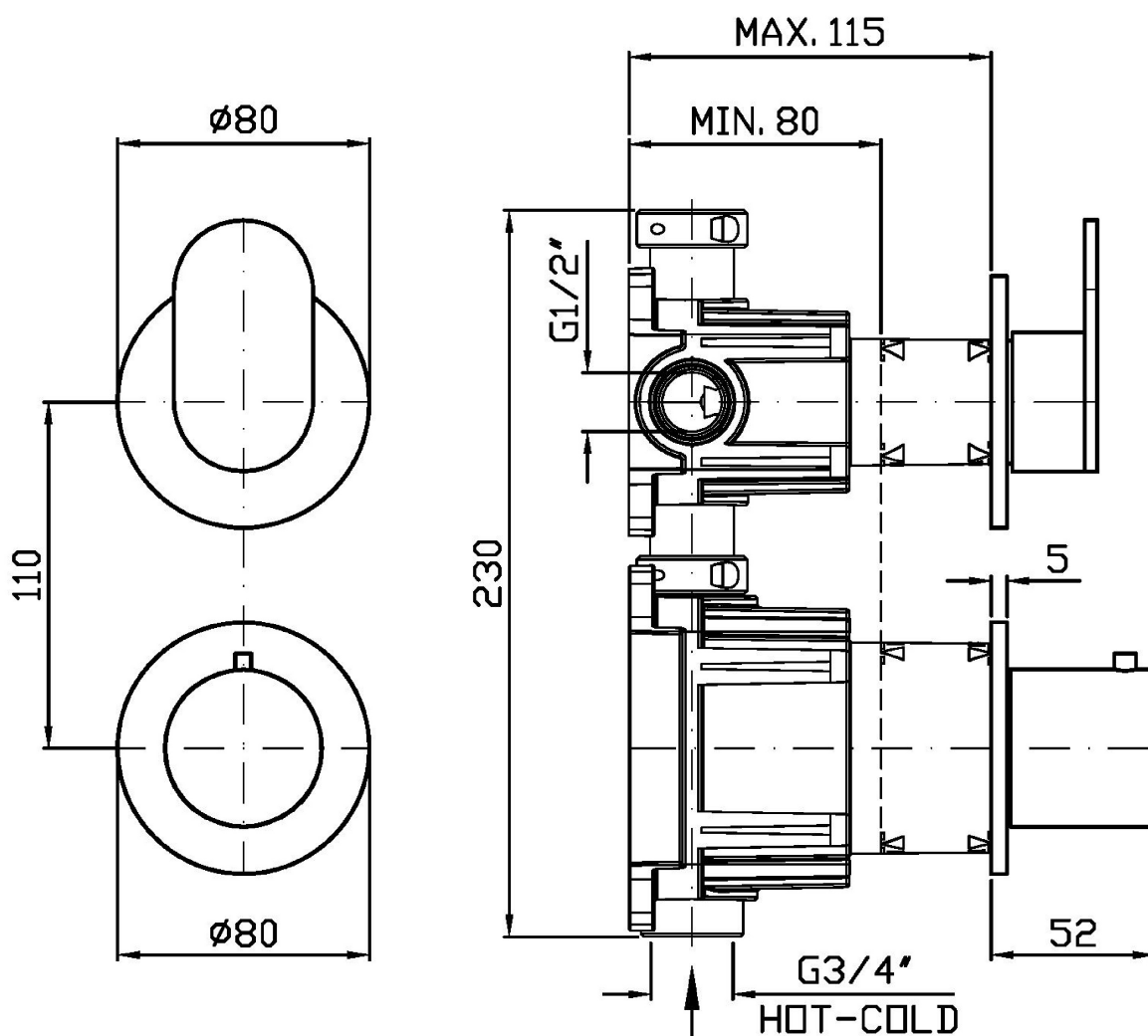
Brushed PVD copper /
Brushed PVD copper

Note / Notes

OCTO X

ZOX801.X

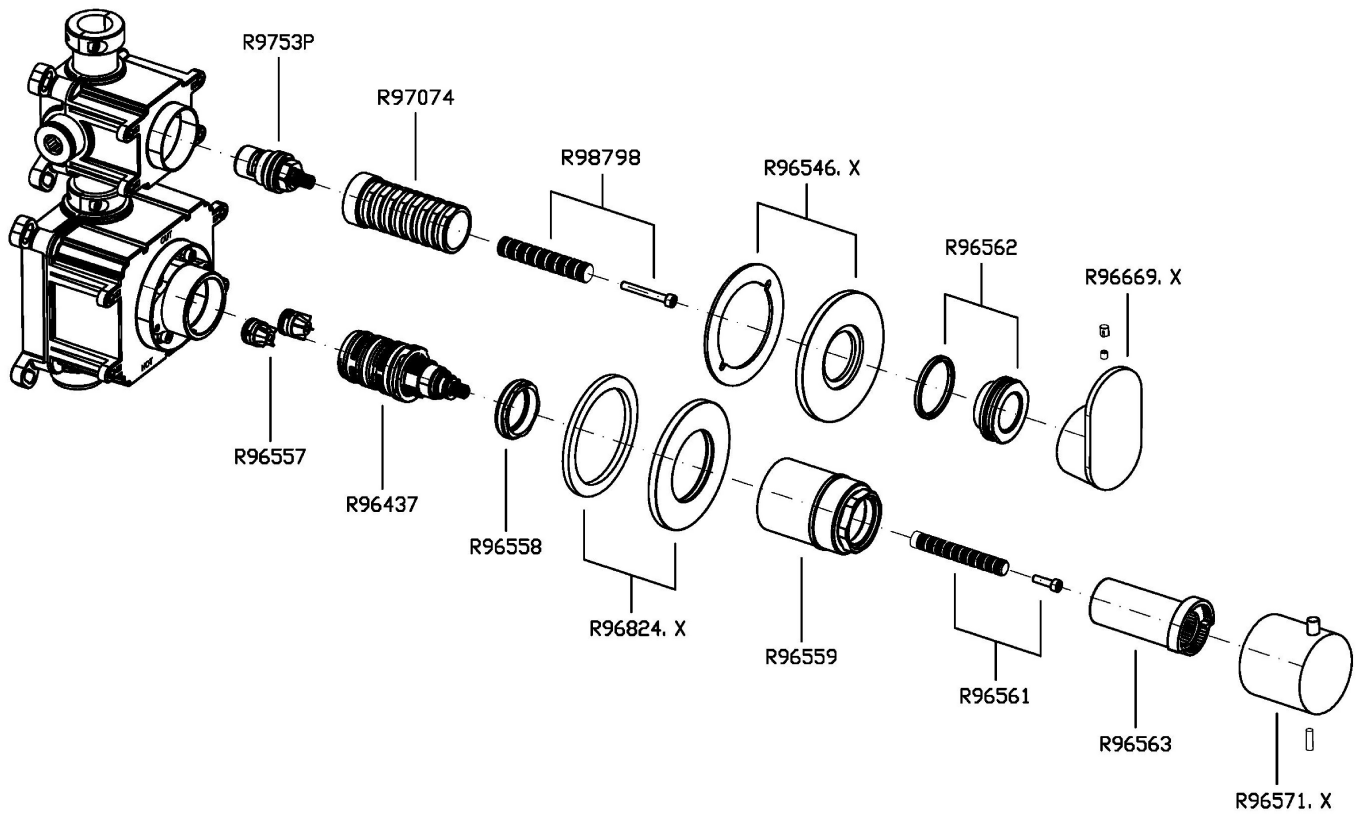
Disegno Complessivo / Overall Drawing



OCTO X

ZOX801.X

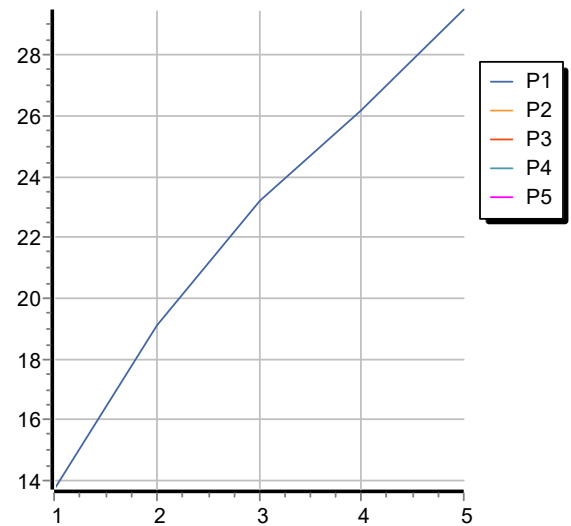
Esplosi / Exploded



OCTO X

ZOX801.X Portate / Flowrates (lt/min)

| PRESSIONE PRESSURE | 1 BAR | 2 BAR | 3 BAR | 4 BAR | 5 BAR |
|--|-------|-------|-------|-------|-------|
| 1 RUBINETTO APERTO P1 1 TAP OPENED | 13,7 | 19,1 | 23,2 | 26,2 | 29,5 |
| P2 | | | | | |
| P3 | | | | | |
| P4 | | | | | |
| P5 | | | | | |



OCTO X

ZOX801.X Pesi e Misure / Weights and Sizes

| | | |
|-------------------------------|---------------|----------------|
| Peso (Kg) Weight (lb) | 1,40 (Kg) | 3,09 (lb) |
| Volume test (dc3) - (in3) | 7,50 (dc3) | 457,68 (in3) |
| h (mm) - (in) | 90,00 (mm) | 3,54 (in) |
| L1 (mm) - (in) | 250,00 (mm) | 9,84 (in) |
| L2 (mm) - (in) | 333,00 (mm) | 13,11 (in) |

