

Marchio / Brand ZUCCHETTI

Classe / Class WW

OCTO X

ZOX5764.X

Batteria lavabo incasso a 3 fori. / 3 hole built-in basin mixer.



Batteria lavabo incasso a 3 fori in acciaio inox AISI 316L, con aeratore. Lunghezza bocca 200 mm.
Water Saving - portata d'acqua uguale o inferiore a 6 l/min.

3 hole built-in basin mixer in AISI 316L stainless steel, with aerator. Spout L. 200 mm.
Water Saving - water flow rate of 6 l/min or less.

R99500

Parte incasso corpo unico. / Assembled built-in part.



R99504

Parte incasso con elementi liberi, distanza variabile / Built-in part, not assembled, variable distance.



OCTO X

ZOX5764.X

Finiture / Finishes



X

Acciaio inox spazzolato /
Brushed stainless steel



XP21

Brushed PVD chocolate /
Brushed PVD chocolate



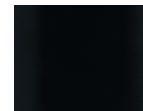
XP31

Brushed PVD British gold /
Brushed PVD British gold



XP41

Brushed PVD gold / Brushed
PVD gold



XP81

PVD Brushed Total Black /
PVD Brushed Total Black



XP91

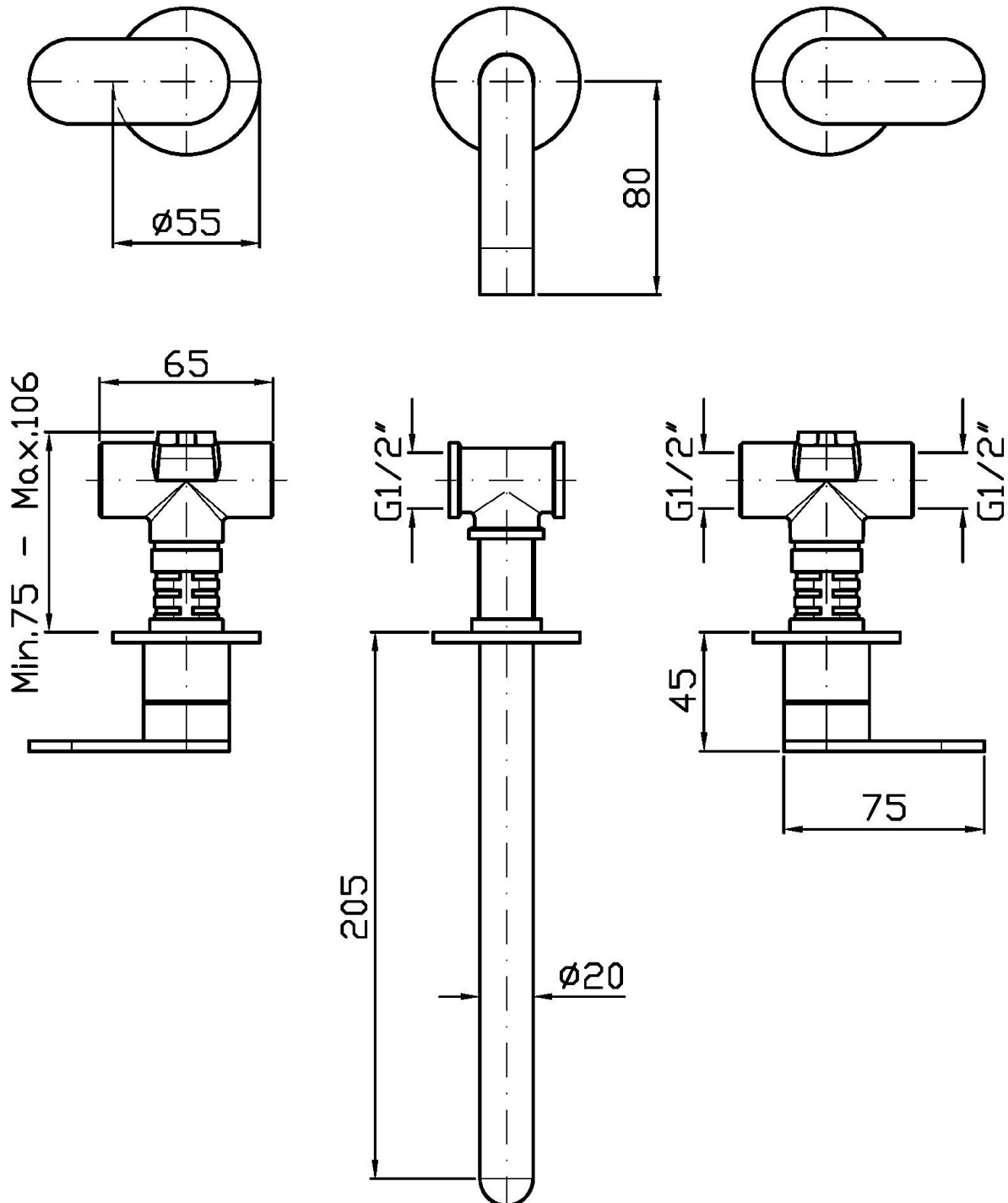
Brushed PVD copper /
Brushed PVD copper

Note / Notes

OCTO X

ZOX5764.X

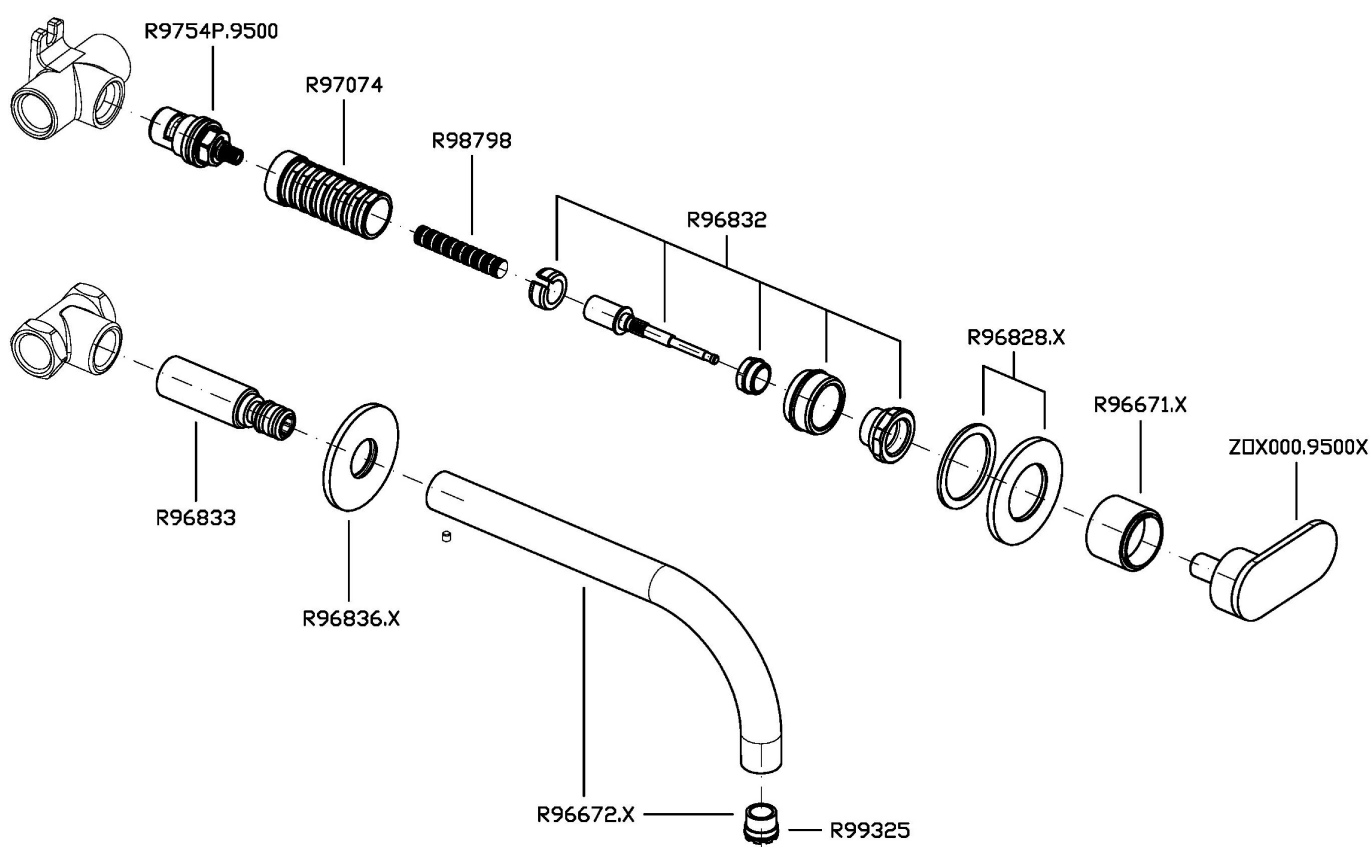
Disegno Complessivo / Overall Drawing



OCTO X

ZOX5764.X

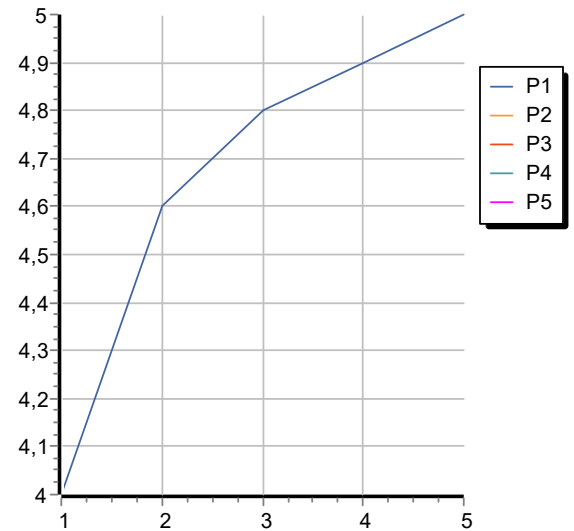
Esplosi / Exploded



OCTO X

ZOX5764.X Portate / Flowrates (lt/min)

PRESSIONE PRESSURE	1 BAR	2 BAR	3 BAR	4 BAR	5 BAR
P1 LAVABO BASIN	4	4,6	4,8	4,9	5
P2					
P3					
P4					
P5					



OCTO X

ZOX5764.X Pesì e Misure / Weights and Sizes

Peso (Kg) Weight (lb)	1,83 (Kg)	4,03 (lb)
Volume test (dc3) - (in3)	7,50 (dc3)	457,68 (in3)
h (mm) - (in)	90,00 (mm)	3,54 (in)
L1 (mm) - (in)	250,00 (mm)	9,84 (in)
L2 (mm) - (in)	333,00 (mm)	13,11 (in)

