

Marchio / Brand ZUCCHETTI

Classe / Class WW

## OCTO X

ZOX5760.X

Batteria lavabo incasso a 3 fori. / 3 hole built-in basin mixer.



Batteria lavabo incasso a 3 fori in acciaio inox AISI 316L, con aeratore. Lunghezza bocca 175 mm.  
Water Saving - portata d'acqua uguale o inferiore a 6 l/min.

3 hole built-in basin mixer in AISI 316L stainless steel, with aerator. Spout L. 175 mm.  
Water Saving - water flow rate of 6 l/min or less.

R99500

Parte incasso corpo unico. / Assembled built-in part.



R99504

Parte incasso con elementi liberi, distanza variabile / Built-in part, not assembled, variable distance.



## OCTO X

ZOX5760.X

### Finiture / Finishes



**X**

Acciaio inox spazzolato /  
Brushed stainless steel



**XP21**

Brushed PVD chocolate /  
Brushed PVD chocolate



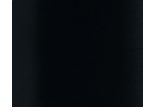
**XP31**

Brushed PVD British gold /  
Brushed PVD British gold



**XP41**

Brushed PVD gold / Brushed  
PVD gold



**XP81**

PVD Brushed Total Black /  
PVD Brushed Total Black



**XP91**

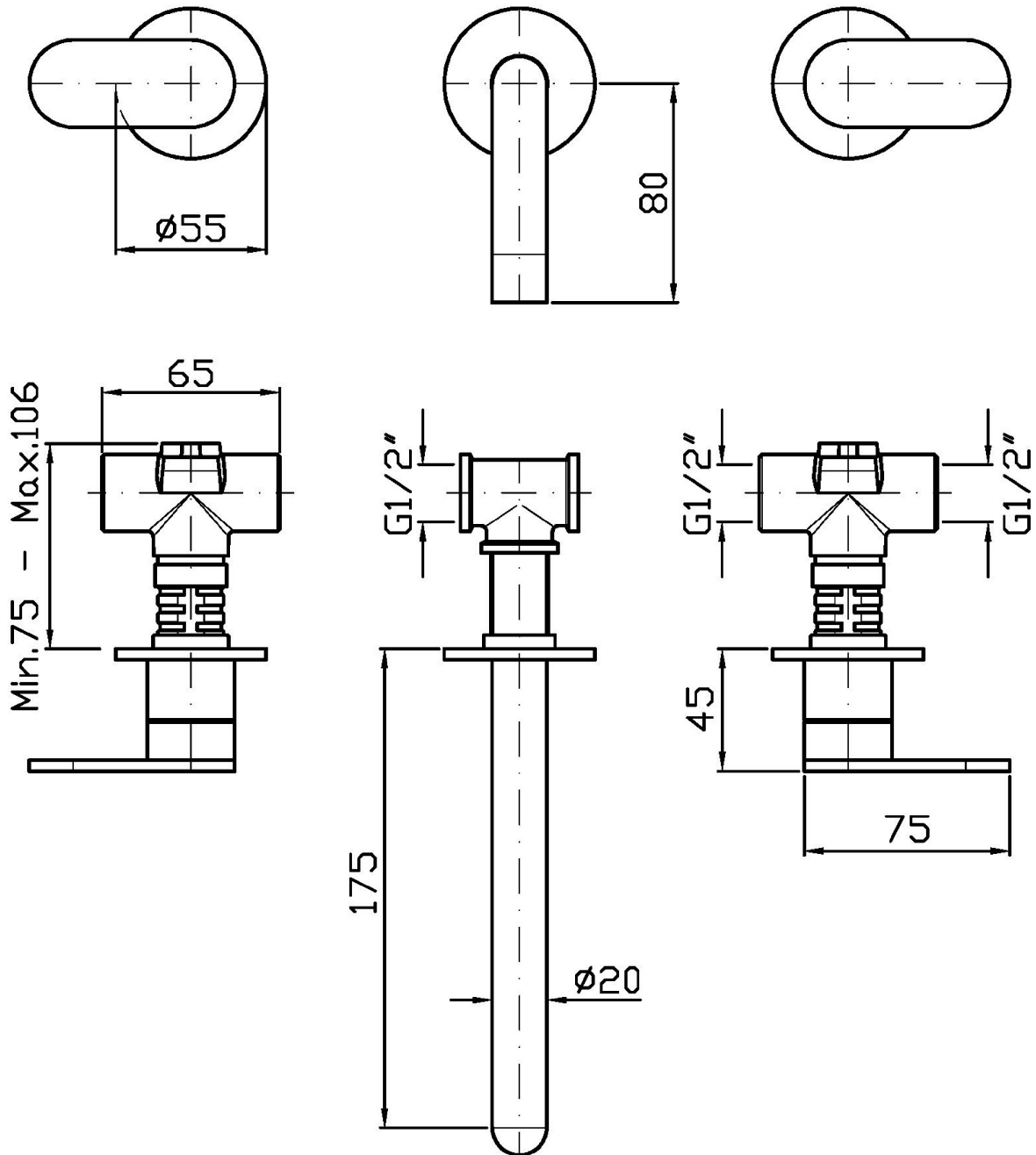
Brushed PVD copper /  
Brushed PVD copper

### Note / Notes

## OCTO X

ZOX5760.X

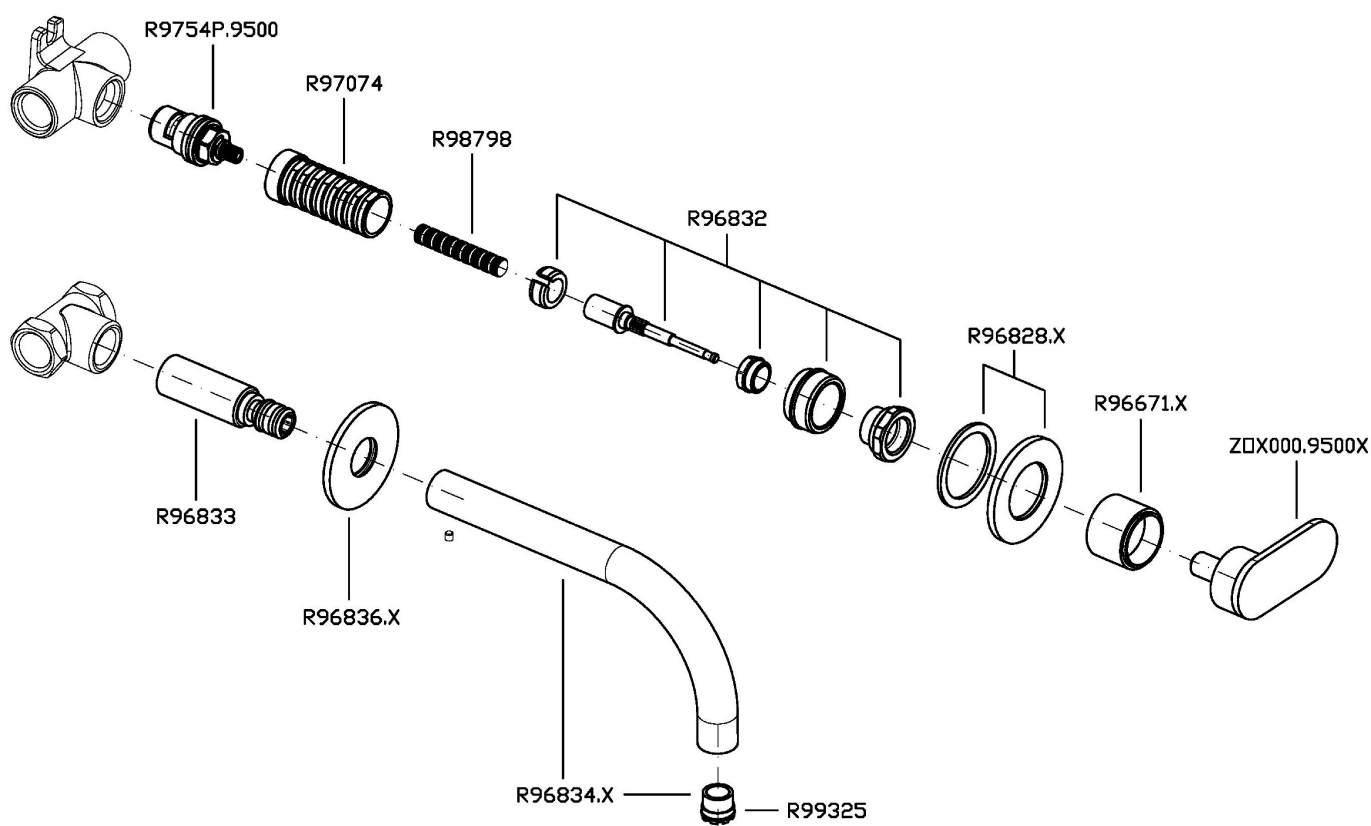
Disegno Complessivo / Overall Drawing



## OCTO X

ZOX5760.X

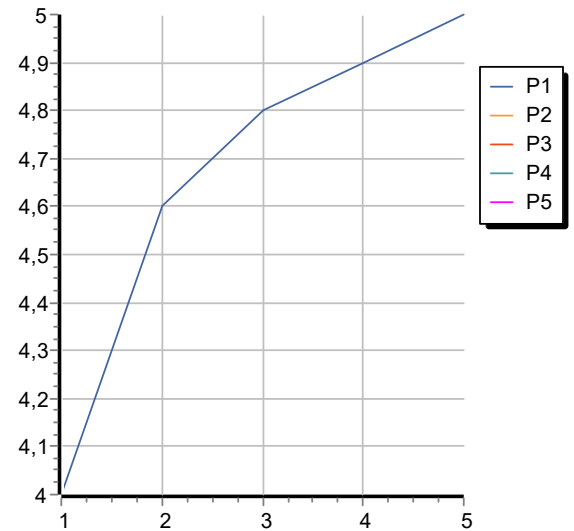
Esplosi / Exploded



## OCTO X

### ZOX5760.X Portate / Flowrates (lt/min)

PRESSIONE PRESSURE	1 BAR	2 BAR	3 BAR	4 BAR	5 BAR
P1 LAVABO BASIN	4	4,6	4,8	4,9	5
P2					
P3					
P4					
P5					



## OCTO X

### ZOX5760.X Pesi e Misure / Weights and Sizes

Peso ( Kg ) Weight ( lb )	1,80 ( Kg )	3,97 ( lb )
Volume test ( dc3 ) - ( in3 )	7,50 ( dc3 )	457,68 ( in3 )
h ( mm ) - ( in )	90,00 ( mm )	3,54 ( in )
L1 ( mm ) - ( in )	250,00 ( mm )	9,84 ( in )
L2 ( mm ) - ( in )	333,00 ( mm )	13,11 ( in )

