

Marchio / Brand ZUCCHETTI

Classe / Class WW

OCTO X

ZOX5738.X

Batteria incasso doccia. / Built-in shower mixer.



Batteria incasso doccia in acciaio inox AISI 316L, rubinetti Hot and Cold

Built-in shower mixer in AISI 316L stainless steel, taps Hot and Cold.

R99503

Parte incasso. / Built-in part.



OCTO X

ZOX5738.X

Finiture / Finishes



X

Acciaio inox spazzolato /
Brushed stainless steel



XP21

Brushed PVD chocolate /
Brushed PVD chocolate



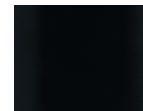
XP31

Brushed PVD British gold /
Brushed PVD British gold



XP41

Brushed PVD gold / Brushed
PVD gold



XP81

PVD Brushed Total Black /
PVD Brushed Total Black



XP91

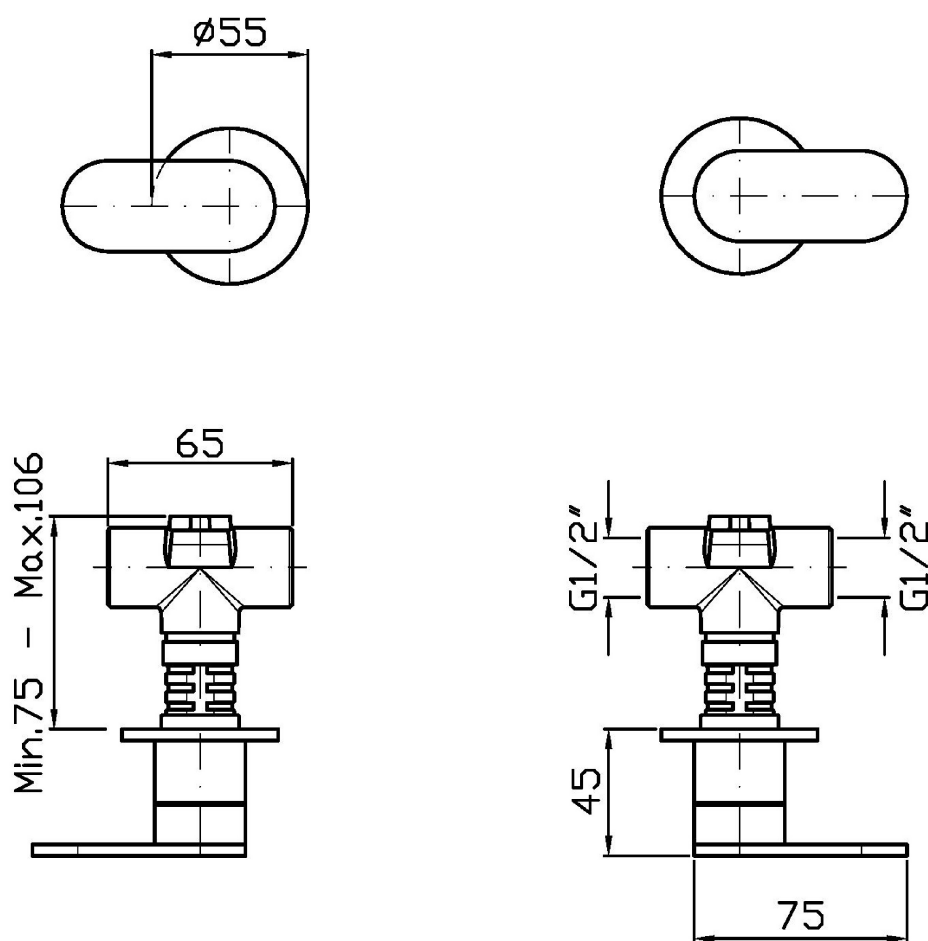
Brushed PVD copper /
Brushed PVD copper

Note / Notes

OCTO X

ZOX5738.X

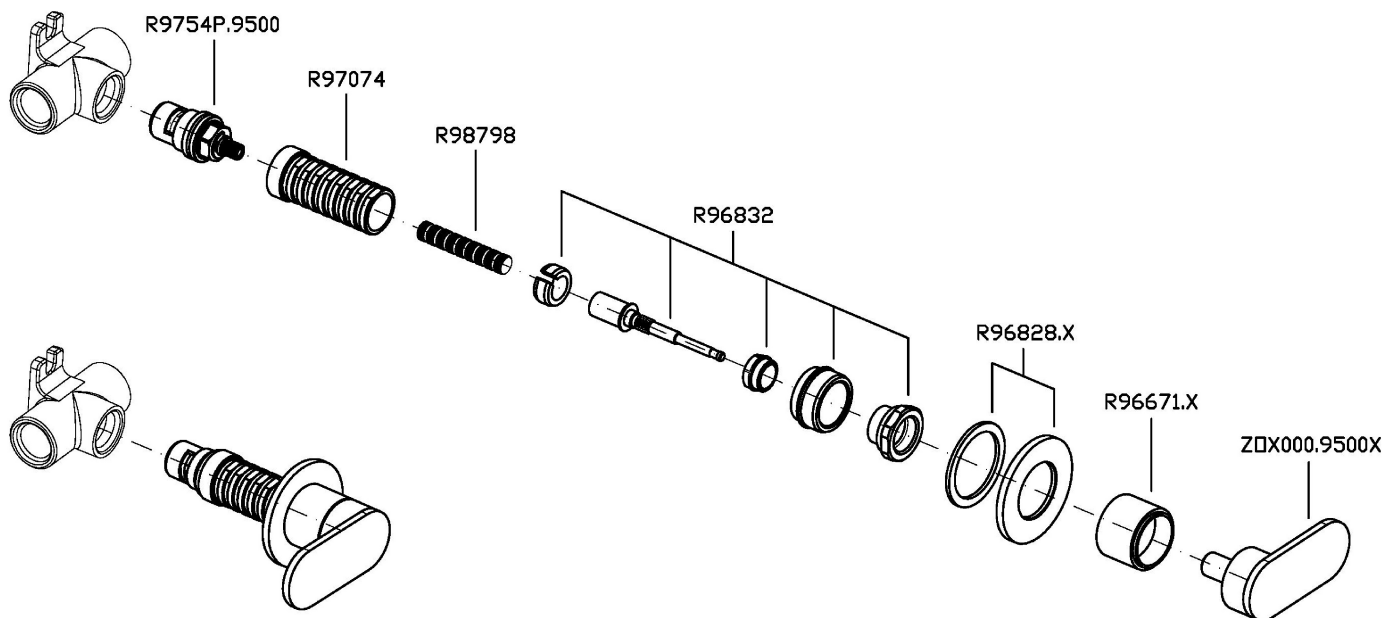
Disegno Complessivo / Overall Drawing



OCTO X

ZOX5738.X

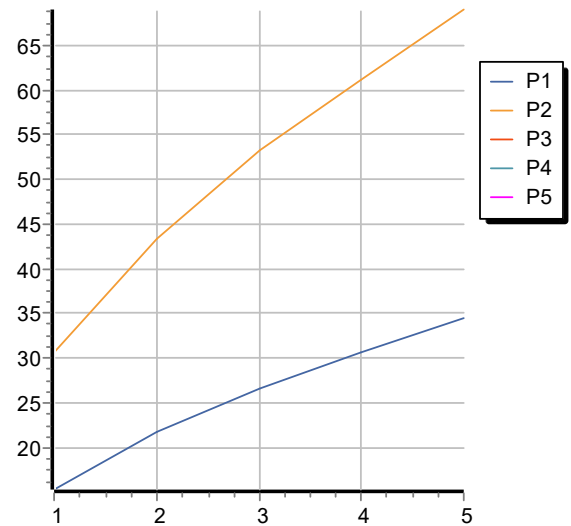
Esplosi / Exploded



OCTO X

ZOX5738.X Portate / Flowrates (lt/min)

PRESSIONE PRESSURE	1 BAR	2 BAR	3 BAR	4 BAR	5 BAR
1 RUBINETTO APERTO P1 1 TAP OPENED	15,3	21,7	26,6	30,6	34,5
2 RUBINETTO APERTI P2 2 TAPS OPENED	30,6	43,4	53,2	61,2	69
P3					
P4					
P5					



OCTO X

ZOX5738.X Pesi e Misure / Weights and Sizes

Peso (Kg) Weight (lb)	1,00 (Kg)	2,20 (lb)
Volume test (dc3) - (in3)	7,50 (dc3)	457,68 (in3)
h (mm) - (in)	90,00 (mm)	3,54 (in)
L1 (mm) - (in)	250,00 (mm)	9,84 (in)
L2 (mm) - (in)	333,00 (mm)	13,11 (in)

