

OCTO X

ZOX5516.X

Batteria lavabo a 3 fori bocca alta. / 3 hole basin mixer.



Batteria lavabo a 3 fori bocca alta in acciaio inox AISI 316L, con aeratore, flessibili di collegamento, senza scarico.
Water Saving - portata d'acqua uguale o inferiore a 6 l/min.

3 hole basin mixer in AISI 316L stainless steel, high spout with aerator, flexible tails, without pop-up waste.
Water Saving - water flow rate of 6 l/min or less.

OCTO X

ZOX5516.X

Finiture / Finishes



X

Acciaio inox spazzolato /
Brushed stainless steel



XP21

Brushed PVD chocolate /
Brushed PVD chocolate



XP31

Brushed PVD British gold /
Brushed PVD British gold



XP41

Brushed PVD gold / Brushed
PVD gold



XP81

PVD Brushed Total Black /
PVD Brushed Total Black



XP91

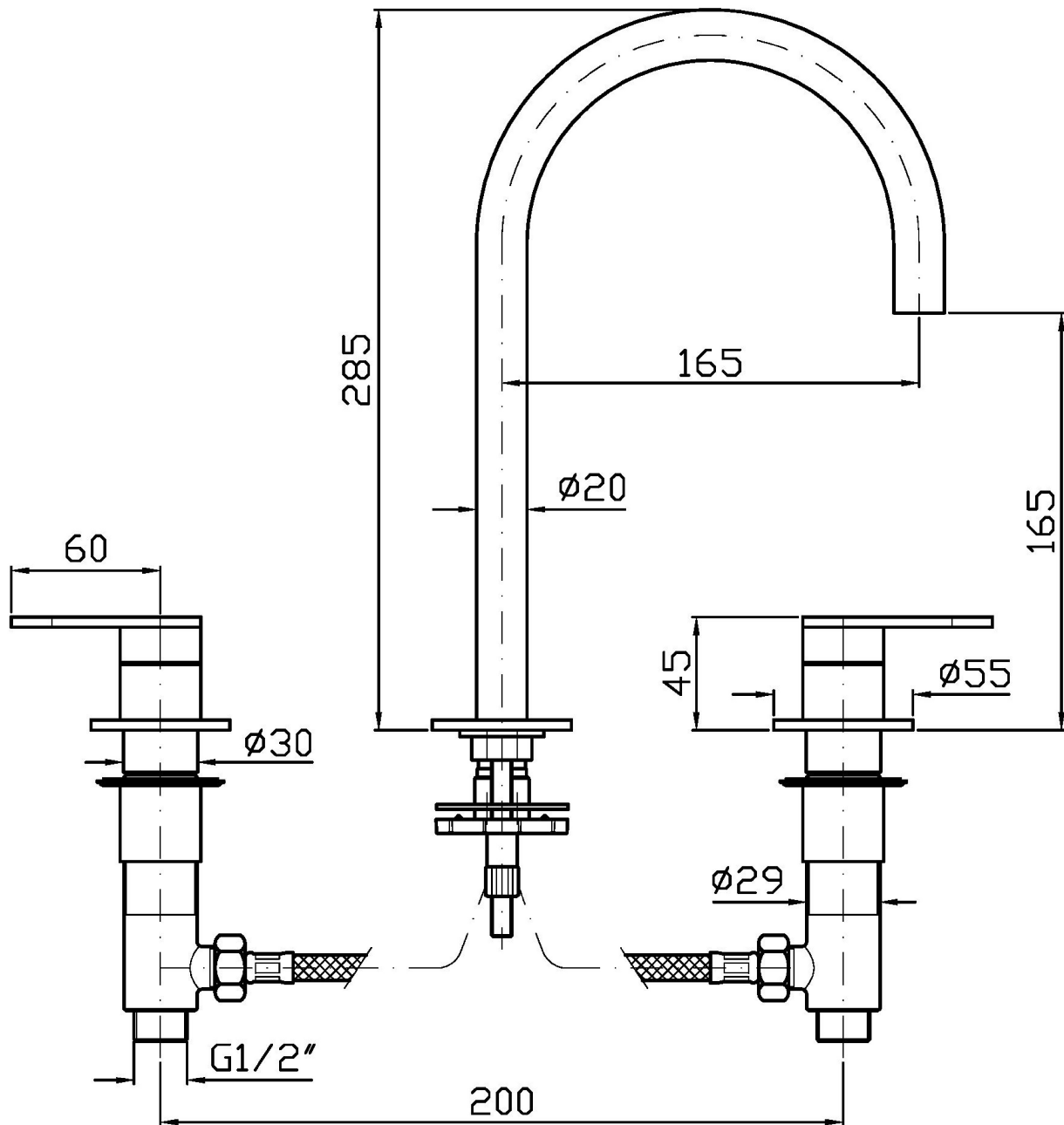
Brushed PVD copper /
Brushed PVD copper

Note / Notes

OCTO X

ZOX5516.X

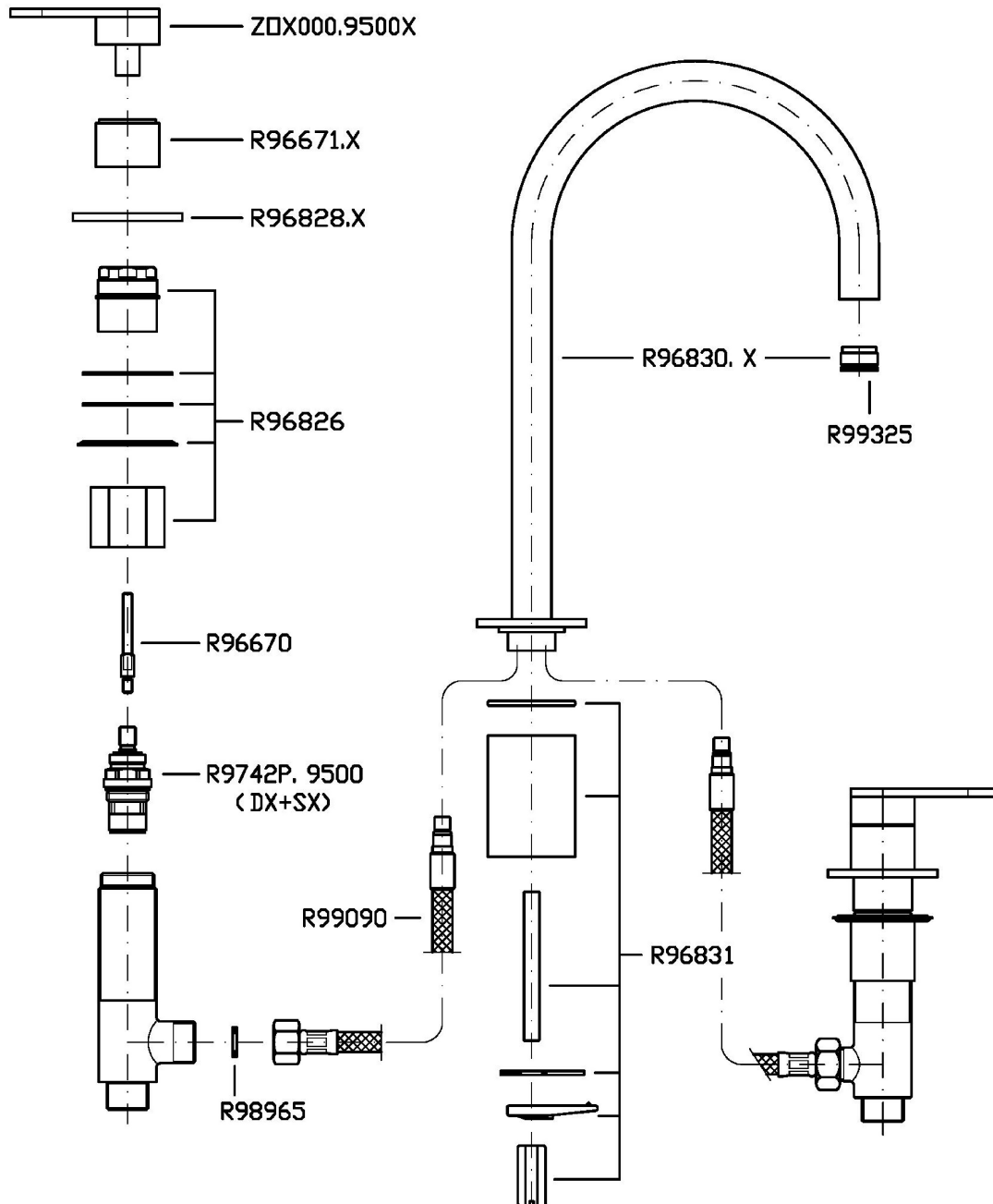
Disegno Complessivo / Overall Drawing



OCTO X

ZOX5516.X

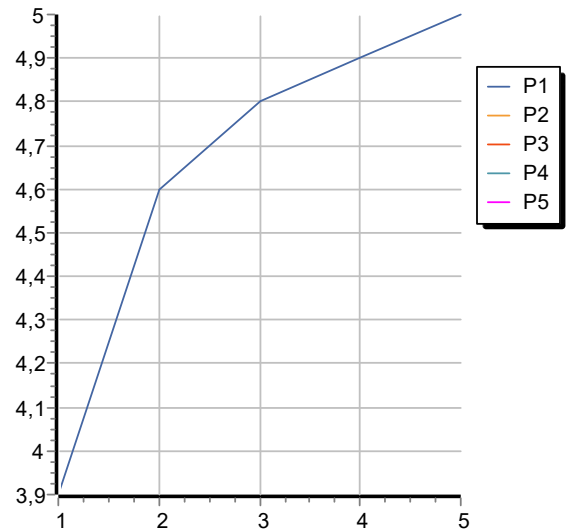
Esplosi / Exploded



OCTO X

ZOX5516.X Portate / Flowrates (lt/min)

PRESSIONE PRESSURE	1 BAR	2 BAR	3 BAR	4 BAR	5 BAR
P1 LAVABO BASIN	3,9	4,6	4,8	4,9	5
P2					
P3					
P4					
P5					



OCTO X

ZOX5516.X Pesì e Misure / Weights and Sizes

Peso (Kg) Weight (lb)	2,90 (Kg)	6,39 (lb)
Volume test (dc3) - (in3)	11,01 (dc3)	671,87 (in3)
h (mm) - (in)	90,00 (mm)	3,54 (in)
L1 (mm) - (in)	335,00 (mm)	13,19 (in)
L2 (mm) - (in)	365,00 (mm)	14,37 (in)

