

OCTO

ZOC803

Termostatico incasso doccia con 3 rubinetti d'arresto. / Built-in thermostatic shower mixer 3 stop valves.



Termostatico incasso doccia da 3/4", con 3 rubinetti d'arresto. Installazione possibile sia in verticale che in orizzontale.

3/4" built-in thermostatic shower mixer with 3 stop valves. Both vertical and horizontal installation possible.

R96732

Parte incasso / Built-in part



OCTO

ZOC803

Finiture / Finishes



Cromo / Chrome



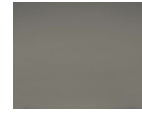
C3

Nickel Spazzolato / Brushed Nickel



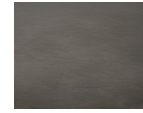
C8

Nickel Lucido / Polished Nickel



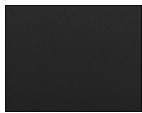
C50

Metal Black / Metal Black



C51

Metal Black spazzolato / Brushed Metal Black



N6

Nero opaco / Matt black



P21

PVD brushed chocolate / PVD brushed chocolate



P31

Brushed PVD British gold / Brushed PVD British gold



P41

PVD Oro Spazzolato / PVD Brushed Gold



P81

Brushed total black PVD / Brushed total black PVD



P91

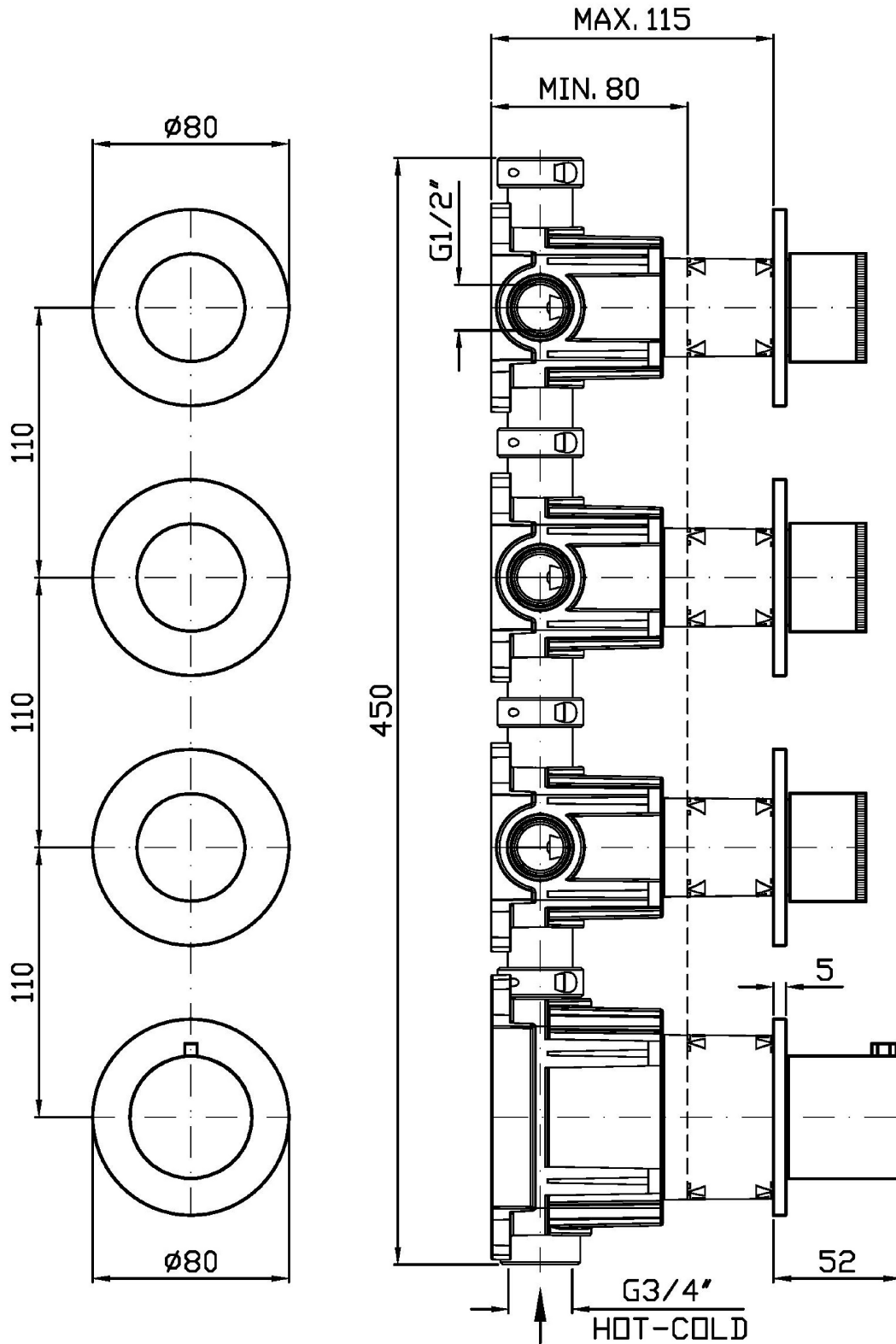
Brushed PVD Copper / Brushed PVD Copper

Note / Notes

OCTO

ZOC803

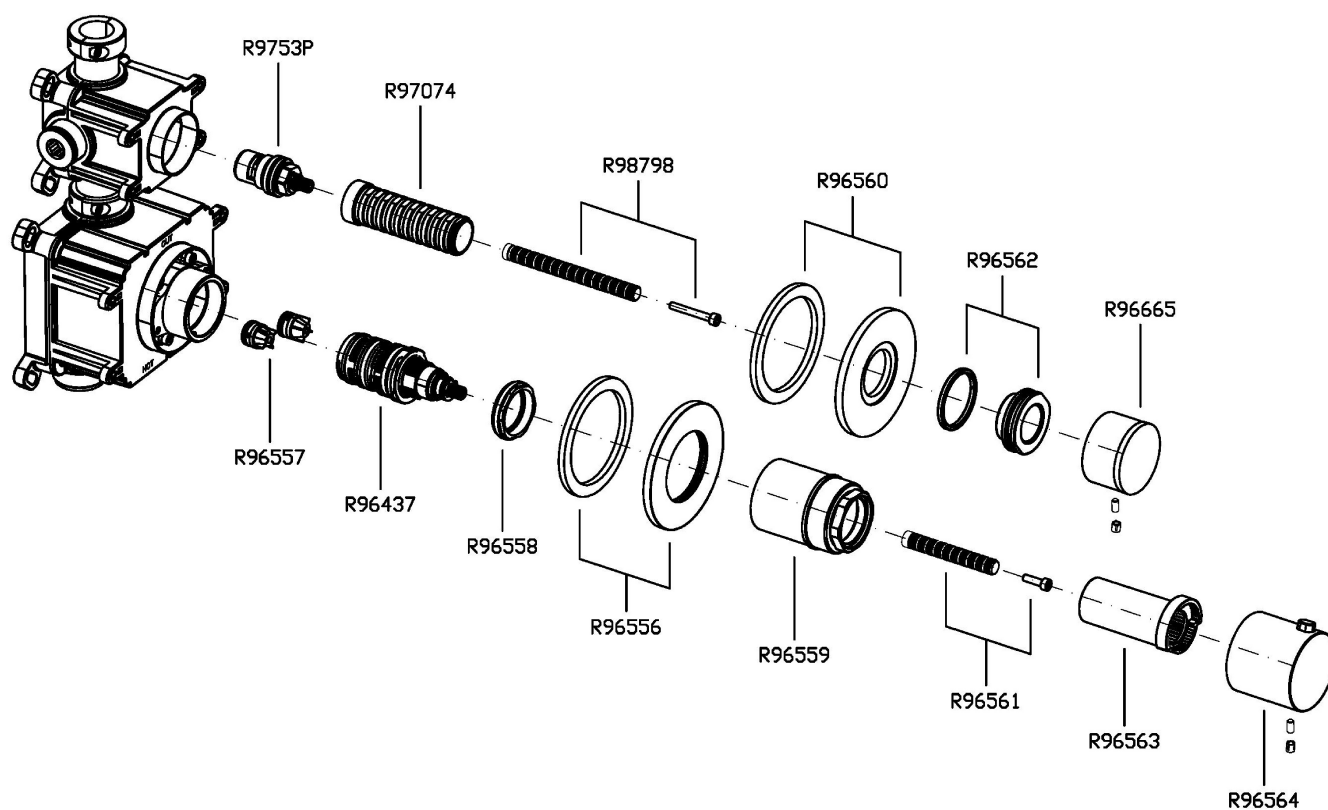
Disegno Complessivo / Overall Drawing



OCTO

ZOC803

Esplosi / Exploded

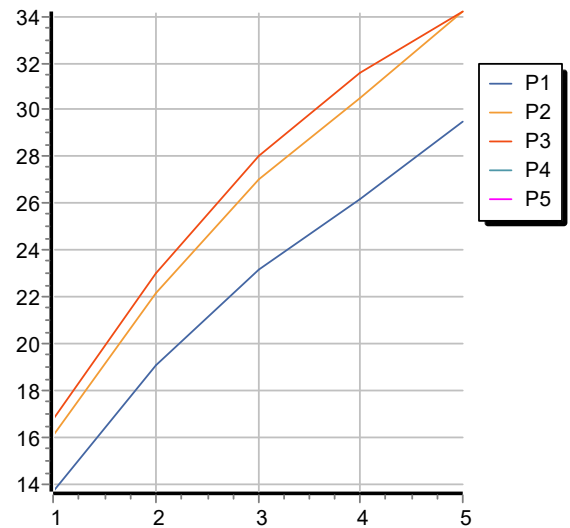


OCTO

ZOC803

Portate / Flowrates (lt/min)

PRESSIONE PRESSURE	1 BAR	2 BAR	3 BAR	4 BAR	5 BAR
1 RUBINETTO APERTO <i>P1</i> 1 TAP OPENED	13,7	19,1	23,2	26,2	29,5
2 RUBINETTO APERTI <i>P2</i> 2 TAPS OPENED	16,1	22,2	27	30,5	34,2
3 RUBINETTO APERTI <i>P3</i> 3 TAPS OPENED	16,8	23	28	31,6	34,2
<i>P4</i>					
<i>P5</i>					



OCTO

ZOC803

Pesi e Misure / Weights and Sizes

Peso (Kg) Weight (lb)	2,00 (Kg)	4,41 (lb)
Volume test (dc3) - (in3)	11,01 (dc3)	671,87 (in3)
h (mm) - (in)	90,00 (mm)	3,54 (in)
L1 (mm) - (in)	335,00 (mm)	13,19 (in)
L2 (mm) - (in)	365,00 (mm)	14,37 (in)

