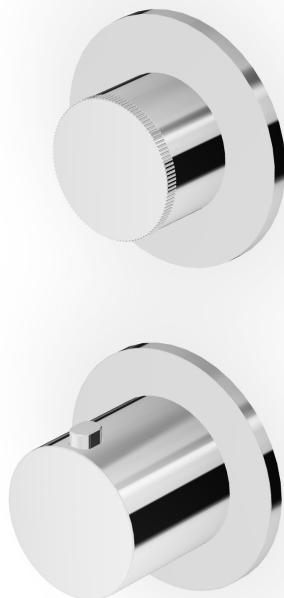


OCTO

ZOC801

Termostatico incasso doccia con rubinetto d'arresto. / Built-in thermostatic shower mixer, 1 stop valve.



Termostatico incasso doccia da 3/4", con rubinetto d'arresto. Installazione possibile sia in verticale che in orizzontale.

3/4" built-in thermostatic shower mixer with stop valve. Both vertical and horizontal installation possible.

R96730

Parte incasso / Built-in part



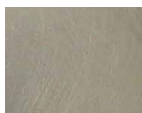
OCTO

ZOC801

Finiture / Finishes



Cromo / Chrome



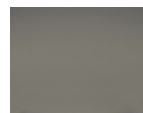
C3

Nickel Spazzolato / Brushed Nickel



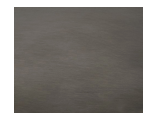
C8

Nickel Lucido / Polished Nickel



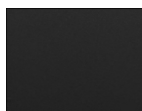
C50

Metal Black / Metal Black



C51

Metal Black spazzolato / Brushed Metal Black



N6

Nero opaco / Matt black



P21

PVD brushed chocolate / PVD brushed chocolate



P31

Brushed PVD British gold / Brushed PVD British gold



P41

PVD Oro Spazzolato / PVD Brushed Gold



P81

Brushed total black PVD / Brushed total black PVD



P91

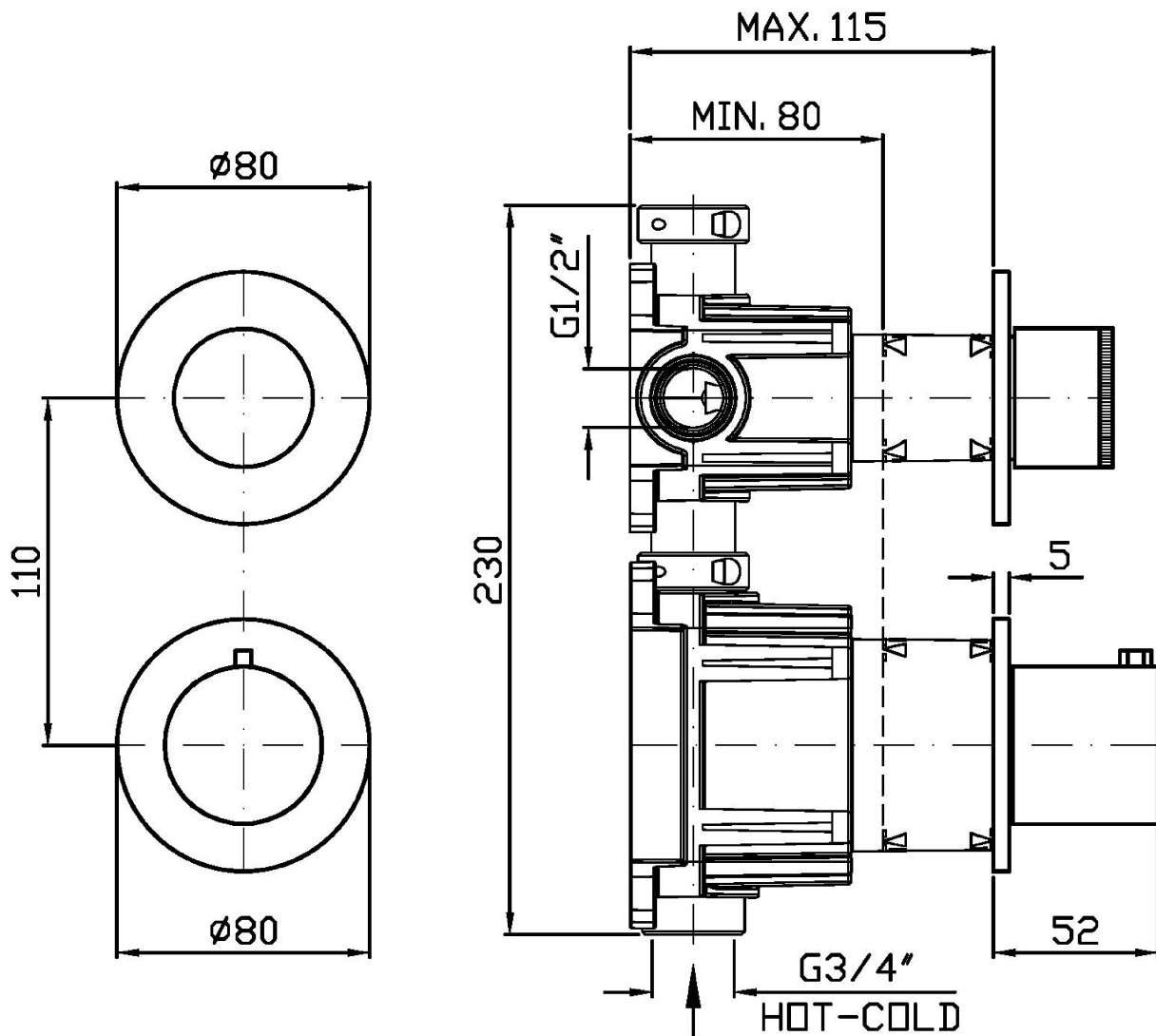
Brushed PVD Copper / Brushed PVD Copper

Note / Notes

OCTO

ZOC801

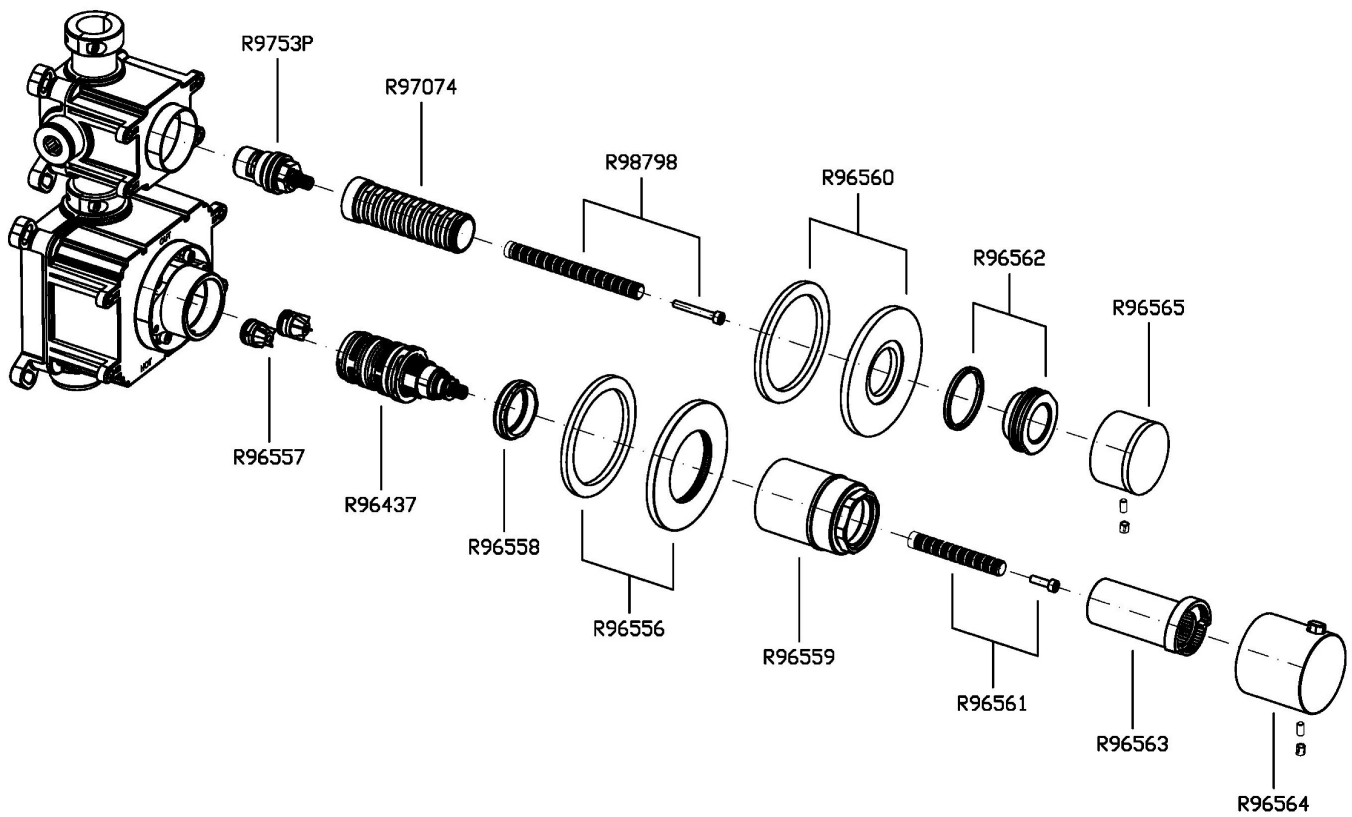
Disegno Complessivo / Overall Drawing



OCTO

ZOC801

Esplosi / Exploded

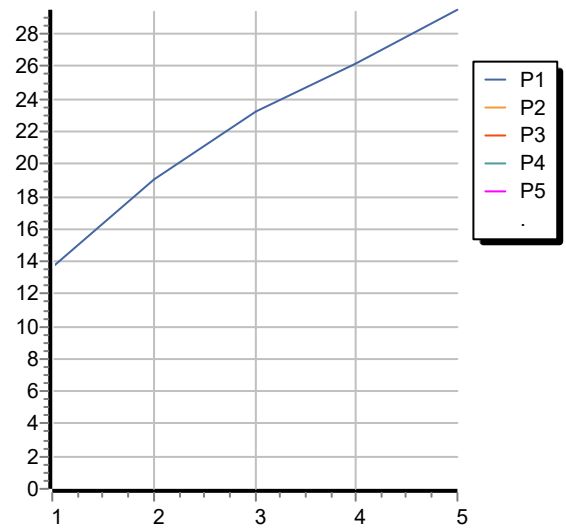


OCTO

ZOC801

Portate / Flowrates (lt/min)

PRESSIONE PRESSURE	1 BAR	2 BAR	3 BAR	4 BAR	5 BAR
1 RUBINETTO APERTO <i>P1</i>	13,7	19,1	23,2	26,2	29,5
<i>P2</i>					
<i>P3</i>					
<i>P4</i>					
<i>P5</i>					



OCTO

ZOC801

Pesi e Misure / Weights and Sizes

Peso (Kg) Weight (lb)	1,40 (Kg)	3,09 (lb)
Volume test (dc3) - (in3)	7,50 (dc3)	457,68 (in3)
h (mm) - (in)	90,00 (mm)	3,54 (in)
L1 (mm) - (in)	250,00 (mm)	9,84 (in)
L2 (mm) - (in)	333,00 (mm)	13,11 (in)

