

Marchio / Brand ZUCCHETTI

Classe / Class WW

OCTO

ZOC780

Miscelatore monocomando doccia incasso. / Built-in single lever shower mixer.



Miscelatore monocomando doccia incasso.

Built-in single lever shower mixer.

R96710

Parte incasso / Built-in part



OCTO

ZOC780

Finiture / Finishes



Cromo / Chrome



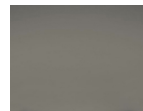
C3

Nickel Spazzolato / Brushed Nickel



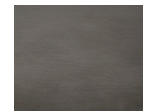
C8

Nickel Lucido / Polished Nickel



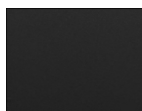
C50

Metal Black / Metal Black



C51

Metal Black spazzolato / Brushed Metal Black



N6

Nero opaco / Matt black



P21

PVD brushed chocolate / PVD brushed chocolate



P31

Brushed PVD British gold / Brushed PVD British gold



P41

PVD Oro Spazzolato / PVD Brushed Gold



P81

Brushed total black PVD / Brushed total black PVD



P91

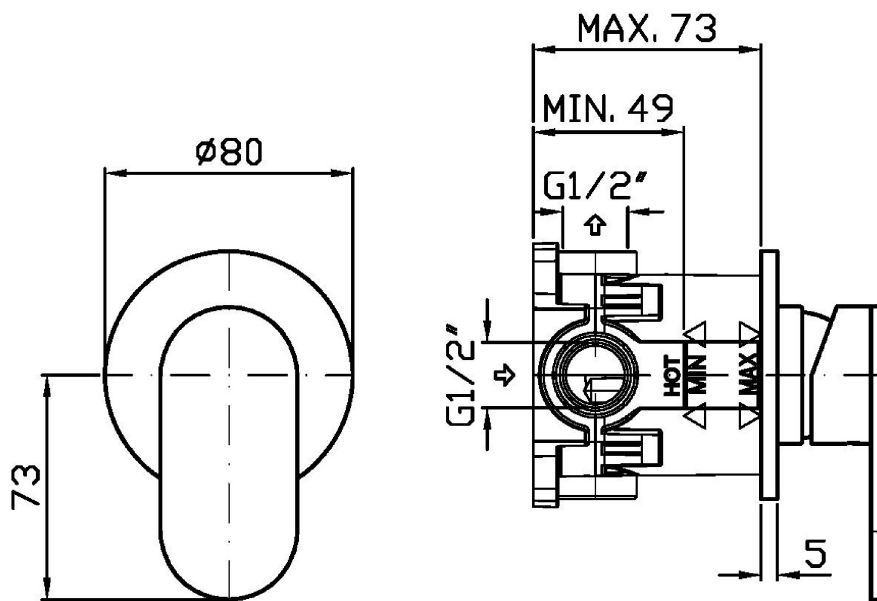
Brushed PVD Copper / Brushed PVD Copper

Note / Notes

OCTO

ZOC780

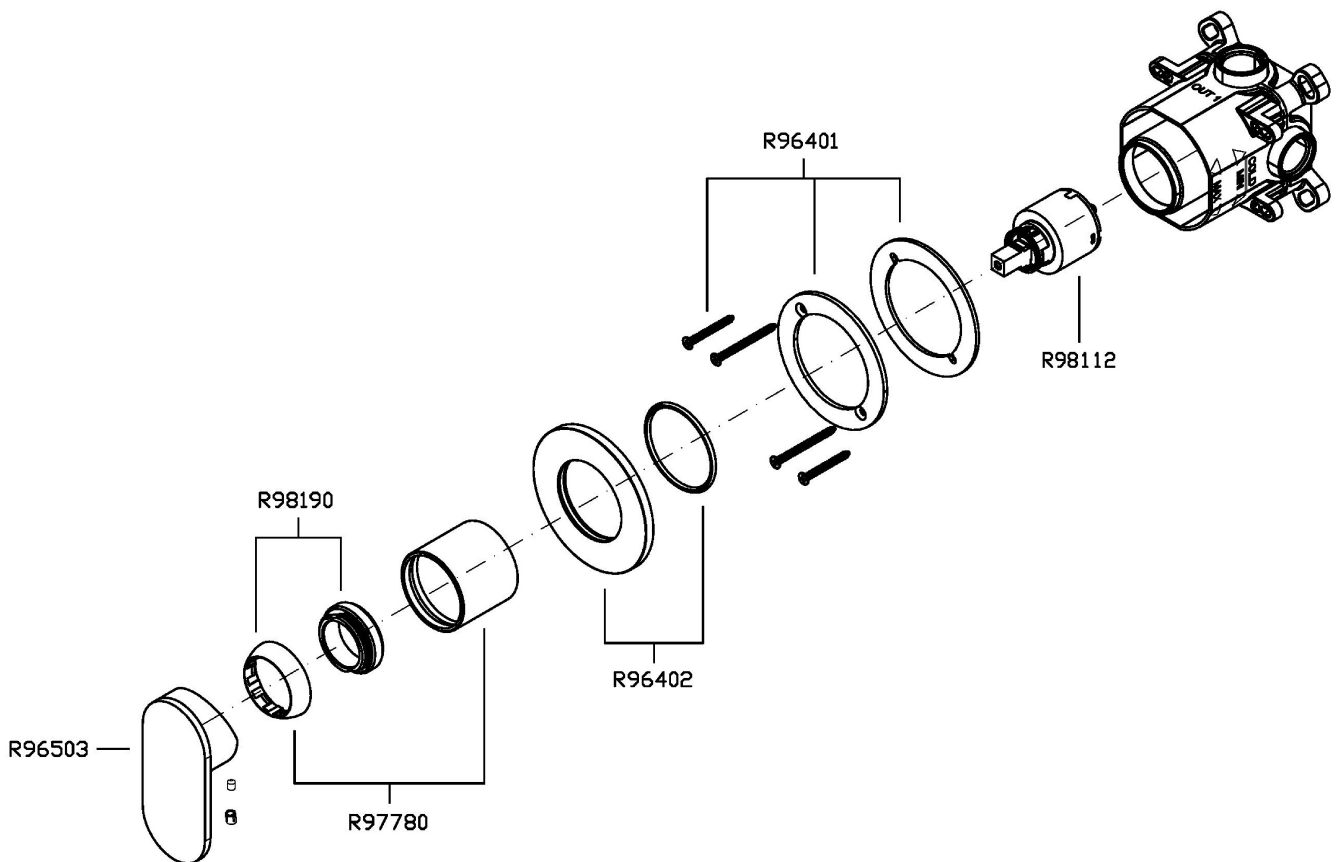
Disegno Complessivo / Overall Drawing



OCTO

ZOC780

Esplosi / Exploded

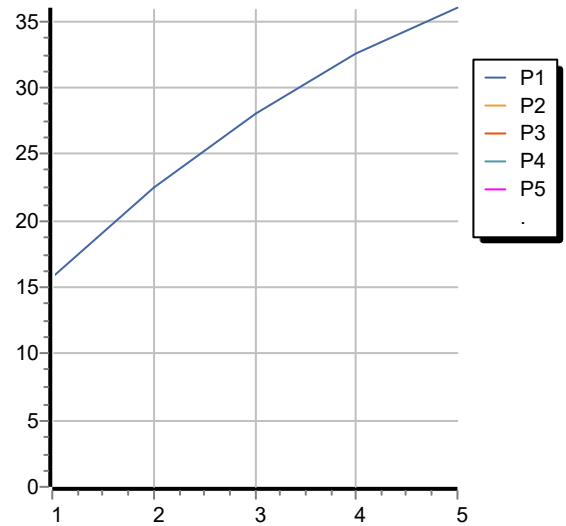


OCTO

ZOC780

Portate / Flowrates (lt/min)

| PRESSIONE PRESSURE | 1 BAR | 2 BAR | 3 BAR | 4 BAR | 5 BAR |
|--|-------|-------|-------|-------|-------|
| USCITA PRIMARIA PRIMARY OUTLET <i>P1</i> | 15,8 | 22,5 | 28 | 32,5 | 36 |
| <i>P2</i> | | | | | |
| <i>P3</i> | | | | | |
| <i>P4</i> | | | | | |
| <i>P5</i> | | | | | |



OCTO

ZOC780

Pesi e Misure / Weights and Sizes

| | | |
|-------------------------------|---------------|---------------|
| Peso (Kg) Weight (lb) | 0,40 (Kg) | 0,88 (lb) |
| Volume test (dc3) - (in3) | 1,21 (dc3) | 73,84 (in3) |
| h (mm) - (in) | 73,00 (mm) | 2,87 (in) |
| L1 (mm) - (in) | 127,00 (mm) | 5,00 (in) |
| L2 (mm) - (in) | 130,00 (mm) | 5,12 (in) |

