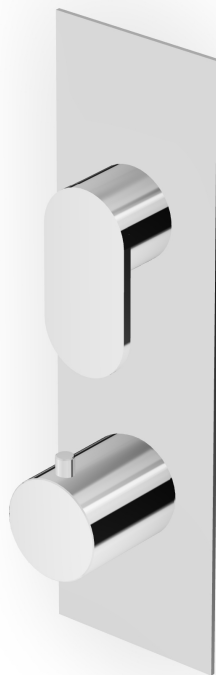


OCTO

ZOC659

Termostatico incasso doccia, con rubinetto d'arresto. / Built-in thermostatic shower mixer with stop valve.



Termostatico incasso doccia da 1/2", con rubinetto d'arresto. Installazione possibile sia in verticale che in orizzontale.

1/2" built-in thermostatic shower mixer with stop valve. Both vertical and horizontal installation possible.

R97820

Parte incasso. / Built-in part.



OCTO

ZOC659

Finiture / Finishes



Cromo / Chrome



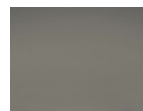
C3

Nickel Spazzolato / Brushed Nickel



C8

Nickel Lucido / Polished Nickel



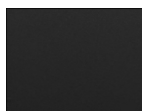
C50

Metal Black / Metal Black



C51

Metal Black spazzolato / Brushed Metal Black



N6

Nero opaco / Matt black



P21

PVD brushed chocolate / PVD brushed chocolate



P31

Brushed PVD British gold / Brushed PVD British gold



P41

PVD Oro Spazzolato / PVD Brushed Gold



P81

Brushed total black PVD / Brushed total black PVD



P91

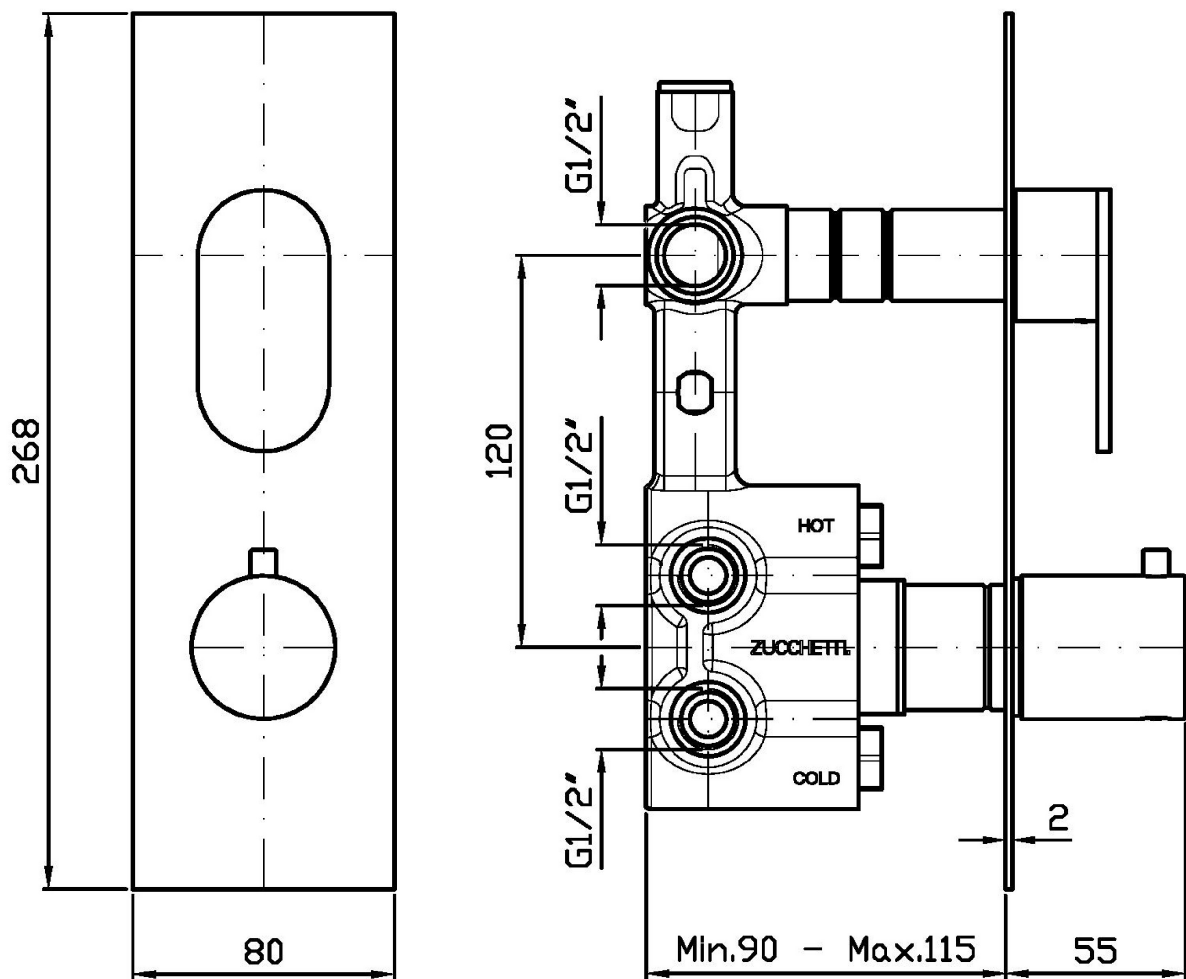
Brushed PVD Copper / Brushed PVD Copper

Note / Notes

OCTO

ZOC659

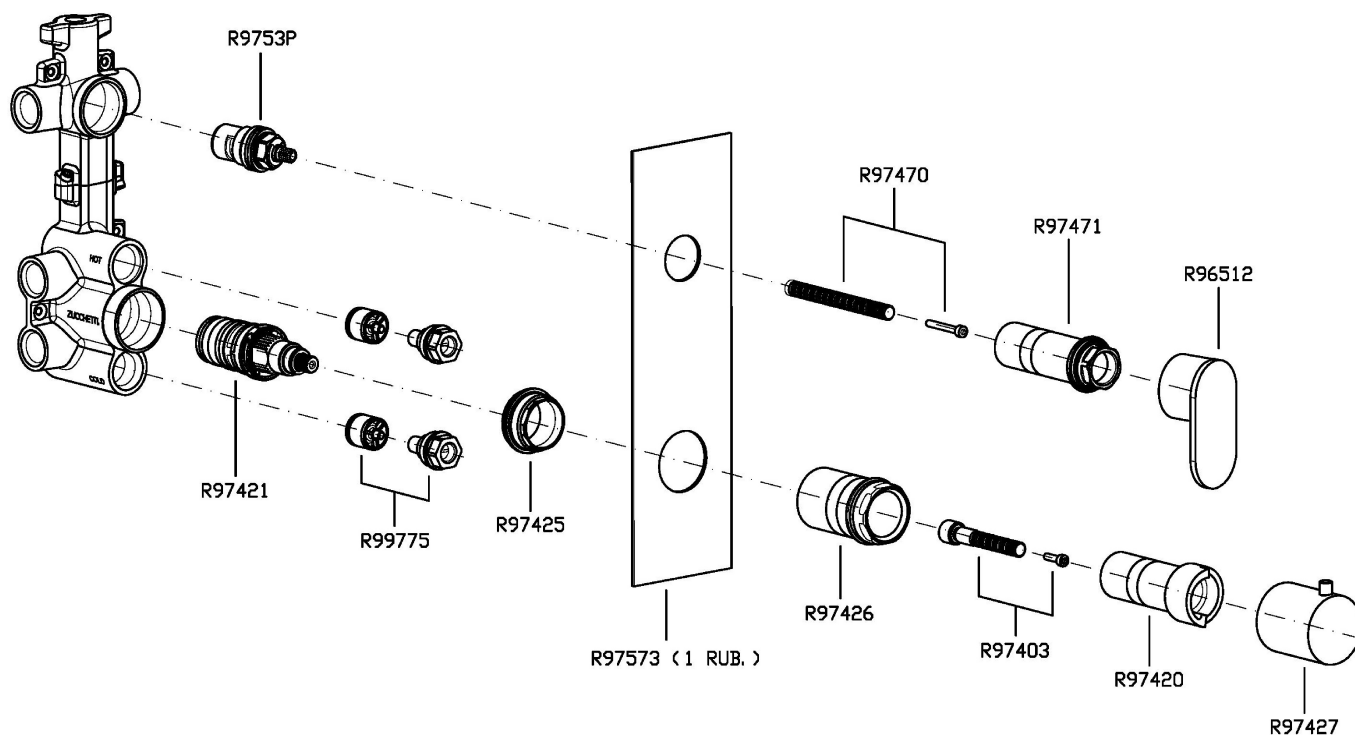
Disegno Complessivo / Overall Drawing



OCTO

ZOC659

Esplosi / Exploded

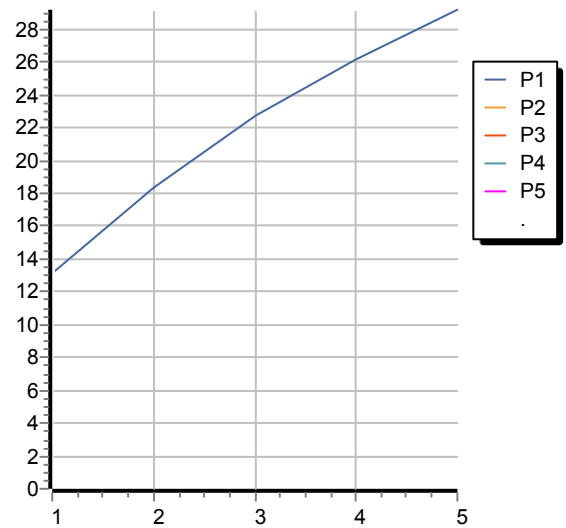


OCTO

ZOC659

Portate / Flowrates (lt/min)

PRESSIONE PRESSURE	1 BAR	2 BAR	3 BAR	4 BAR	5 BAR
1 RUBINETTO APERTO <i>P1</i>	13,2	18,4	22,7	26,2	29,2
<i>P2</i>					
<i>P3</i>					
<i>P4</i>					
<i>P5</i>					



OCTO

ZOC659

Pesi e Misure / Weights and Sizes

Peso (Kg) Weight (lb)	1,40 (Kg)	3,09 (lb)
Volume test (dc3) - (in3)	11,01 (dc3)	671,87 (in3)
h (mm) - (in)	90,00 (mm)	3,54 (in)
L1 (mm) - (in)	335,00 (mm)	13,19 (in)
L2 (mm) - (in)	365,00 (mm)	14,37 (in)

