

## MEDAMEDA

ZMM802

Termostatico incasso doccia con 2 rubinetti d'arresto. / Built-in thermostatic shower mixer 2 stop valves.



Termostatico incasso doccia da 3/4", con 2 rubinetti d'arresto. Installazione possibile sia in verticale che in orizzontale.

3/4" built-in thermostatic shower mixer with 2 stop valves. Both vertical and horizontal installation possible.

R96731

Parte incasso / Built-in part



## MEDAMEDA

ZMM802

Finiture / Finishes



Cromo / Chrome



**C3**

Nickel Spazzolato / Brushed Nickel



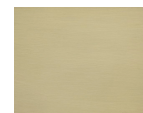
**C8**

Nickel Lucido / Polished Nickel



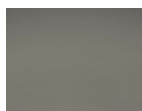
**C40**

Oro / Gold



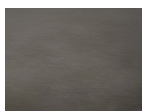
**C41**

Oro spazzolato / Brushed Gold



**C50**

Metal Black / Metal Black



**C51**

Metal Black spazzolato /  
Brushed Metal Black



**N1**

Nero Opaco Goffrato /  
Embossed Matt Black



**P31**

Brushed PVD British gold /  
Brushed PVD British gold



**P81**

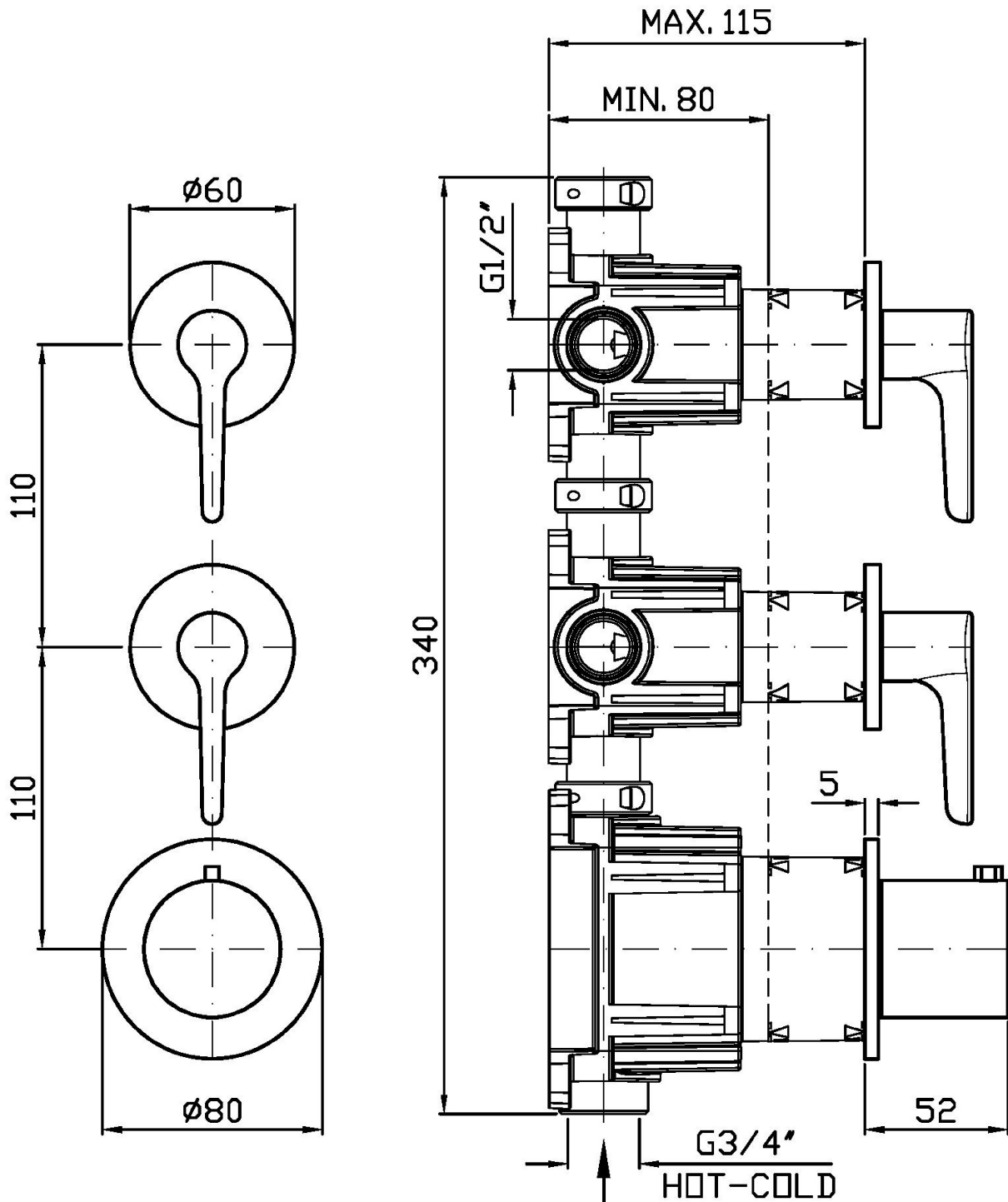
Brushed total black PVD /  
Brushed total black PVD

Note / Notes

## MEDAMEDA

ZMM802

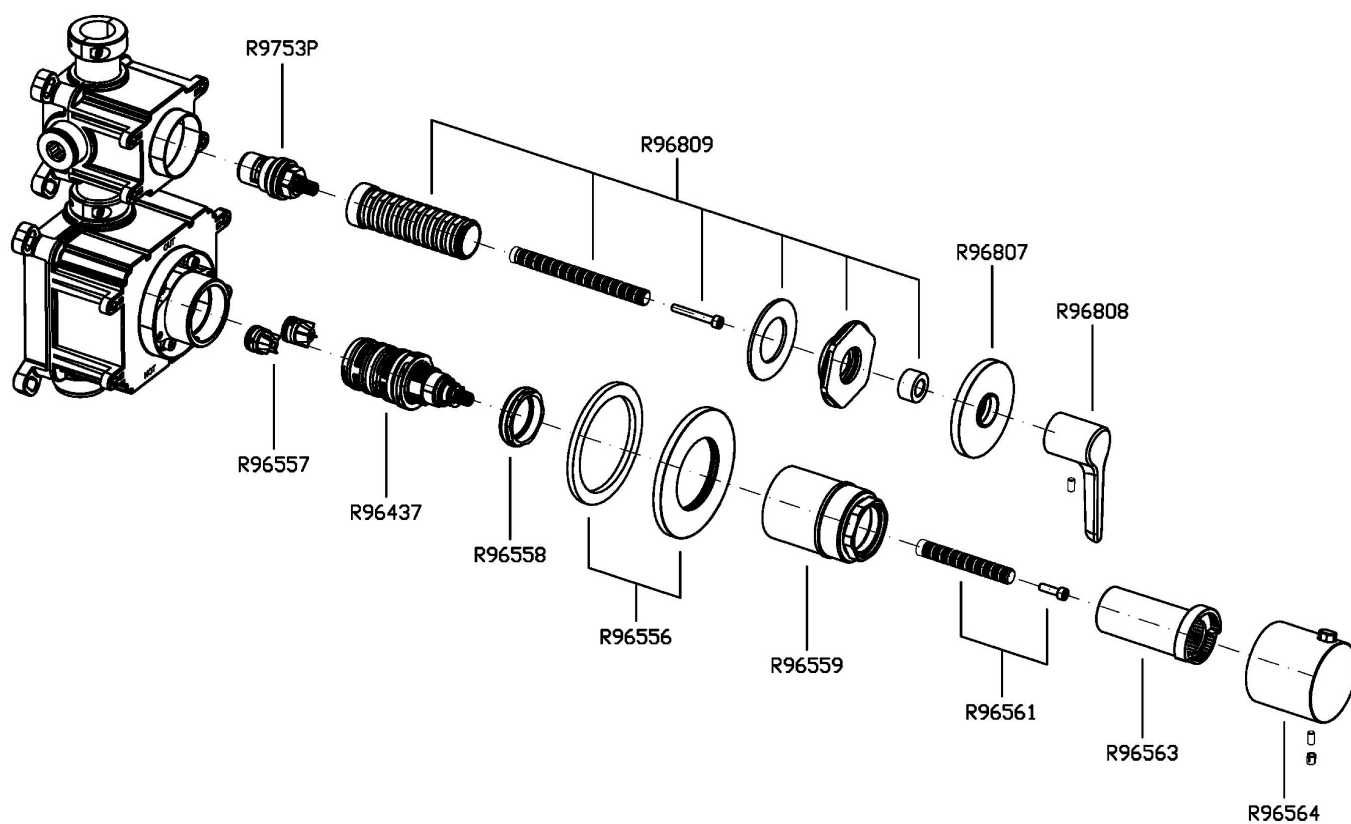
Disegno Complessivo / Overall Drawing



## MEDAMEDA

ZMM802

Esplosi / Exploded

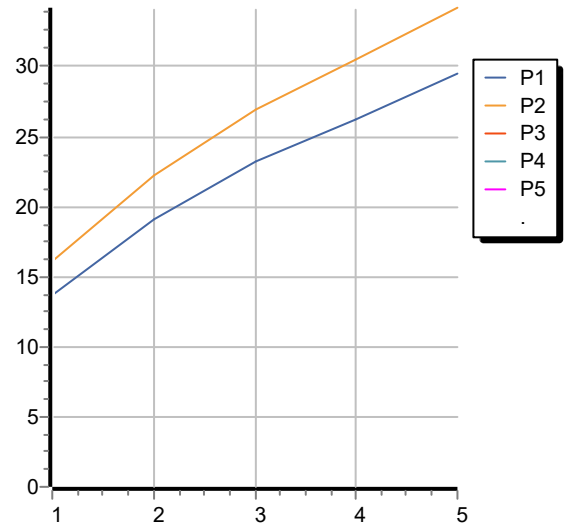


## MEDAMEDA

ZMM802

Portate / Flowrates (lt/min)

PRESSIONE PRESSURE	1 BAR	2 BAR	3 BAR	4 BAR	5 BAR
1 RUBINETTO APERTO <i>P1</i>	13,7	19,1	23,2	26,2	29,5
2 RUBINETTO APERTI 2 TAPS OPENED <i>P2</i>	16,1	22,2	27	30,5	34,2
<i>P3</i>					
<i>P4</i>					
<i>P5</i>					



## MEDAMEDA

ZMM802

Pesi e Misure / Weights and Sizes

Peso ( Kg ) Weight ( lb )	1,70 ( Kg )	3,75 ( lb )
Volume test ( dc3 ) - ( in3 )	7,50 ( dc3 )	457,68 ( in3 )
h ( mm ) - ( in )	90,00 ( mm )	3,54 ( in )
L1 ( mm ) - ( in )	250,00 ( mm )	9,84 ( in )
L2 ( mm ) - ( in )	333,00 ( mm )	13,11 ( in )

