

MEDAMEDA

ZMM801

Termostatico incasso doccia con rubinetto d'arresto. / Built-in thermostatic shower mixer, 1 stop valve.



Termostatico incasso doccia da 3/4", con rubinetto d'arresto. Installazione possibile sia in verticale che in orizzontale.

3/4" built-in thermostatic shower mixer with stop valve. Both vertical and horizontal installation possible.

R96730

Parte incasso / Built-in part



MEDAMEDA

ZMM801

Finiture / Finishes



Cromo / Chrome



C3

Nickel Spazzolato / Brushed Nickel



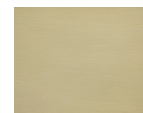
C8

Nickel Lucido / Polished Nickel



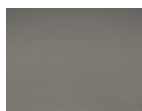
C40

Oro / Gold



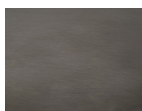
C41

Oro spazzolato / Brushed Gold



C50

Metal Black / Metal Black



C51

Metal Black spazzolato / Brushed Metal Black



N1

Nero Opaco Goffrato / Embossed Matt Black



P31

Brushed PVD British gold / Brushed PVD British gold



P81

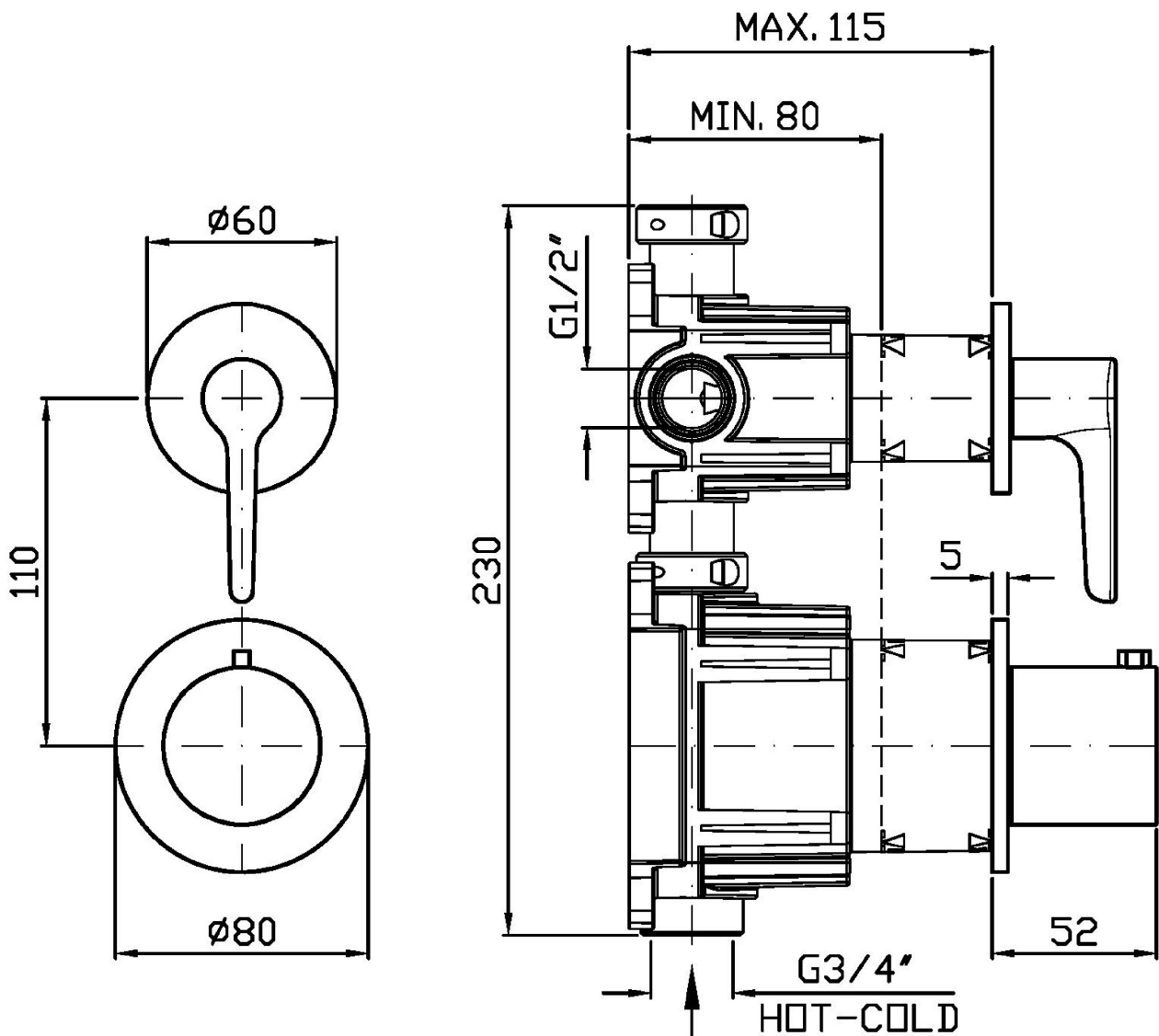
Brushed total black PVD / Brushed total black PVD

Note / Notes

MEDAMEDA

ZMM801

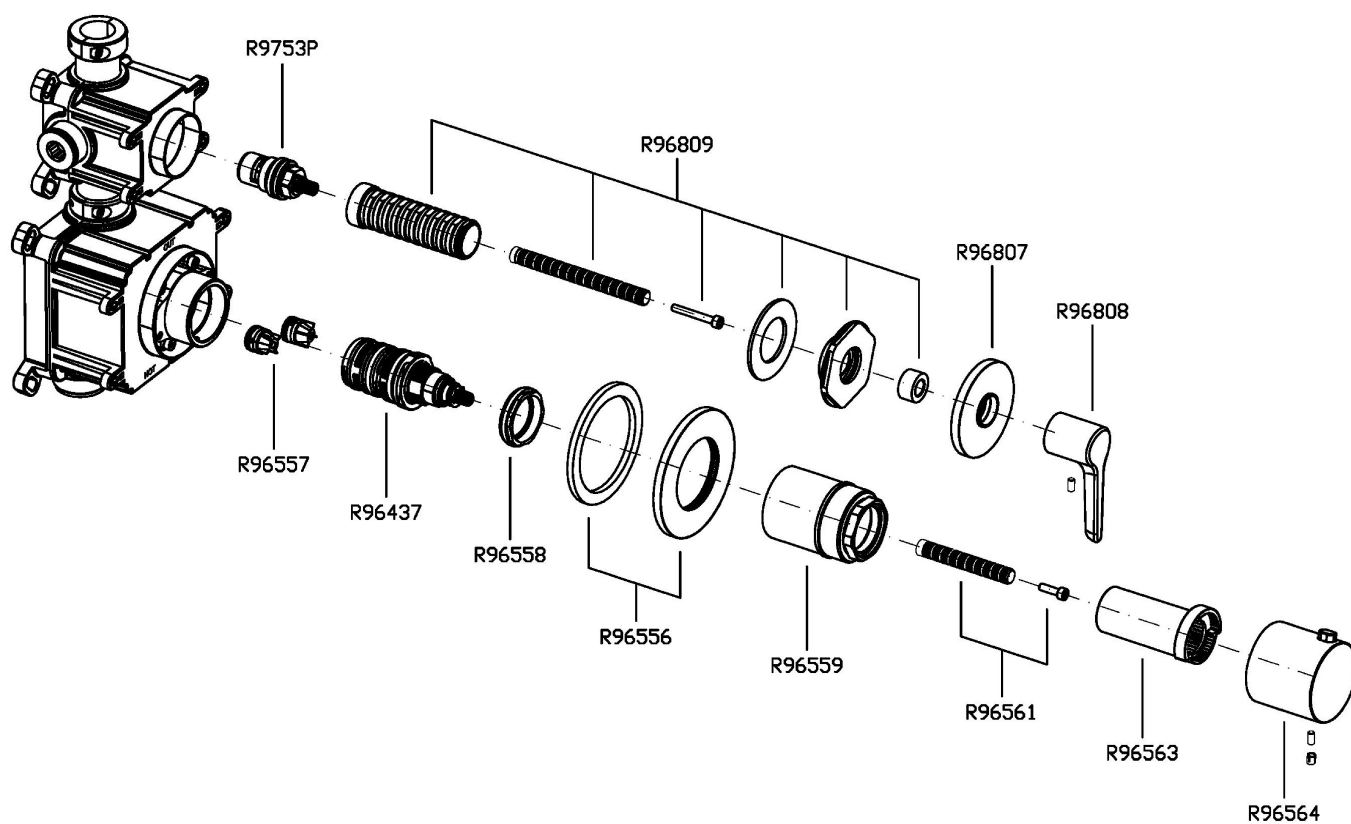
Disegno Complessivo / Overall Drawing



MEDAMEDA

ZMM801

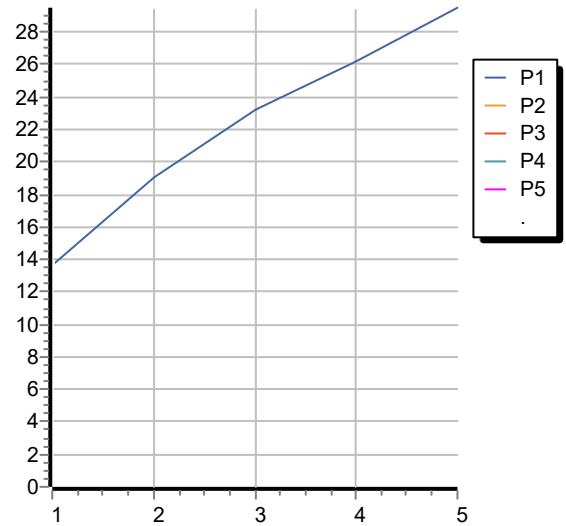
Esplosi / Exploded



MEDAMEDA

ZMM801 Portate / Flowrates (lt/min)

PRESSIONE PRESSURE	1 BAR	2 BAR	3 BAR	4 BAR	5 BAR
1 RUBINETTO APERTO <i>P1</i>	13,7	19,1	23,2	26,2	29,5
<i>P2</i>					
<i>P3</i>					
<i>P4</i>					
<i>P5</i>					



MEDAMEDA

ZMM801 Pesì e Misure / Weights and Sizes

Peso (Kg) Weight (lb)	1,70 (Kg)	3,75 (lb)
Volume test (dc3) - (in3)	7,50 (dc3)	457,68 (in3)
h (mm) - (in)	90,00 (mm)	3,54 (in)
L1 (mm) - (in)	250,00 (mm)	9,84 (in)
L2 (mm) - (in)	333,00 (mm)	13,11 (in)

