

MEDAMEDA

ZMM660

Termostatico incasso doccia con 2 rubinetti d'arresto. / Built-in thermostatic shower mixer with 2 stop valves.













Termostatico incasso doccia da 1/2", con 2 rubinetti d'arresto. Installazione possibile sia in verticale che in orizzontale.
1/2" built-in thermostatic shower mixer with 2 stop valves. Both vertical and horizontal installation possible.

R97821

Parte incasso. / Built-in part.



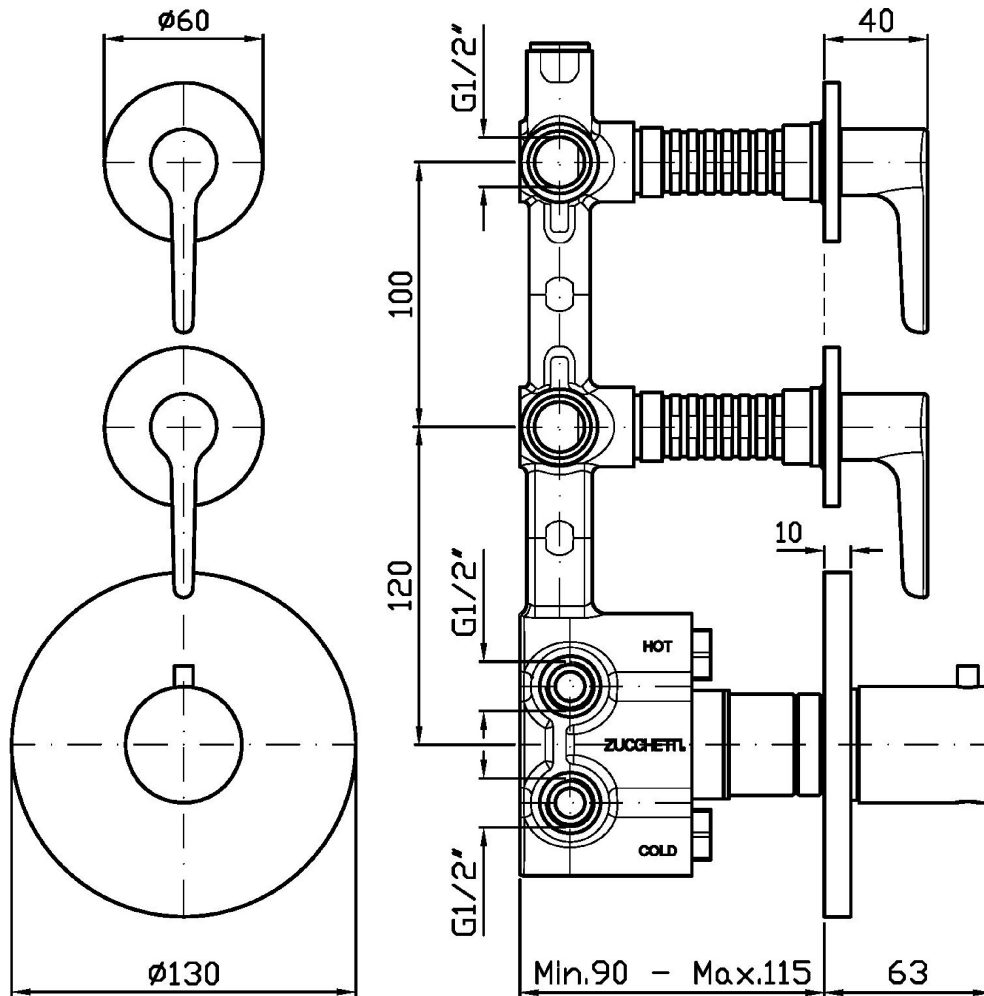
Finiture / Finishes

 Cromo / Chrome	 C3 Nickel Spazzolato / Brushed Nickel	 C8 Nickel Lucido / Polished Nickel	 C40 Oro / Gold	 C41 Oro spazzolato / Brushed Gold	 C50 Metal Black / Metal Black	 C51 Metal Black spazzolato / Brushed Metal Black
 N1 Nero Opaco Goffrato / Embossed Matt Black	 P31 Brushed PVD British gold / Brushed PVD British gold	 P81 Brushed total black PVD / Brushed total black PVD				

MEDAMEDA

ZMM660

Disegno Complessivo / Overall Drawing

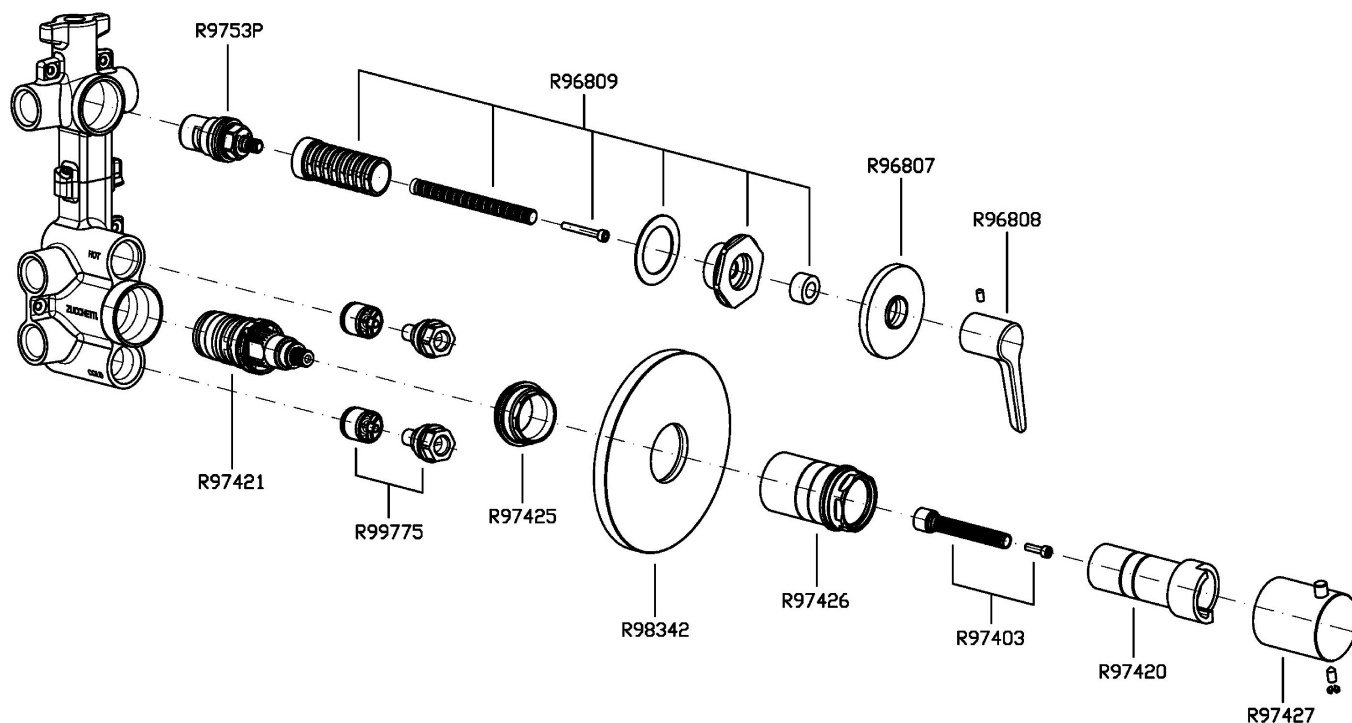


Note / Notes

MEDAMEDA

ZMM660

Esplosi / Exploded

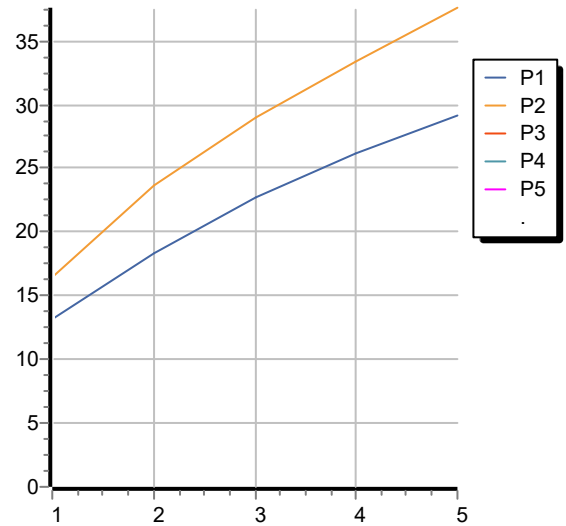


MEDAMEDA

ZMM660

Portate / Flowrates (lt/min)

PRESSIONE PRESSURE	1 BAR	2 BAR	3 BAR	4 BAR	5 BAR
1 RUBINETTO APERTO <i>P1</i>	13,2	18,4	22,7	26,2	29,2
2 RUBINETTI APERTI 2 TAPS OPENED <i>P2</i>	16,5	23,6	29	33,3	37,6
<i>P3</i>					
<i>P4</i>					
<i>P5</i>					



MEDAMEDA

ZMM660

Pesi e Misure / Weights and Sizes

Peso (Kg) Weight (lb)	1,70 (Kg)	3,75 (lb)
Volume test (dc3) - (in3)	11,00 (dc3)	671,26 (in3)
h (mm) - (in)	90,00 (mm)	3,54 (in)
L1 (mm) - (in)	335,00 (mm)	13,19 (in)
L2 (mm) - (in)	365,00 (mm)	14,37 (in)

