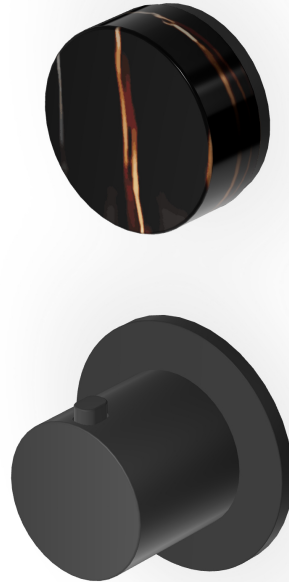


## ISY22

ZIS5801.N6

Termostatico incasso doccia con rubinetto d'arresto. / Built-in thermostatic shower mixer, 1 stop valve.



Termostatico incasso doccia da 3/4", con rubinetto d'arresto. Installazione possibile sia in verticale che in orizzontale.

3/4" built-in thermostatic shower mixer with stop valve. Both vertical and horizontal installation possible.

R96730

Parte incasso / Built-in part



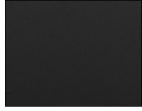
Marchio / Brand ZUCCHETTI

Classe / Class WW

## ISY22

ZIS5801.N6

Finiture / Finishes



**N6**

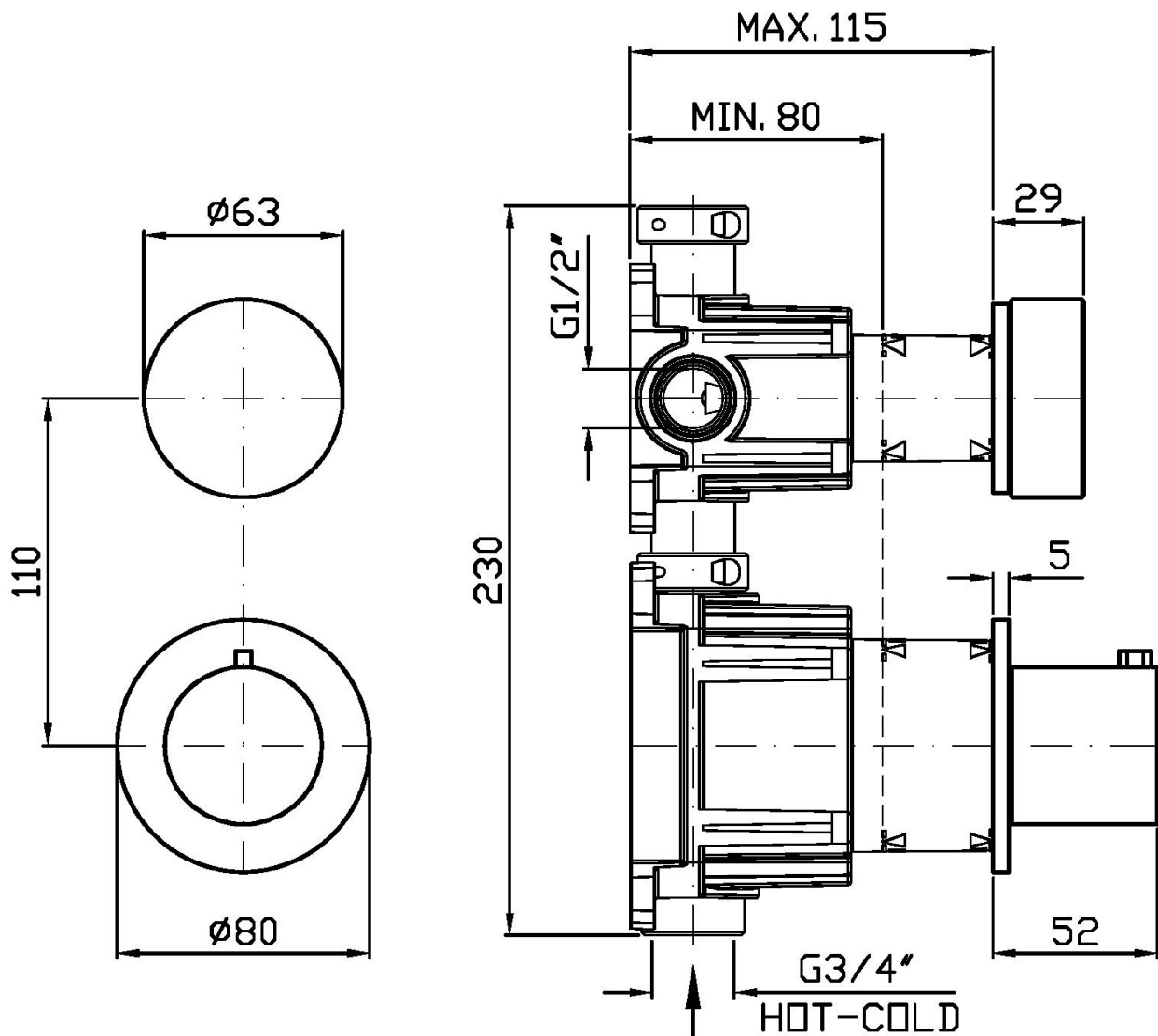
Nero opaco / Matt black

Note / Notes

## ISY22

ZIS5801.N6

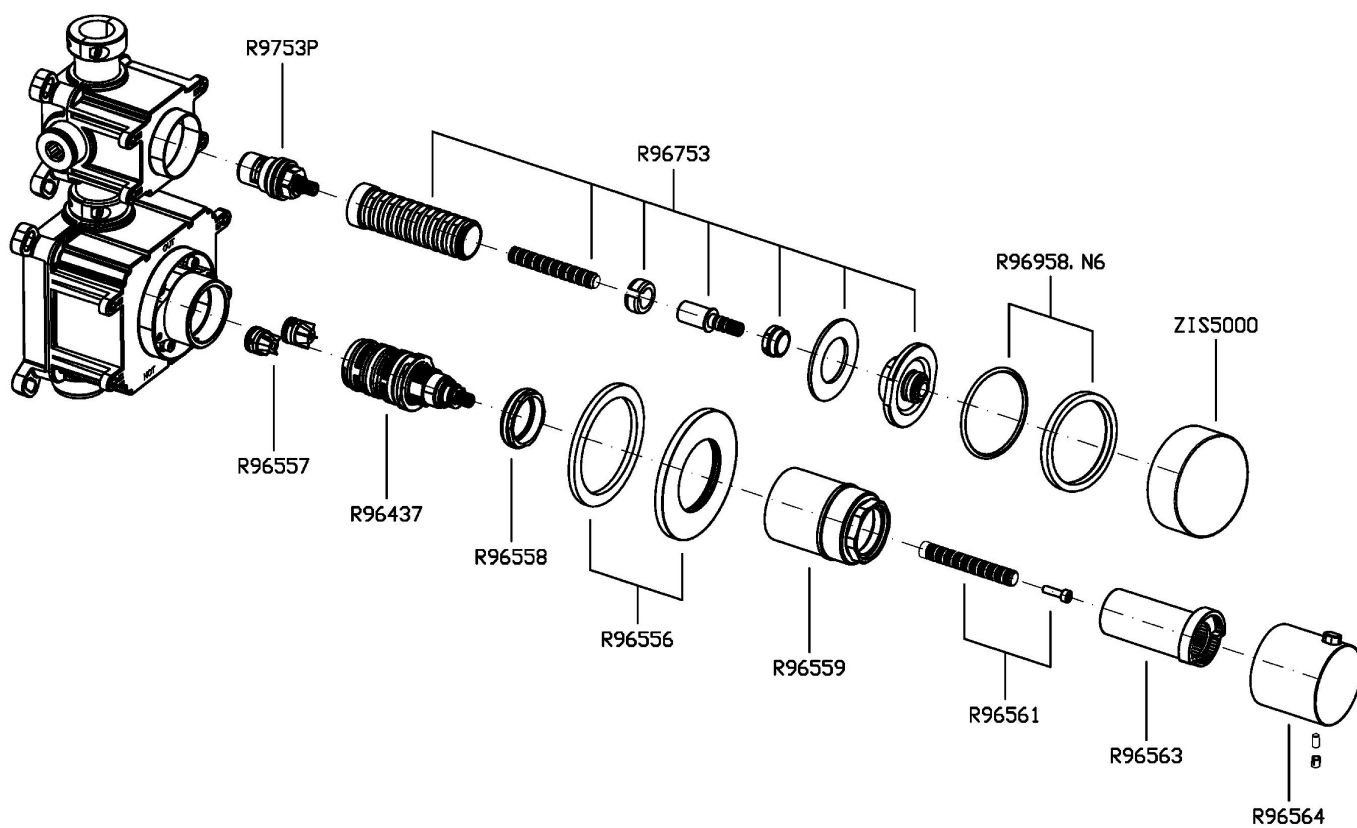
Disegno Complessivo / Overall Drawing



## ISY22

ZIS5801.N6

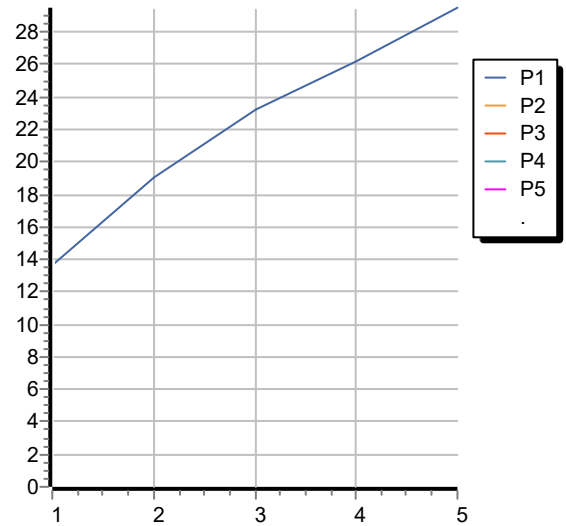
Esplosi / Exploded



## ISY22

### ZIS5801.N6 Portate / Flowrates (lt/min)

| PRESSIONE<br>PRESSURE           | 1 BAR | 2 BAR | 3 BAR | 4 BAR | 5 BAR |
|---------------------------------|-------|-------|-------|-------|-------|
| 1 RUBINETTO APERTO<br><i>P1</i> | 13,7  | 19,1  | 23,2  | 26,2  | 29,5  |
| <i>P2</i>                       |       |       |       |       |       |
| <i>P3</i>                       |       |       |       |       |       |
| <i>P4</i>                       |       |       |       |       |       |
| <i>P5</i>                       |       |       |       |       |       |



## ISY22

### ZIS5801.N6 Pesi e Misure / Weights and Sizes

|                               |               |                |
|-------------------------------|---------------|----------------|
| Peso ( Kg ) Weight ( lb )     | 1,80 ( Kg )   | 3,97 ( lb )    |
| Volume test ( dc3 ) - ( in3 ) | 7,50 ( dc3 )  | 457,68 ( in3 ) |
| h ( mm ) - ( in )             | 90,00 ( mm )  | 3,54 ( in )    |
| L1 ( mm ) - ( in )            | 250,00 ( mm ) | 9,84 ( in )    |
| L2 ( mm ) - ( in )            | 333,00 ( mm ) | 13,11 ( in )   |

