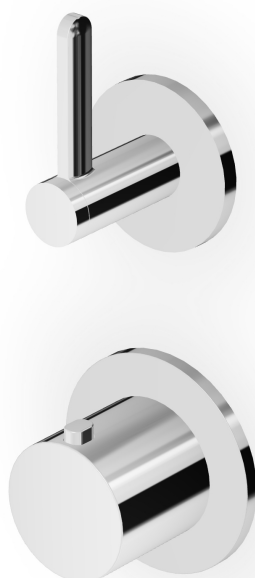


## ISY22

ZIS3806

Termostatico incasso doccia con deviatore 2/3 vie. / Built-in thermostatic shower mixer, 2/3 way diverter.



Termostatico incasso doccia da 3/4" e deviatore a 2/3 vie con apertura/chiusura acqua. Installazione possibile sia in verticale che in orizzontale.

3/4" built-in thermostatic shower mixer and 2/3 way diverter with water on/off function. Both vertical and horizontal installation possible.

R96734

Parte incasso, deviatore a 2 vie. / Built-in part,  
2 way diverter



R96735

Parte incasso, deviatore a 3 vie. / Built-in part,  
3 way diverter.



## ISY22

ZIS3806

### Finiture / Finishes

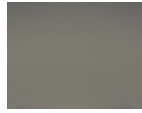


Cromo / Chrome



**C3**

Nickel Spazzolato / Brushed Nickel



**C50**

Metal Black / Metal Black



**C51**

Metal Black spazzolato / Brushed Metal Black



**N6**

Nero opaco / Matt black



**P21**

PVD brushed chocolate / PVD brushed chocolate



**P31**

Brushed PVD British gold / Brushed PVD British gold



**P91**

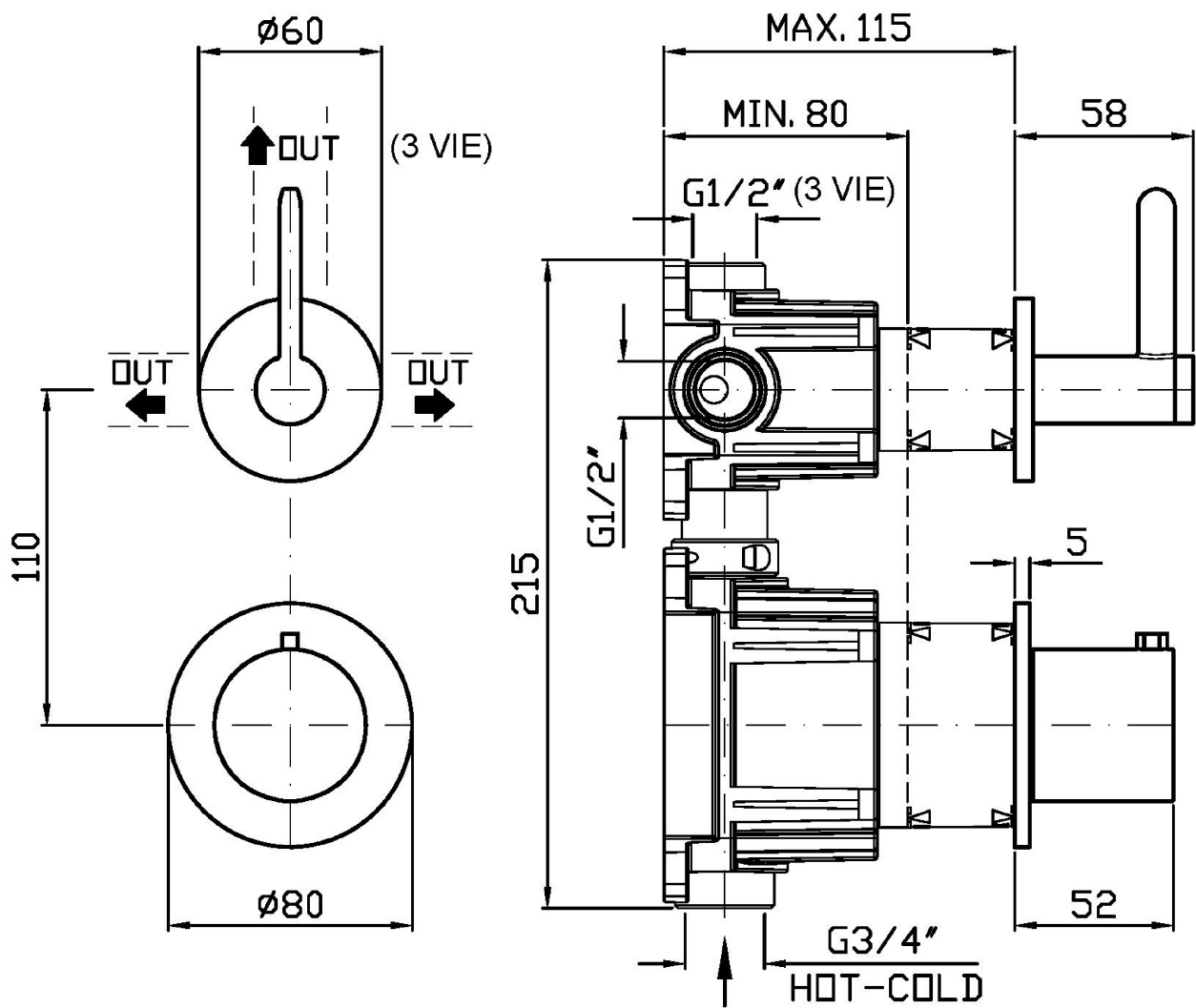
Brushed PVD Copper / Brushed PVD Copper

### Note / Notes

## ISY22

ZIS3806

Disegno Complessivo / Overall Drawing

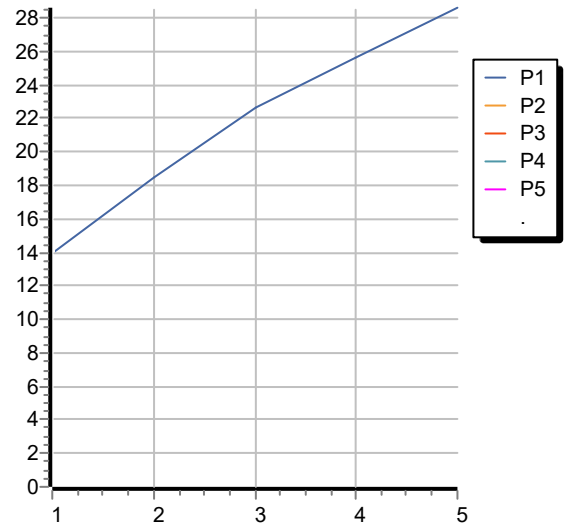


## ISY22

ZIS3806

Portate / Flowrates (lt/min)

PRESSIONE PRESSURE	1 BAR	2 BAR	3 BAR	4 BAR	5 BAR
DEVIATORE <i>P1</i>	14	18,5	22,6	25,6	28,6
<i>P2</i>					
<i>P3</i>					
<i>P4</i>					
<i>P5</i>					



## ISY22

ZIS3806

Pesi e Misure / Weights and Sizes

Peso ( Kg ) Weight ( lb )	1,70 ( Kg )	3,75 ( lb )
Volume test ( dc3 ) - ( in3 )	7,50 ( dc3 )	457,68 ( in3 )
h ( mm ) - ( in )	90,00 ( mm )	3,54 ( in )
L1 ( mm ) - ( in )	250,00 ( mm )	9,84 ( in )
L2 ( mm ) - ( in )	330,00 ( mm )	12,99 ( in )

