

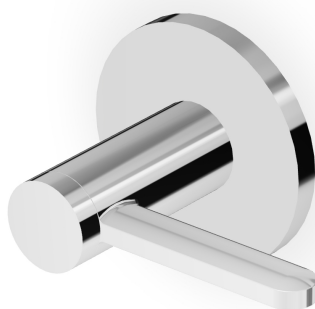
Marchio / Brand ZUCCHETTI

Classe / Class WW

## ISY22

ZIS3729

Rubinetto incasso. / Wall valve.



Rubinetto incasso da 1/2".

1/2" wall valve.

R99779

Parte incasso. / Built-in part.



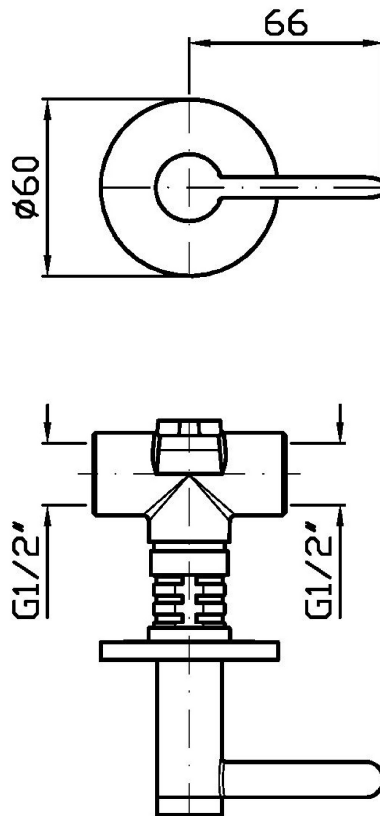
## Finiture / Finishes

 Croma / Chrome	 C3 Nickel Spazzolato / Brushed Nickel	 C50 Metal Black / Metal Black	 C51 Metal Black spazzolato / Brushed Metal Black	 N6 Nero opaco / Matt black	 L5 Blu mediterraneo / Mediterranean blu	 P21 PVD brushed chocolate / PVD brushed chocolate
 P31 Brushed PVD British gold / Brushed PVD British gold	 P91 Brushed PVD Copper / Brushed PVD Copper					

## ISY22

ZIS3729

Disegno Complessivo / Overall Drawing

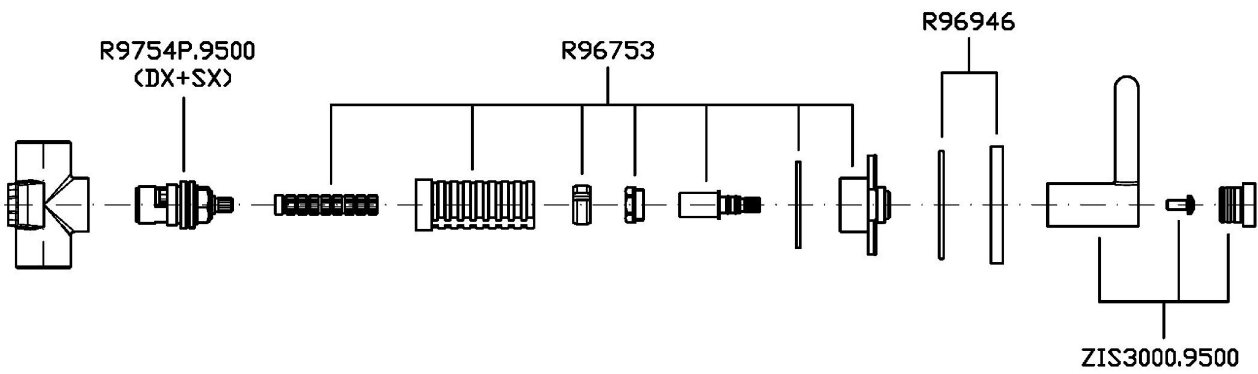


Note / Notes

## ISY22

ZIS3729

Esplosi / Exploded

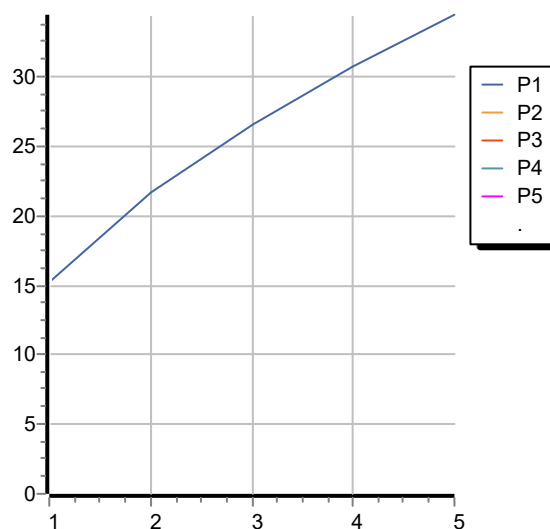


## ISY22

ZIS3729

Portate / Flowrates (lt/min)

PRESSIONE PRESSURE	1 BAR	2 BAR	3 BAR	4 BAR	5 BAR
1 RUBINETTO APERTO <i>P1</i>	15,3	21,7	26,6	30,7	34,5
<i>P2</i>					
<i>P3</i>					
<i>P4</i>					
<i>P5</i>					



## ISY22

ZIS3729

Pesi e Misure / Weights and Sizes

Peso ( Kg ) Weight ( lb )	0,69 ( Kg )	1,52 ( lb )
Volume test ( dc3 ) - ( in3 )	1,21 ( dc3 )	73,84 ( in3 )
h ( mm ) - ( in )	73,00 ( mm )	2,87 ( in )
L1 ( mm ) - ( in )	127,00 ( mm )	5,00 ( in )
L2 ( mm ) - ( in )	130,00 ( mm )	5,12 ( in )

