

ISY22

ZIS3659

Termostatico incasso doccia con rubinetto d'arresto. / Built-in thermostatic shower mixer with stop valve.



Termostatico incasso doccia da 1/2", con rubinetto d'arresto. Installazione possibile sia in verticale che in orizzontale.

1/2" built-in thermostatic shower mixer with stop valve. Both vertical and horizontal installation possible.

R97820

Parte incasso. / Built-in part.



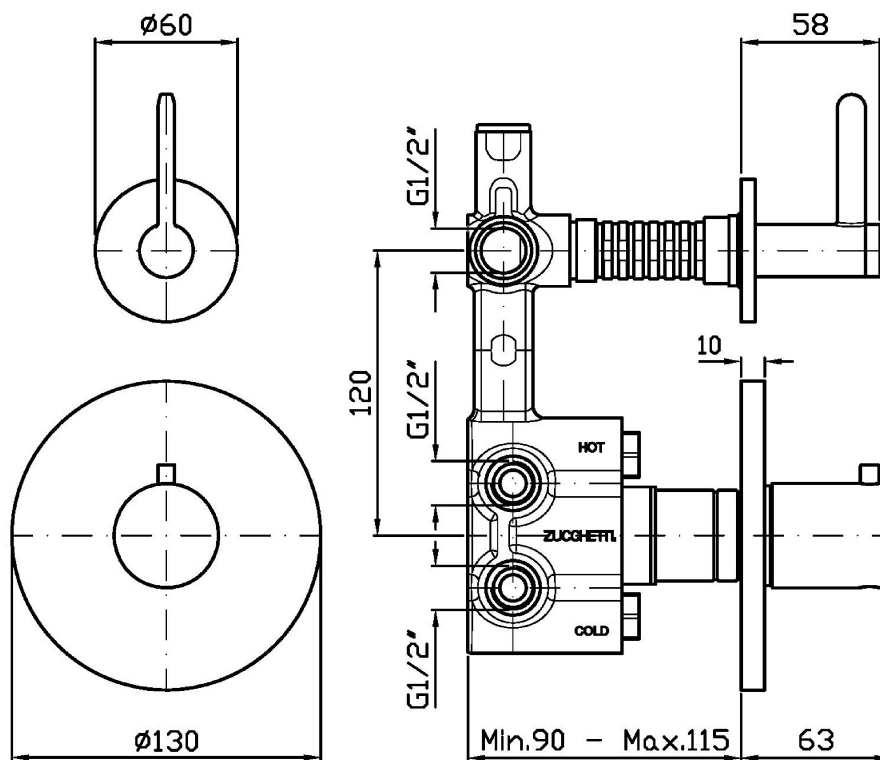
Finiture / Finishes

 Croma / Chrome	 C3 Nickel Spazzolato / Brushed Nickel	 C50 Metal Black / Metal Black	 C51 Metal Black spazzolato / Brushed Metal Black	 N6 Nero opaco / Matt black	 L5 Blu mediterraneo / Mediterranean blu	 P21 PVD brushed chocolate / PVD brushed chocolate
 P31 Brushed PVD British gold / Brushed PVD British gold	 P91 Brushed PVD Copper / Brushed PVD Copper					

ISY22

ZIS3659

Disegno Complessivo / Overall Drawing

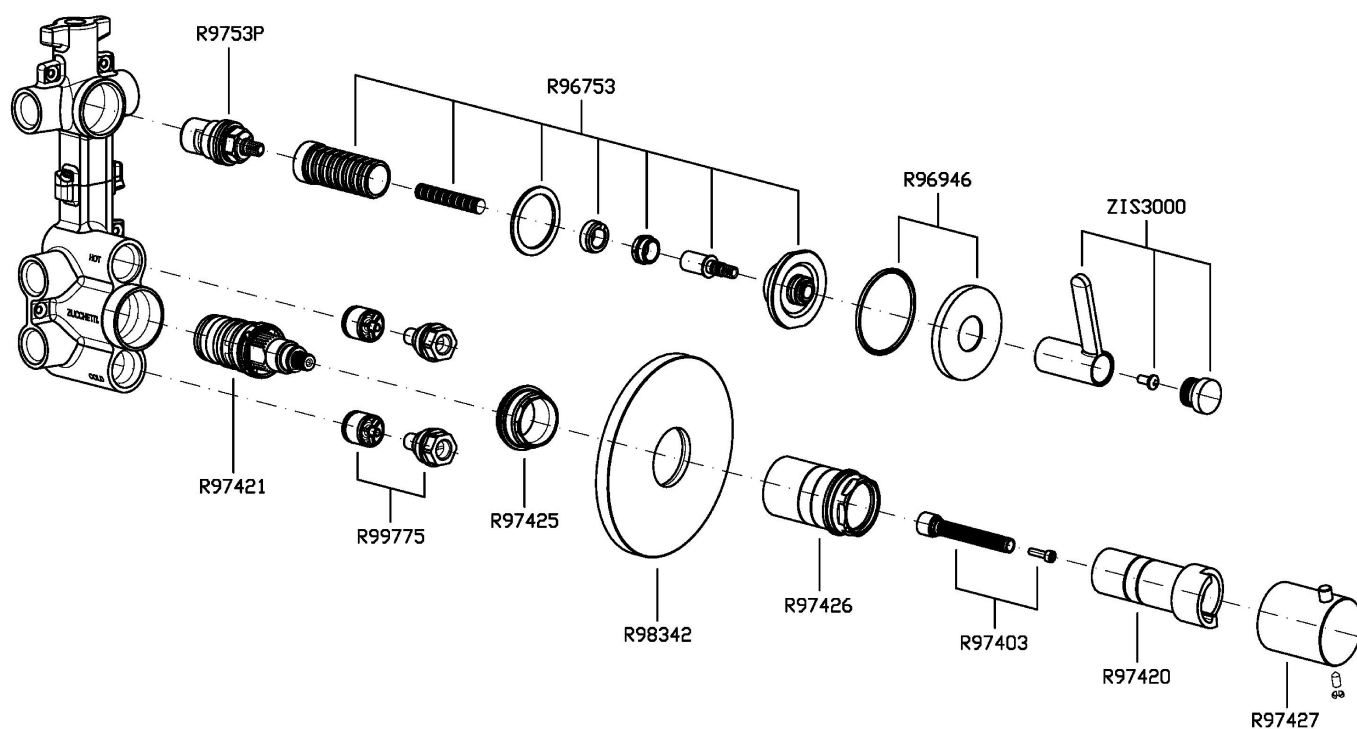


Note / Notes

ISY22

ZIS3659

Esplosi / Exploded

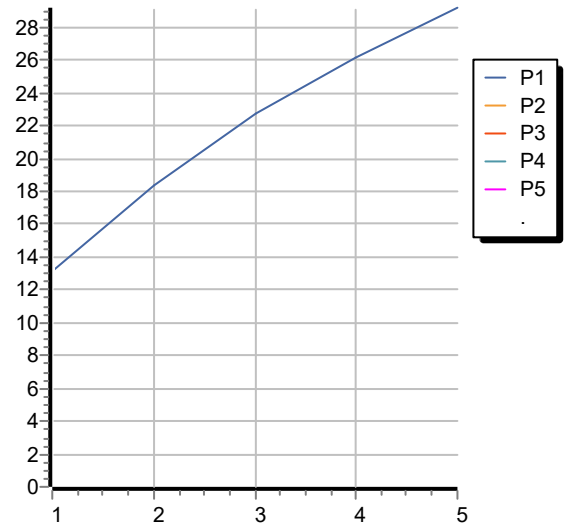


ISY22

ZIS3659

Portate / Flowrates (lt/min)

PRESSIONE PRESSURE	1 BAR	2 BAR	3 BAR	4 BAR	5 BAR
1 RUBINETTO APERTO <i>P1</i>	13,2	18,4	22,7	26,2	29,2
<i>P2</i>					
<i>P3</i>					
<i>P4</i>					
<i>P5</i>					



ISY22

ZIS3659

Pesi e Misure / Weights and Sizes

Peso (Kg) Weight (lb)	1,70 (Kg)	3,75 (lb)
Volume test (dc3) - (in3)	11,00 (dc3)	671,26 (in3)
h (mm) - (in)	90,00 (mm)	3,54 (in)
L1 (mm) - (in)	335,00 (mm)	13,19 (in)
L2 (mm) - (in)	365,00 (mm)	14,37 (in)

