

ISY22

ZIS1737

Rubinetto elettronico incasso lavabo. / Built-in electronic basin mixer.



Rubinetto elettronico incasso lavabo con sensore fotocellula nell'aeratore, alimentazione a batteria. Senza miscelazione acqua. Lunghezza bocca 190 mm.

Water Saving - portata d'acqua uguale o inferiore a 6 l/min.

Built-in electronic basin mixer with photocell sensor aerator, powered by batteries. Without mixing water. Spout projection 190 mm.

Water Saving - water flow rate of 6 l/min or less.

R97833



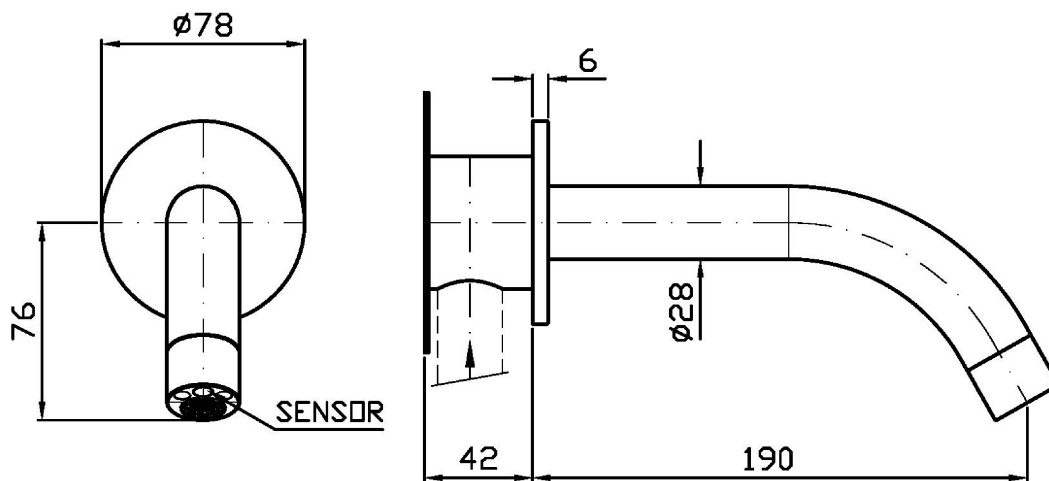
Finiture / Finishes

						
Cromo / Chrome	Nickel Spazzolato / Brushed Nickel	Metal Black / Metal Black	Metal Black spazzolato / Brushed Metal Black	Nero opaco / Matt black	Blu mediterraneo / Mediterranean blu	PVD brushed chocolate / PVD brushed chocolate
						
Brushed PVD British gold / Brushed PVD British gold	Brushed PVD Copper / Brushed PVD Copper					

ISY22

ZIS1737

Disegno Complessivo / Overall Drawing



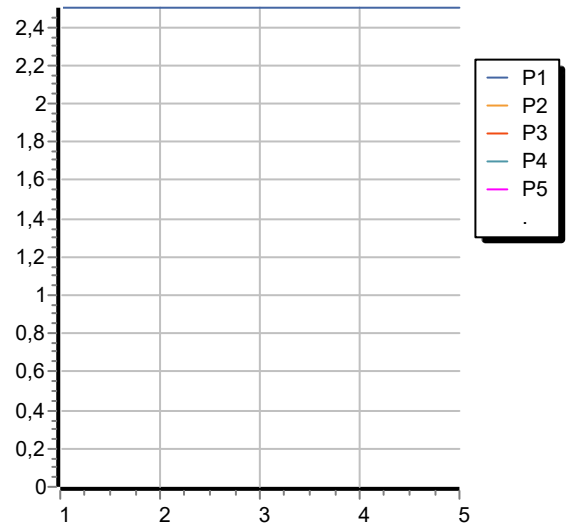
Note / Notes

ISY22

ZIS1737

Portate / Flowrates (lt/min)

PRESSIONE PRESSURE	1 BAR	2 BAR	3 BAR	4 BAR	5 BAR
P1 LAVABO BASIN	2,5	2,5	2,5	2,5	2,5
P2					
P3					
P4					
P5					



ISY22

ZIS1737

Pesi e Misure / Weights and Sizes

Peso (Kg) Weight (lb)	1,40 (Kg)	3,09 (lb)
Volume test (dc3) - (in3)	7,50 (dc3)	457,68 (in3)
h (mm) - (in)	90,00 (mm)	3,54 (in)
L1 (mm) - (in)	250,00 (mm)	9,84 (in)
L2 (mm) - (in)	333,00 (mm)	13,11 (in)

