

ISY22

ZIS090

Miscelatore monocomando incasso doccia. / Built-in single lever shower mixer.



Miscelatore monocomando incasso doccia, per corpo incasso universale Zetasystem R97800.

Built-in single lever shower mixer, for Zetasystem (R97800) universal built-in body.

R97800

Zetasystem - Corpo incasso universale / Basin spout Medamedia



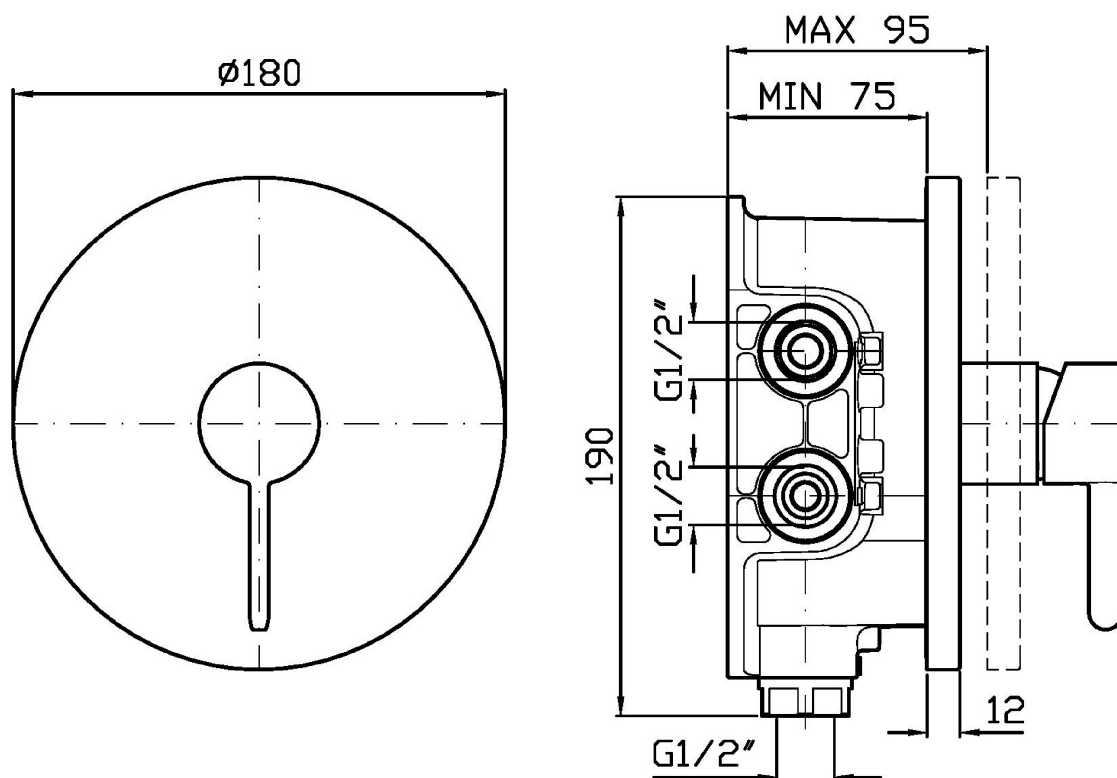
Finiture / Finishes

						
Cromo / Chrome	Nickel Spazzolato / Brushed Nickel	Metal Black / Metal Black	Metal Black spazzolato / Brushed Metal Black	Nero opaco / Matt black	Blu mediterraneo / Mediterranean blu	PVD brushed chocolate / PVD brushed chocolate
						
Brushed PVD British gold / Brushed PVD British gold	Brushed PVD Copper / Brushed PVD Copper					

ISY22

ZIS090

Disegno Complessivo / Overall Drawing



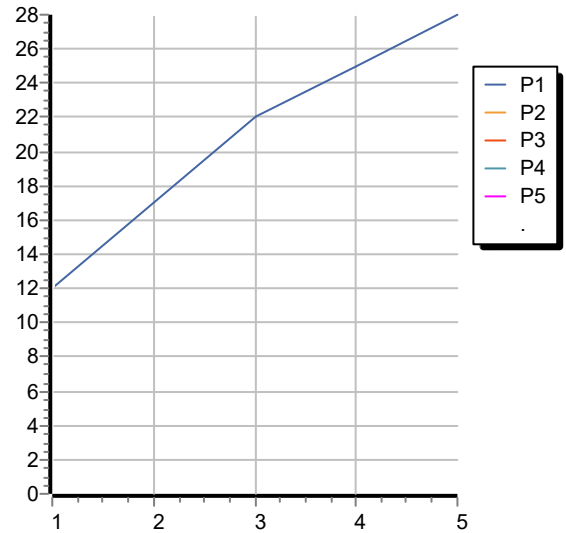
Note / Notes

ISY22

ZIS090

Portate / Flowrates (lt/min)

PRESSIONE PRESSURE	1 BAR	2 BAR	3 BAR	4 BAR	5 BAR
USCITA PRIMARIA PRIMARY OUTLET <i>P1</i>	12	17	22	25	28
<i>P2</i>					
<i>P3</i>					
<i>P4</i>					
<i>P5</i>					



ISY22

ZIS090

Pesi e Misure / Weights and Sizes

Peso (Kg) Weight (lb)	3,00 (Kg)	6,61 (lb)
Volume test (dc3) - (in3)	7,50 (dc3)	457,68 (in3)
h (mm) - (in)	90,00 (mm)	3,54 (in)
L1 (mm) - (in)	250,00 (mm)	9,84 (in)
L2 (mm) - (in)	333,00 (mm)	13,11 (in)

