

## JINGLE

ZIN806

Termostatico incasso doccia con deviatore 2/3 vie. / Built-in thermostatic shower mixer, 2/3 way diverter.



Termostatico incasso doccia da 3/4" e deviatore a 2/3 vie con apertura/chiusura acqua. Installazione possibile sia in verticale che in orizzontale.

3/4" built-in thermostatic shower mixer and 2/3 way diverter with water on/off function. Both vertical and horizontal installation possible.

R96734

Parte incasso, deviatore a 2 vie. / Built-in part,  
2 way diverter



R96735

Parte incasso, deviatore a 3 vie. / Built-in part,  
3 way diverter.



## JINGLE

ZIN806

Finiture / Finishes



Croma / Chrome



**C3**

Nickel Spazzolato / Brushed Nickel



**C8**

Nickel Lucido / Polished Nickel



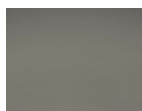
**C40**

Oro / Gold



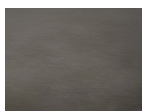
**C41**

Oro spazzolato / Brushed Gold



**C50**

Metal Black / Metal Black



**C51**

Metal Black spazzolato / Brushed Metal Black



**W1**

Bianco Opaco Goffrato / Embossed Matt White



**N1**

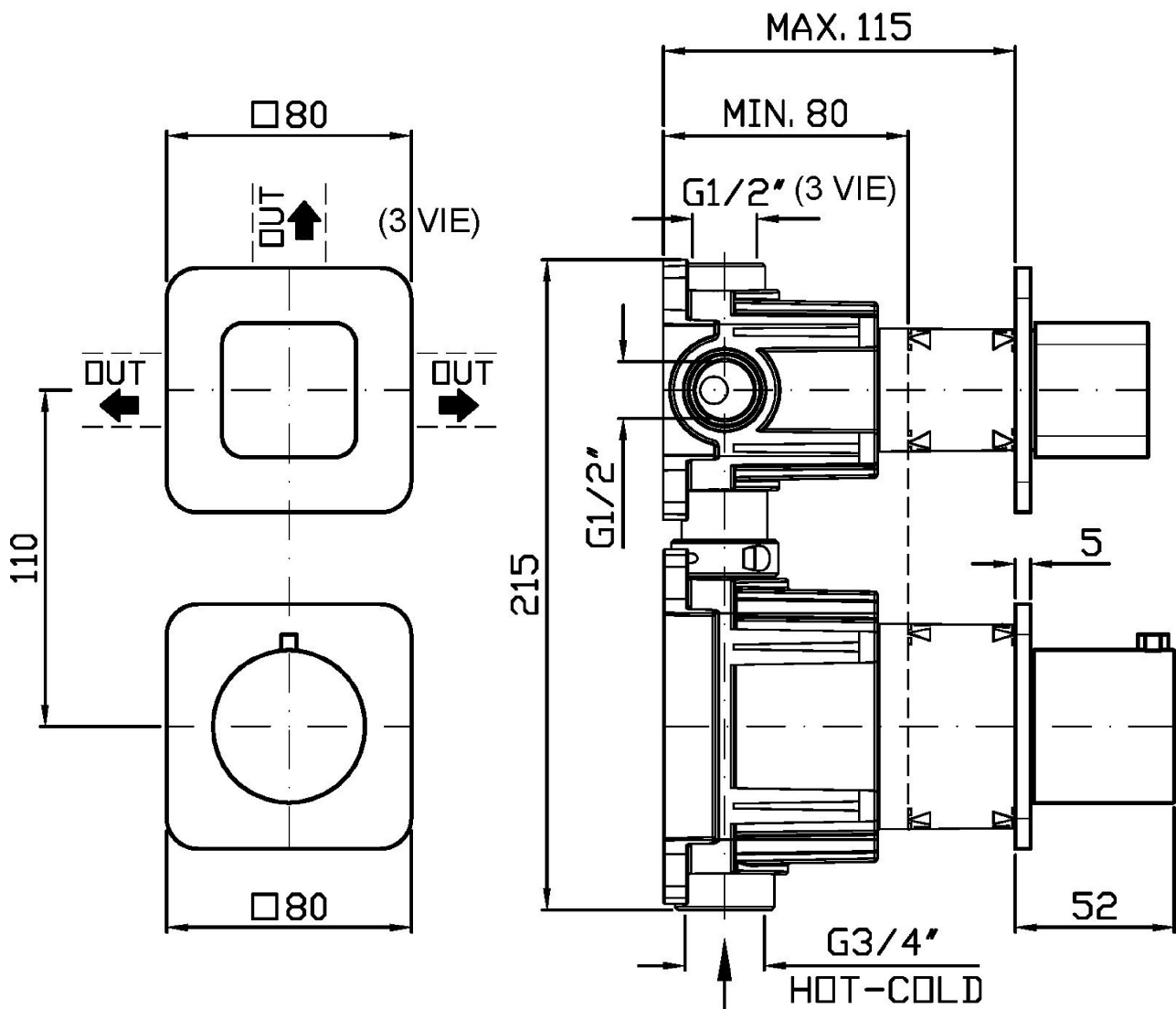
Nero Opaco Goffrato / Embossed Matt Black

Note / Notes

## JINGLE

ZIN806

Disegno Complessivo / Overall Drawing

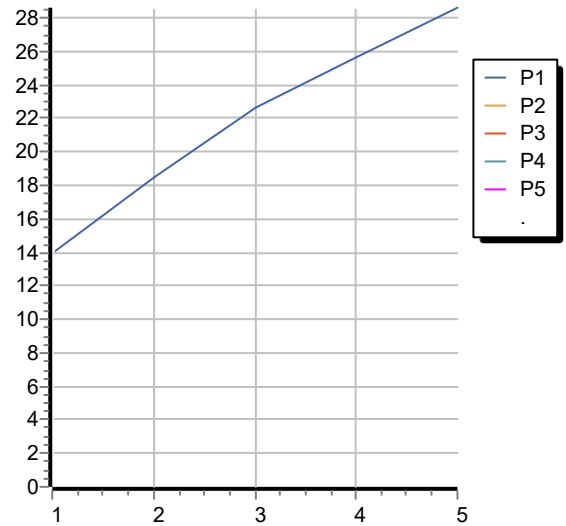


## JINGLE

ZIN806

Portate / Flowrates (lt/min)

| PRESSIONE<br>PRESSURE  | 1 BAR | 2 BAR | 3 BAR | 4 BAR | 5 BAR |
|------------------------|-------|-------|-------|-------|-------|
| DEVIATORE<br><i>P1</i> | 14    | 18,5  | 22,6  | 25,6  | 28,6  |
| <i>P2</i>              |       |       |       |       |       |
| <i>P3</i>              |       |       |       |       |       |
| <i>P4</i>              |       |       |       |       |       |
| <i>P5</i>              |       |       |       |       |       |



## JINGLE

ZIN806

Pesi e Misure / Weights and Sizes

|                               |               |                |
|-------------------------------|---------------|----------------|
| Peso ( Kg ) Weight ( lb )     | 1,50 ( Kg )   | 3,31 ( lb )    |
| Volume test ( dc3 ) - ( in3 ) | 7,50 ( dc3 )  | 457,68 ( in3 ) |
| h ( mm ) - ( in )             | 90,00 ( mm )  | 3,54 ( in )    |
| L1 ( mm ) - ( in )            | 335,00 ( mm ) | 13,19 ( in )   |
| L2 ( mm ) - ( in )            | 333,00 ( mm ) | 13,11 ( in )   |

