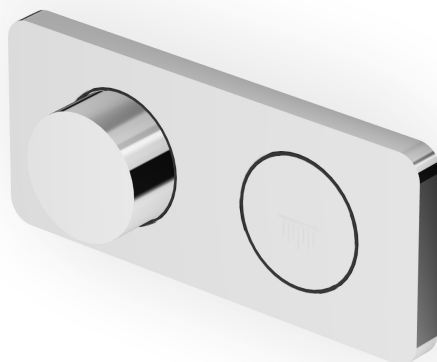


## HOOP

ZHO820

Termostatico incasso doccia a pulsante. / Built-in thermostatic shower mixer, with on-off button.



Termostatico incasso doccia da 1/2", combinazione con pulsante on-off per soffi one. Installazione possibile sia in verticale che in orizzontale.

1/2" built-in thermostatic shower mixer, arrangement with on-off button for shower head. Both vertical and horizontal installation possible.

R96701

Parte incasso / Built-in part



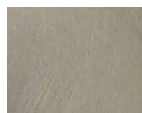
## HOOP

ZHO820

### Finiture / Finishes



Croma / Chrome



Nickel Spazzolato / Brushed Nickel

**C3**



Nickel Lucido / Polished Nickel

**C8**



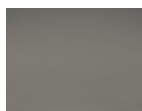
Oro / Gold

**C40**



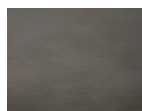
Oro spazzolato / Brushed Gold

**C41**



Metal Black / Metal Black

**C50**



Metal Black spazzolato / Brushed Metal Black

**C51**



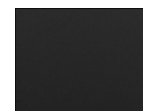
Bianco Opaco Goffrato / Embossed Matt White

**W1**



Nero Opaco Goffrato / Embossed Matt Black

**N1**



Nero opaco / Matt black

**N6**



PVD brushed chocolate / PVD brushed chocolate

**P21**



Brushed PVD British gold / Brushed PVD British gold

**P31**



PVD Oro Spazzolato / PVD Brushed Gold

**P41**



Brushed total black PVD / Brushed total black PVD

**P81**



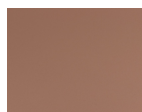
Brushed PVD Copper / Brushed PVD Copper

**P91**



Glossy gesso / Glossy gesso

**J3**



Pearl cipria / Pearl cipria

**K7**



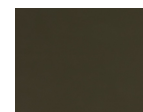
Pearl chili / Pearl chili

**R6**



Pearl salvia / Pearl salvia

**V7**



Matt mirto / Matt mirto

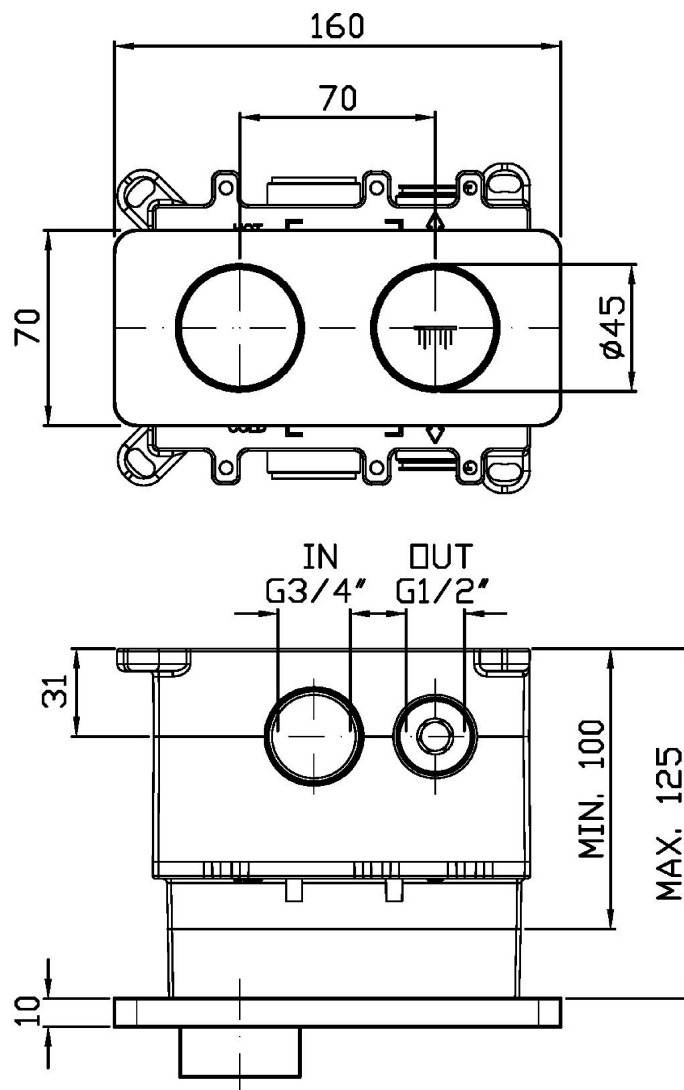
**V8**

### Note / Notes

## HOOP

ZHO820

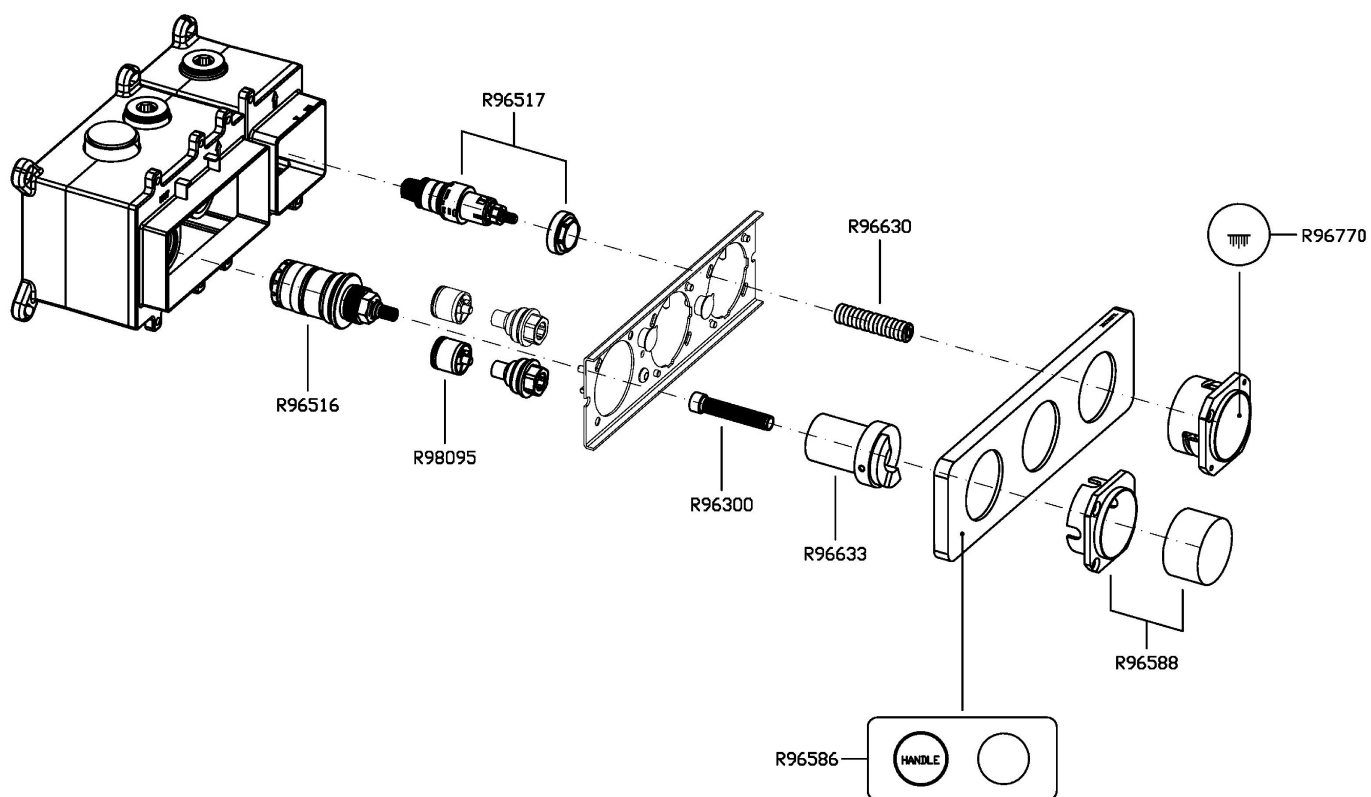
Disegno Complessivo / Overall Drawing



## HOOP

ZHO820

Esplosi / Exploded

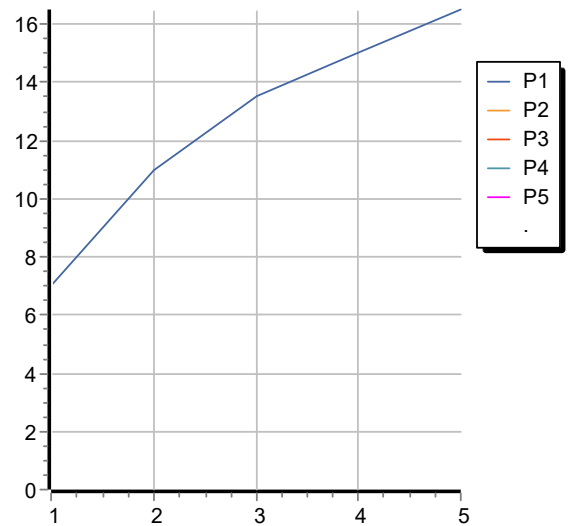


## HOOP

ZHO820

Portate / Flowrates (lt/min)

PRESSIONE PRESSURE	1 BAR	2 BAR	3 BAR	4 BAR	5 BAR
1 RUBINETTO APERTO P1 1 TAP OPENED	7	11	13,5	15	16,5
P2					
P3					
P4					
P5					



## HOOP

ZHO820

Pesi e Misure / Weights and Sizes

Peso ( Kg ) Weight ( lb )	1,40 ( Kg )	3,09 ( lb )
Volume test ( dc3 ) - ( in3 )	7,50 ( dc3 )	457,68 ( in3 )
h ( mm ) - ( in )	90,00 ( mm )	3,54 ( in )
L1 ( mm ) - ( in )	250,00 ( mm )	9,84 ( in )
L2 ( mm ) - ( in )	333,00 ( mm )	13,11 ( in )

