

HELM

ZHL760.X

Batteria lavabo incasso a 3 fori. / 3 hole built-in basin mixer.



Batteria lavabo incasso a 3 fori in acciaio inox AISI 316L, con aeratore. Lunghezza bocca 175 mm.
Water Saving - portata d'acqua uguale o inferiore a 6 l/min.

3 hole built-in basin mixer in AISI 316L stainless steel, with aerator. Spout L. 175 mm.
Water Saving - water flow rate of 6 l/min or less.

R99500

Parte incasso corpo unico. / Assembled built-in part.



R99504

Parte incasso con elementi liberi, distanza variabile / Built-in part, not assembled, variable distance.



HELM

ZHL760.X

Finiture / Finishes



X

Acciaio inox spazzolato /
Brushed stainless steel



XG2

Acciaio inox spazz.-godr.
verticale / Br. stainless
steel-Vertical knurling



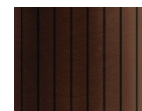
XG3

Acciaio inox
spazz.-godronatura diagonale
/ Br. stainless steel-diagonal



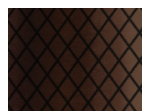
XP21

Brushed PVD chocolate /
Brushed PVD chocolate



XP21G

Brushed PVD chocolate
godronatura verticale /
Brush PVD chocolate-vertical



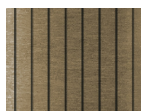
XP21G

Brushed PVD
chocolate-godronatura
diagonale / Brush PVD



XP31

Brushed PVD British gold /
Brushed PVD British gold



XP31G

Br. PVD British gold-godr.
verticale / Br. PVD British
gold-vertical knurling



XP31G

Br. PVD British gold-godr.
diagonale / Br. PVD British
gold-diagonal knurling



XP41

Brushed PVD gold / Brushed
PVD gold



XP41G

Br. PVD gold-godronatura
verticale / Brushed PVD
gold-vertical knurling



XP41G

Br. PVD gold-godr. diagonale /
Br. PVD gold-diagonal knurling



XP81

PVD Brushed Total Black /
PVD Brushed Total Black



XP81G

Br. PVD Total Black-godr.
verticale / Br. PVD Total
Black-vertical knurling



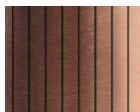
XP81G

Br. PVD Total Black-godr.
diagonale / Br. PVD Total
Black-diagonal knurling



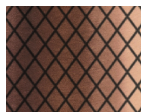
XP91

Brushed PVD copper /
Brushed PVD copper



XP91G

Br. PVD copper-godr.
verticale / Br. PVD
copper-vertical knurling



XP91G

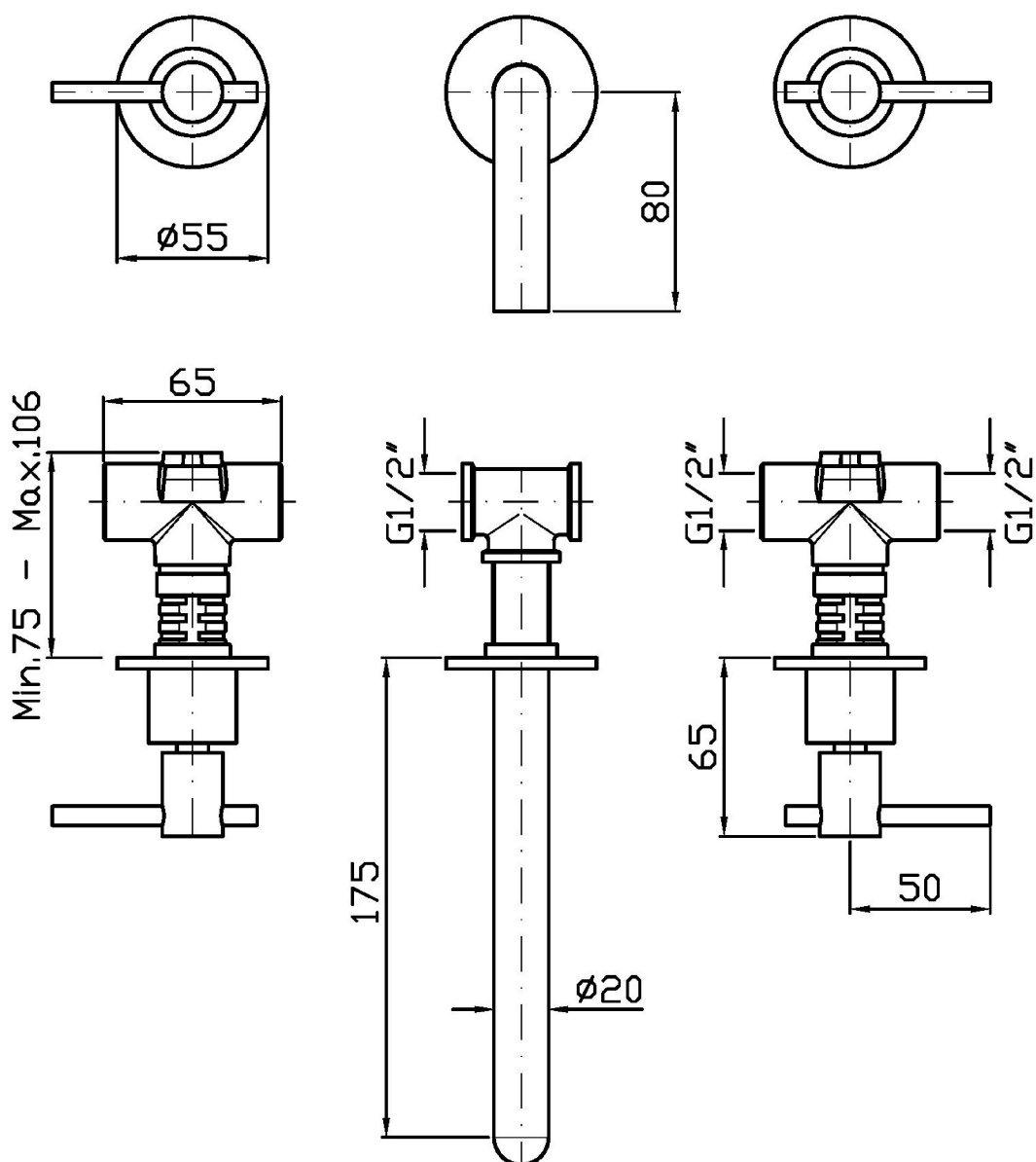
Br. PVD copper-godr.
diagonale / Br. PVD
copper-diagonal knurling

Note / Notes

HELM

ZHL760.X

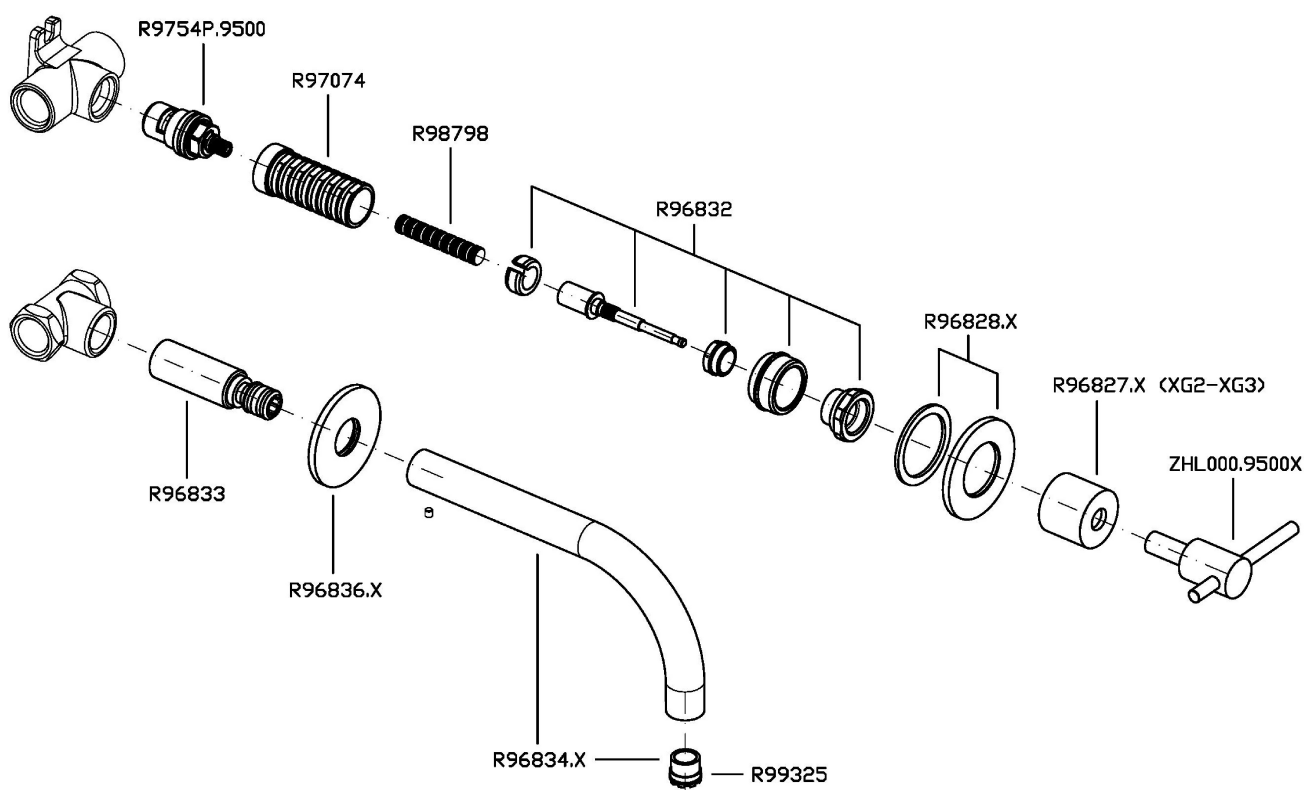
Disegno Complessivo / Overall Drawing



HELM

ZHL760.X

Esplosi / Exploded



HELM

ZHL760.X

Certificazioni / Certifications

INGHILTERRA

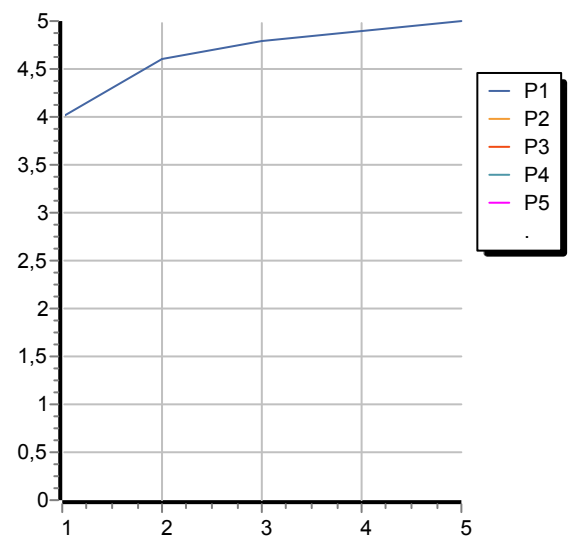
Kiwa Regulation 4

HELM

ZHL760.X

Portate / Flowrates (lt/min)

PRESSIONE PRESSURE	1 BAR	2 BAR	3 BAR	4 BAR	5 BAR
LAVABO BASIN	4	4,6	4,8	4,9	5
P1					
P2					
P3					
P4					
P5					



HELM

ZHL760.X

Pesi e Misure / Weights and Sizes

Peso (Kg) Weight (lb)	1,80 (Kg)	3,97 (lb)
Volume test (dc3) - (in3)	7,50 (dc3)	457,68 (in3)
h (mm) - (in)	90,00 (mm)	3,54 (in)
L1 (mm) - (in)	250,00 (mm)	9,84 (in)
L2 (mm) - (in)	333,00 (mm)	13,11 (in)

