

HELM

ZHE806.X

Termostatico incasso doccia con deviatore 2/3 vie. / Built-in thermostatic shower mixer and 2/3 way diverter.



Termostatico incasso doccia da 3/4", in acciaio inox AISI 316L, e deviatore a 2/3 vie con apertura/chiusura acqua. Installazione possibile sia in verticale che in orizzontale.

3/4" built-in thermostatic shower mixer and 2/3 way diverter in AISI 316L stainless steel, with water on/off function. Both vertical and horizontal installation possible.

R96734

Parte incasso, deviatore a 2 vie. / Built-in part,
2 way diverter



R96735

Parte incasso, deviatore a 3 vie. / Built-in part,
3 way diverter.



HELM

ZHE806.X

Finiture / Finishes



X

Acciaio inox spazzolato /
Brushed stainless steel



XP21

Brushed PVD chocolate /
Brushed PVD chocolate



XP31

Brushed PVD British gold /
Brushed PVD British gold



XP41

Brushed PVD gold / Brushed
PVD gold



XP81

PVD Brushed Total Black /
PVD Brushed Total Black



XP91

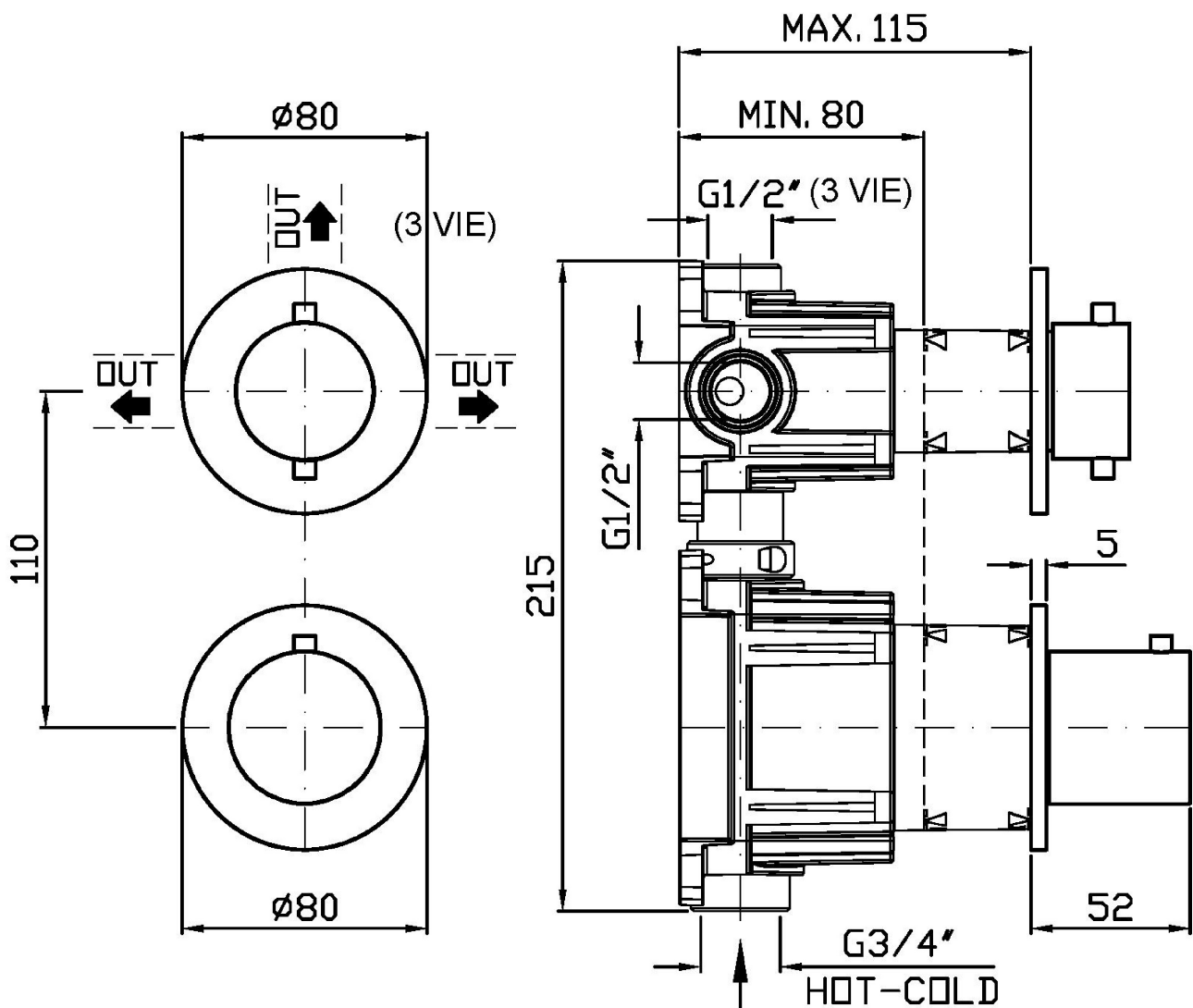
Brushed PVD copper /
Brushed PVD copper

Note / Notes

HELM

ZHE806.X

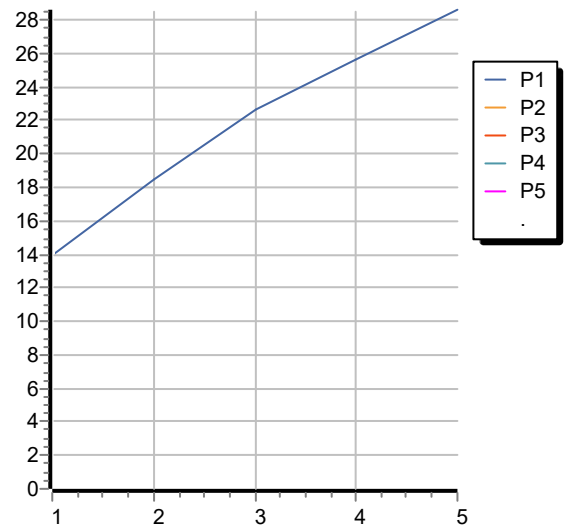
Disegno Complessivo / Overall Drawing



HELM

ZHE806.X Portate / Flowrates (lt/min)

PRESSIONE PRESSURE	1 BAR	2 BAR	3 BAR	4 BAR	5 BAR
DEVIATORE <i>P1</i>	14	18,5	22,6	25,6	28,6
<i>P2</i>					
<i>P3</i>					
<i>P4</i>					
<i>P5</i>					



HELM

ZHE806.X Pesi e Misure / Weights and Sizes

Peso (Kg) Weight (lb)	1,60 (Kg)	3,53 (lb)
Volume test (dc3) - (in3)	7,50 (dc3)	457,68 (in3)
h (mm) - (in)	90,00 (mm)	3,54 (in)
L1 (mm) - (in)	250,00 (mm)	9,84 (in)
L2 (mm) - (in)	330,00 (mm)	12,99 (in)

