

Marchio / Brand ZUCCHETTI

Classe / Class LAB

GILL

ZGL800

Termostatico incasso doccia con rubinetto d'arresto. / Built-in thermostatic shower mixer with stop valve.



Termostatico incasso doccia da 1/2", con rubinetto d'arresto per corpo incasso universale Zetasystem R97800.

1/2" built-in thermostatic shower mixer with stop valve for Zetasystem (R97800) - universal built-in body.

R97800

Zetasystem - Corpo incasso universale /
Zetasystem - universal built-in body



Finiture / Finishes



Cromo / Chrome



Nickel Spazzolato /
Brushed Nickel

C3



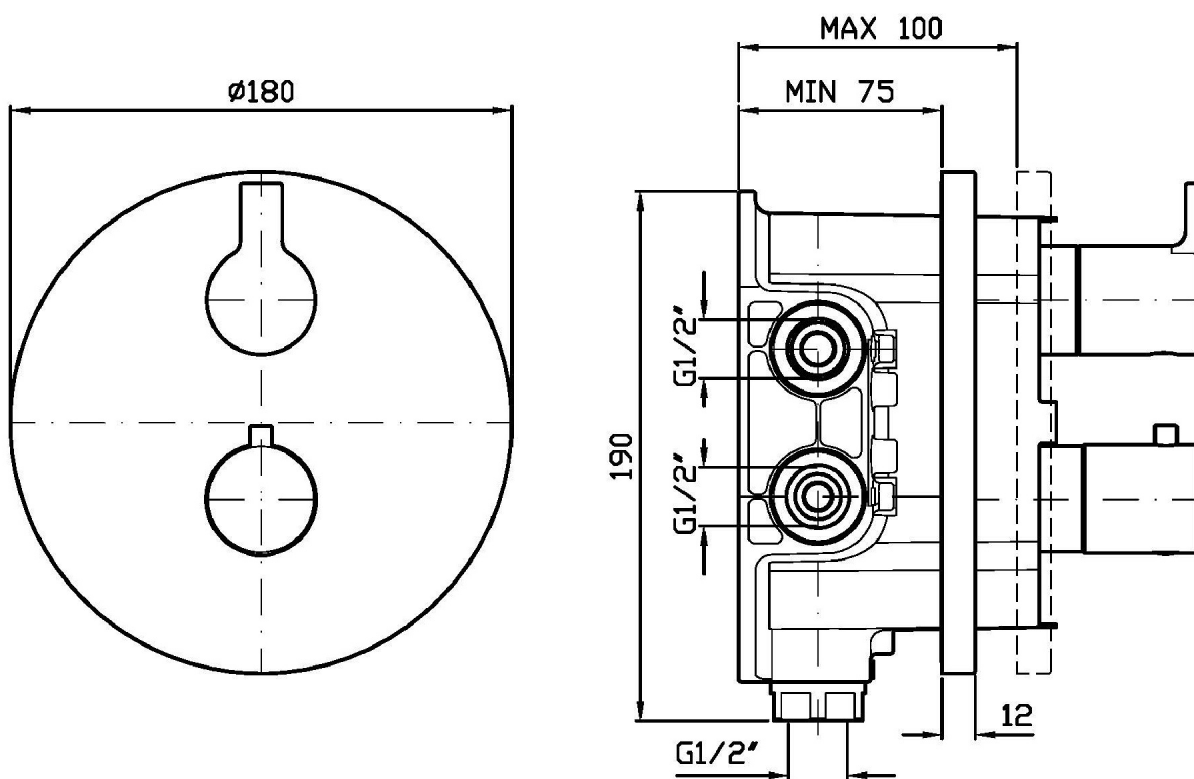
Nero Opaco Goffrato /
Embossed Matt Black

N1

GILL

ZGL800

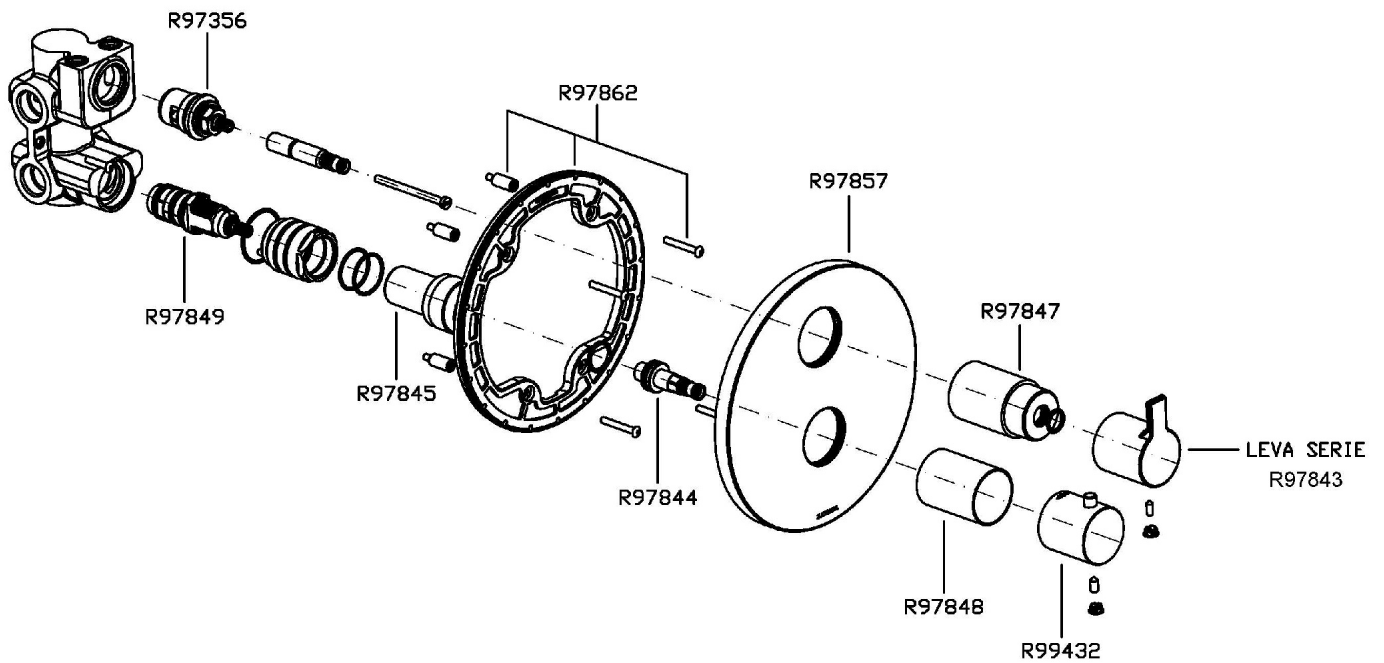
Disegno Complessivo / Overall Drawing



GILL

ZGL800

Esplosi / Exploded

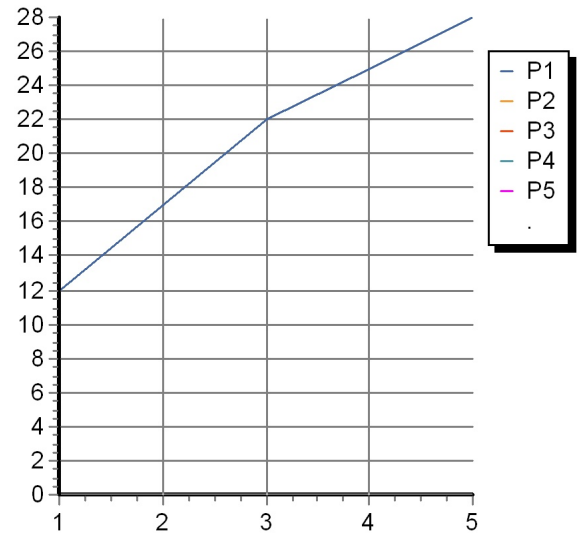


GILL

ZGL800

Portate / Flowrates (lt/min)

PRESSIONE PRESSURE	1 BAR	2 BAR	3 BAR	4 BAR	5 BAR
USCITA PRIMARIA PRIMARY OUTLET <i>P1</i>	12	17	22	25	28
<i>P2</i>					
<i>P3</i>					
<i>P4</i>					
<i>P5</i>					



GILL

ZGL800

Pesi e Misure / Weights and Sizes

Peso (Kg) Weight (lb)	3,80 (Kg)	8,38 (lb)
Volume test (dc3) - (in3)	7,50 (dc3)	457,68 (in3)
h (mm) - (in)	90,00 (mm)	3,54 (in)
L1 (mm) - (in)	250,00 (mm)	9,84 (in)
L2 (mm) - (in)	333,00 (mm)	13,11 (in)

