

## GILL

ZGL5659

Termostatico incasso doccia con rubinetto d'arresto. / Built-in therm. shower mixer 1 stop valve.



Termostatico incasso doccia da 1/2", con rubinetto d'arresto.

1/2" built-in thermostatic shower mixer with stop valve.

R97820

Parte incasso. / Built-in part.



## Finiture / Finishes



Cromo / Chrome



C3  
Nickel Spazzolato / Brushed  
Nickel



C41  
Oro spazzolato / Brushed Gold

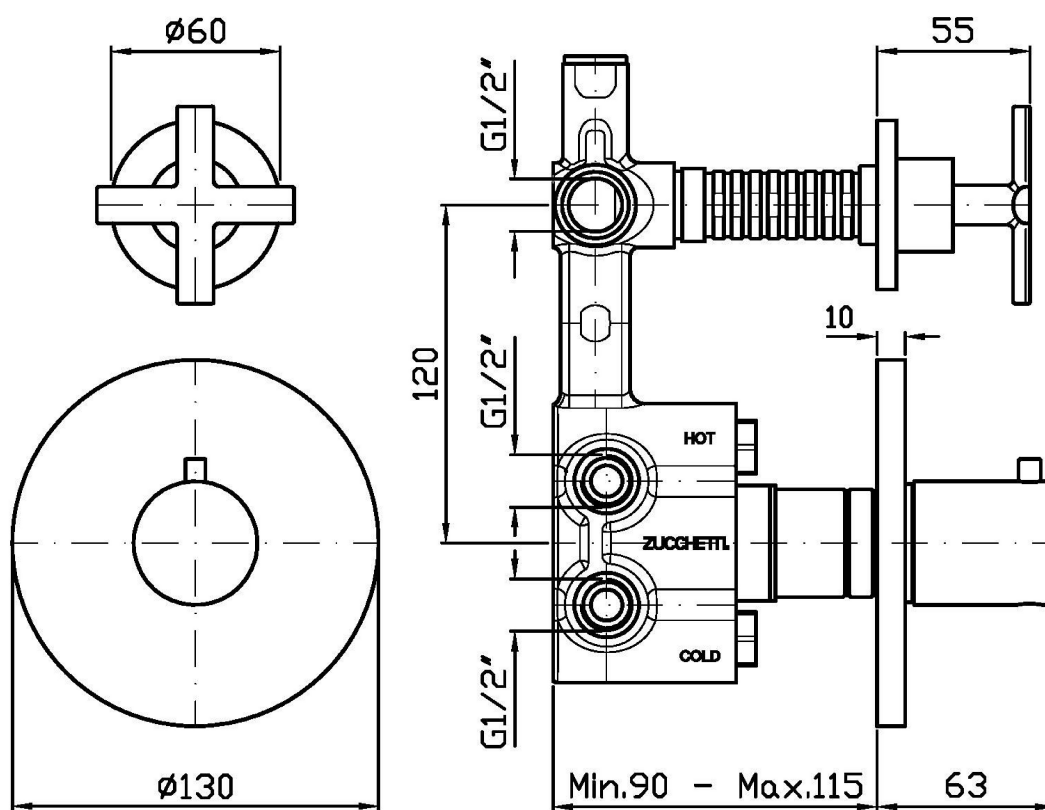


N1  
Nero Opaco Goffrato / Embossed  
Matt Black

## GILL

ZGL5659

Disegno Complessivo / Overall Drawing

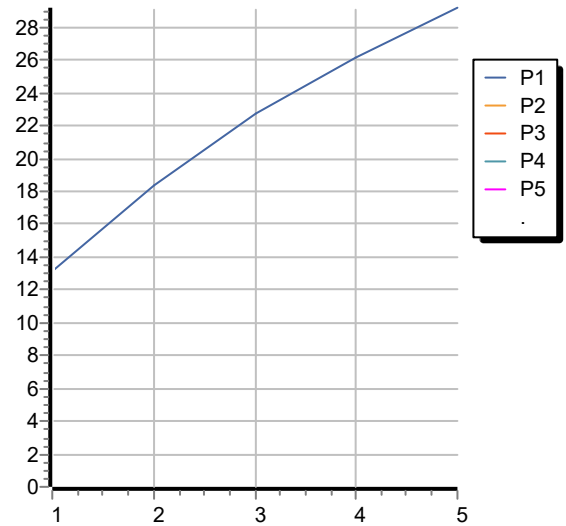


## GILL

ZGL5659

Portate / Flowrates (lt/min)

PRESSIONE PRESSURE	1 BAR	2 BAR	3 BAR	4 BAR	5 BAR
1 RUBINETTO APERTO <i>P1</i>	13,2	18,4	22,7	26,2	29,2
<i>P2</i>					
<i>P3</i>					
<i>P4</i>					
<i>P5</i>					



## GILL

ZGL5659

Pesi e Misure / Weights and Sizes

Peso ( Kg ) Weight ( lb )	1,90 ( Kg )	4,19 ( lb )
Volume test ( dc3 ) - ( in3 )	11,00 ( dc3 )	671,26 ( in3 )
h ( mm ) - ( in )	90,00 ( mm )	3,54 ( in )
L1 ( mm ) - ( in )	335,00 ( mm )	13,19 ( in )
L2 ( mm ) - ( in )	365,00 ( mm )	14,37 ( in )

