

BRIM

ZBR644

Termostatico incasso doccia e deviatore a 2/3 vie. / Built-in therm. shower mix, 2/3 way diverter.



Termostatico incasso doccia da 1/2" e deviatore a 2/3 vie con apertura/chiusura acqua.

1/2" built-in thermostatic shower mixer and 2 way diverter with water on/off function.

R97810

Parte incasso termostatico 2 vie / Built-in part -
2 way thermostatic mixer



R97815

Parte incasso termostatico 3 vie / Built-in part -
3 way thermostatic mixer



Finiture / Finishes



Cromo / Chrome



Nickel Spazzolato /
Brushed Nickel

C3



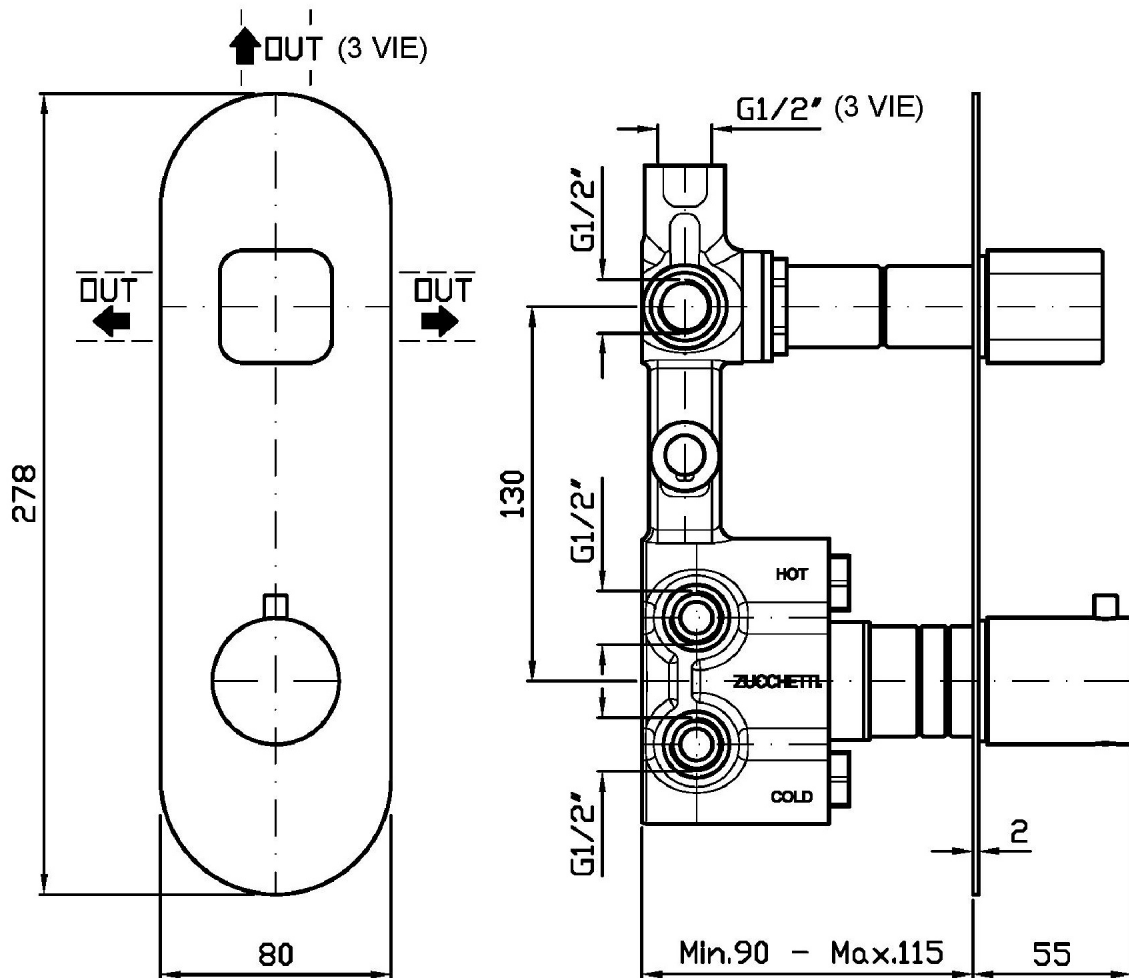
Nero Opaco Goffrato /
Embossed Matt Black

N1

BRIM

ZBR644

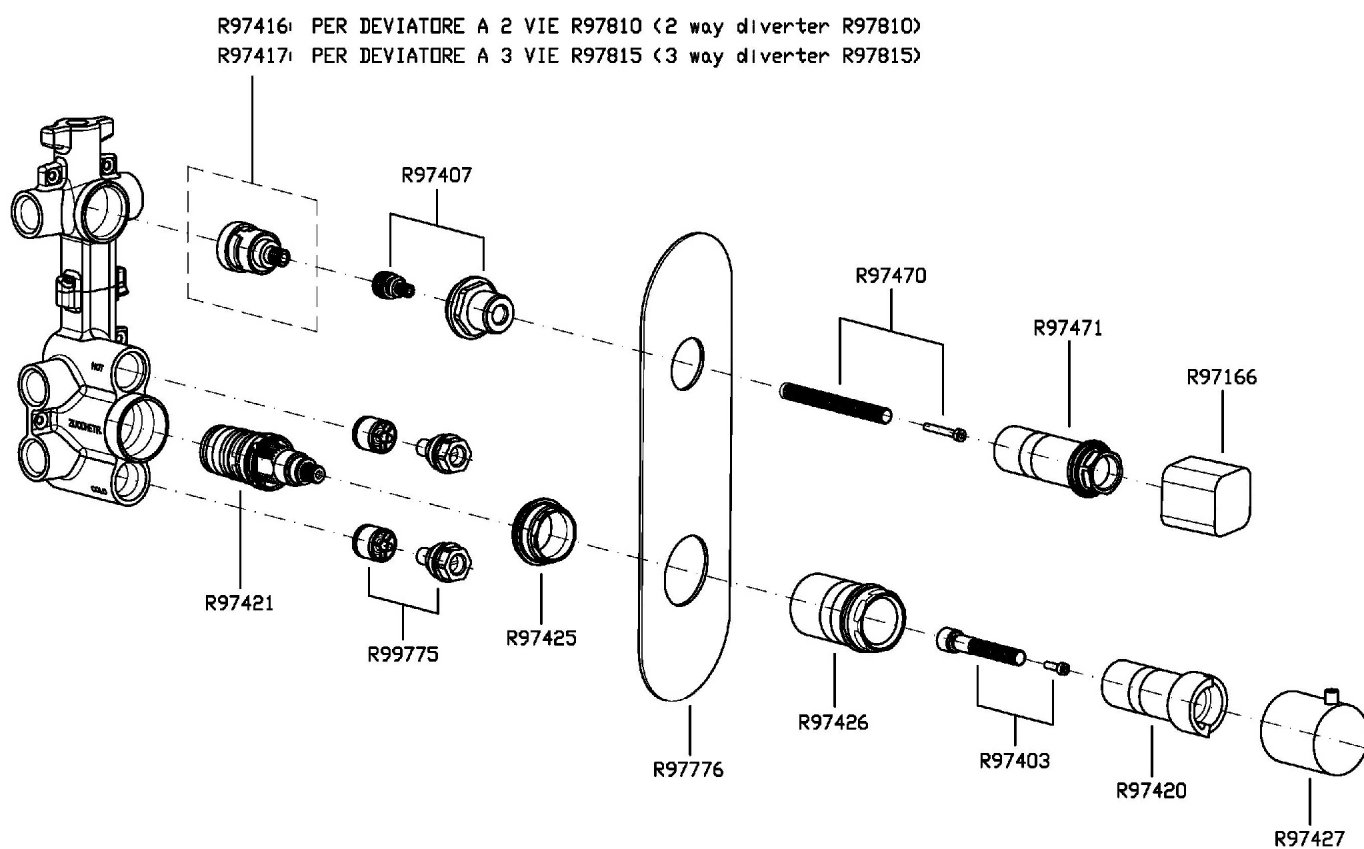
Disegno Complessivo / Overall Drawing



BRIM

ZBR644

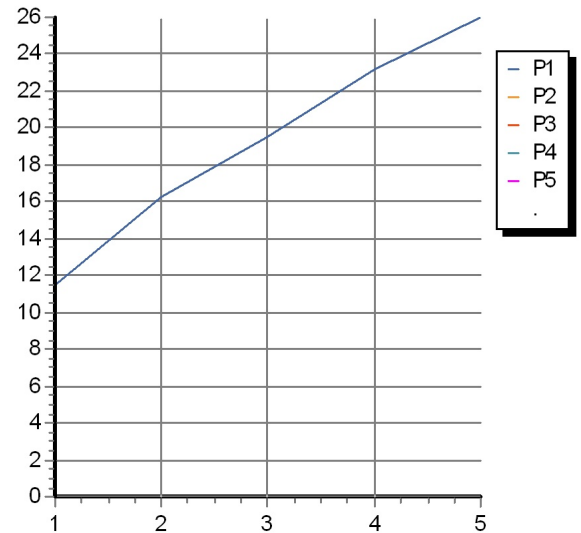
Esplosi / Exploded



BRIM

ZBR644 Portate / Flowrates (lt/min)

PRESSIONE PRESSURE	1 BAR	2 BAR	3 BAR	4 BAR	5 BAR
DEVIATORE	11,5	16,2	19,5	23,2	26
P1					
P2					
P3					
P4					
P5					



BRIM

ZBR644 Pesi e Misure / Weights and Sizes

Peso (Kg) Weight (lb)	1,40 (Kg)	3,09 (lb)
Volume test (dc3) - (in3)	5,68 (dc3)	346,61 (in3)
h (mm) - (in)	75,00 (mm)	2,95 (in)
L1 (mm) - (in)	180,00 (mm)	7,09 (in)
L2 (mm) - (in)	420,00 (mm)	16,54 (in)

