

SHOWER

ZAM860

Colonna doccia completa di gruppo esterno. / Shower column with exposed shower mixer.



Colonna doccia completa di gruppo esterno, soffione in ottone e doccetta Z9472P.C.
Water Saving - portata d'acqua uguale o inferiore a 9 l/min.

Shower column with exposed shower mixer, brass shower head and handshower Z9472P.C.
Water Saving - water flow rate of 9 l/min or less.

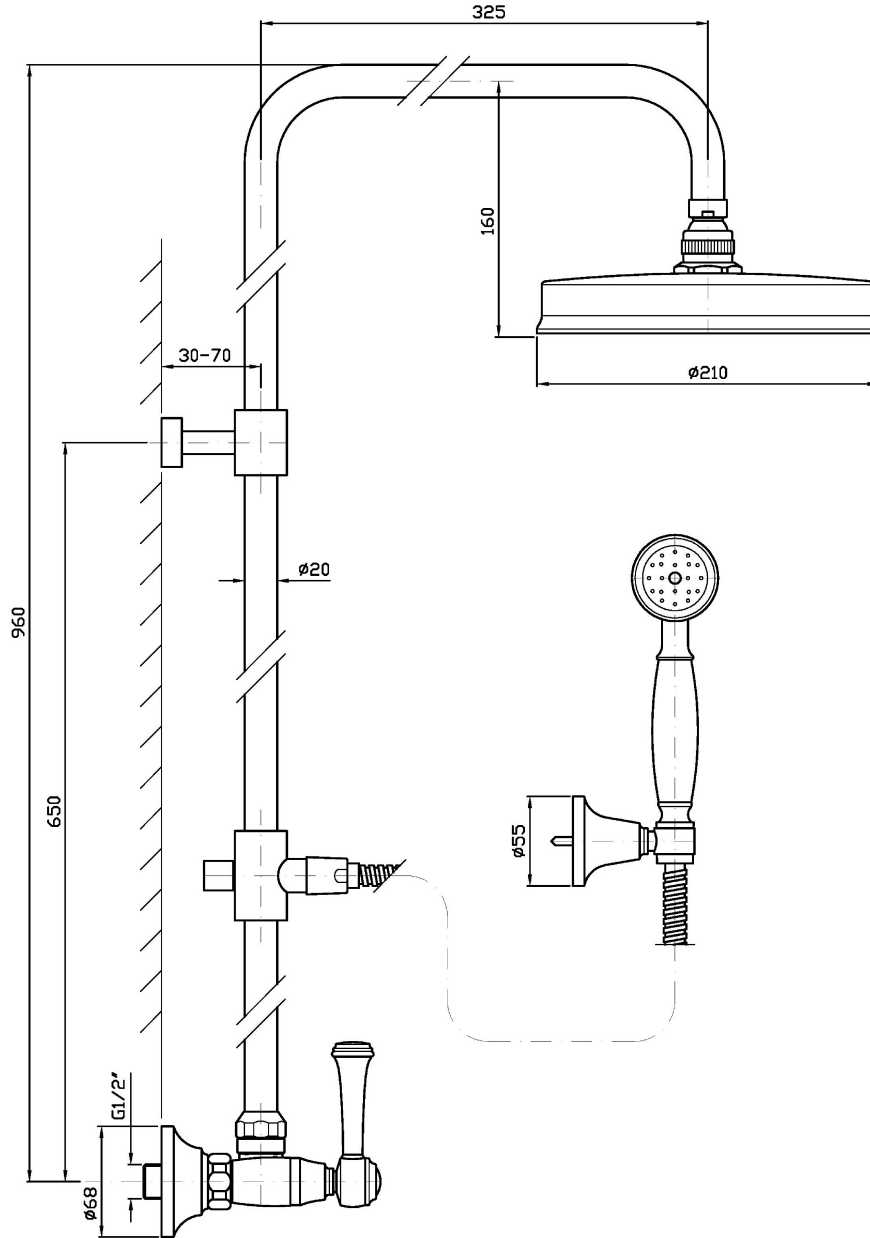
Finiture / Finishes

					
Cromo / Chrome	C8 Nickel Lucido / Polished Nickel	C40 Oro / Gold	C41 Oro spazzolato / Brushed Gold	P21 PVD brushed chocolate / PVD brushed chocolate	P31 Brushed PVD British gold / Brushed PVD British gold

SHOWER

ZAM860

Disegno Complessivo / Overall Drawing

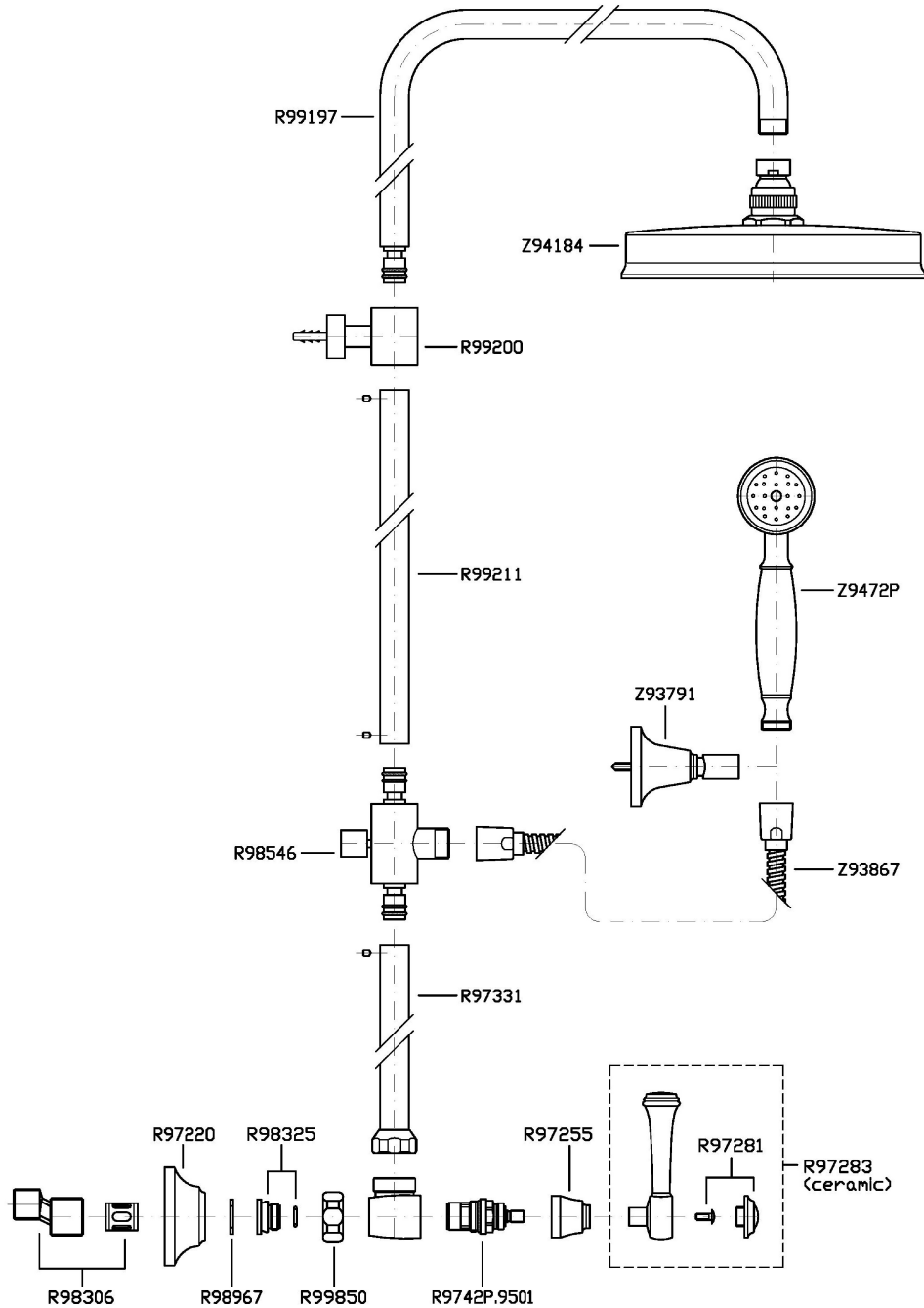


Note / Notes

SHOWER

ZAM860

Esplosi / Exploded

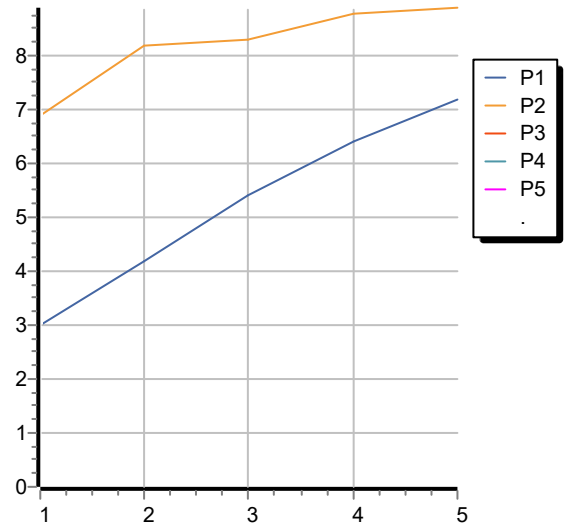


SHOWER

ZAM860

Portate / Flowrates (lt/min)

PRESSIONE PRESSURE	1 BAR	2 BAR	3 BAR	4 BAR	5 BAR
P1 DOCCETTA HANDSHOWER	3	4,2	5,4	6,4	7,2
P2 SOFFIONE SHOWER HEAD	6,9	8,2	8,3	8,8	8,9
P3					
P4					
P5					



SHOWER

ZAM860

Pesi e Misure / Weights and Sizes

Peso (Kg) Weight (lb)	7,90 (Kg)	17,42 (lb)
Volume test (dc3) - (in3)	41,77 (dc3)	2548,96 (in3)
h (mm) - (in)	110,00 (mm)	4,33 (in)
L1 (mm) - (in)	440,00 (mm)	17,32 (in)
L2 (mm) - (in)	915,00 (mm)	36,02 (in)

