

## AGORÀ

ZAL646

Termostatico incasso doccia con deviatore 2/3 vie. / Built-in thermostatic shower mix and 2/3 way diverter.



Termostatico incasso doccia da 1/2" e deviatore a 2/3 vie con apertura/chiusura acqua. Installazione possibile sia in verticale che in orizzontale.

1/2" built-in thermostatic shower mixer and 2/3 way diverter with water on/off function. Both vertical and horizontal installation possible.

R97810

Parte incasso termostatico 2 vie / Built-in part -  
2 way thermostatic mixer



R97815

Parte incasso termostatico 3 vie / Built-in part -  
3 way thermostatic mixer



## Finiture / Finishes



Cromo / Chrome



C8

Nickel Lucido / Polished Nickel



C40

Oro / Gold



C41

Oro spazzolato / Brushed Gold



P21

PVD brushed chocolate / PVD  
brushed chocolate



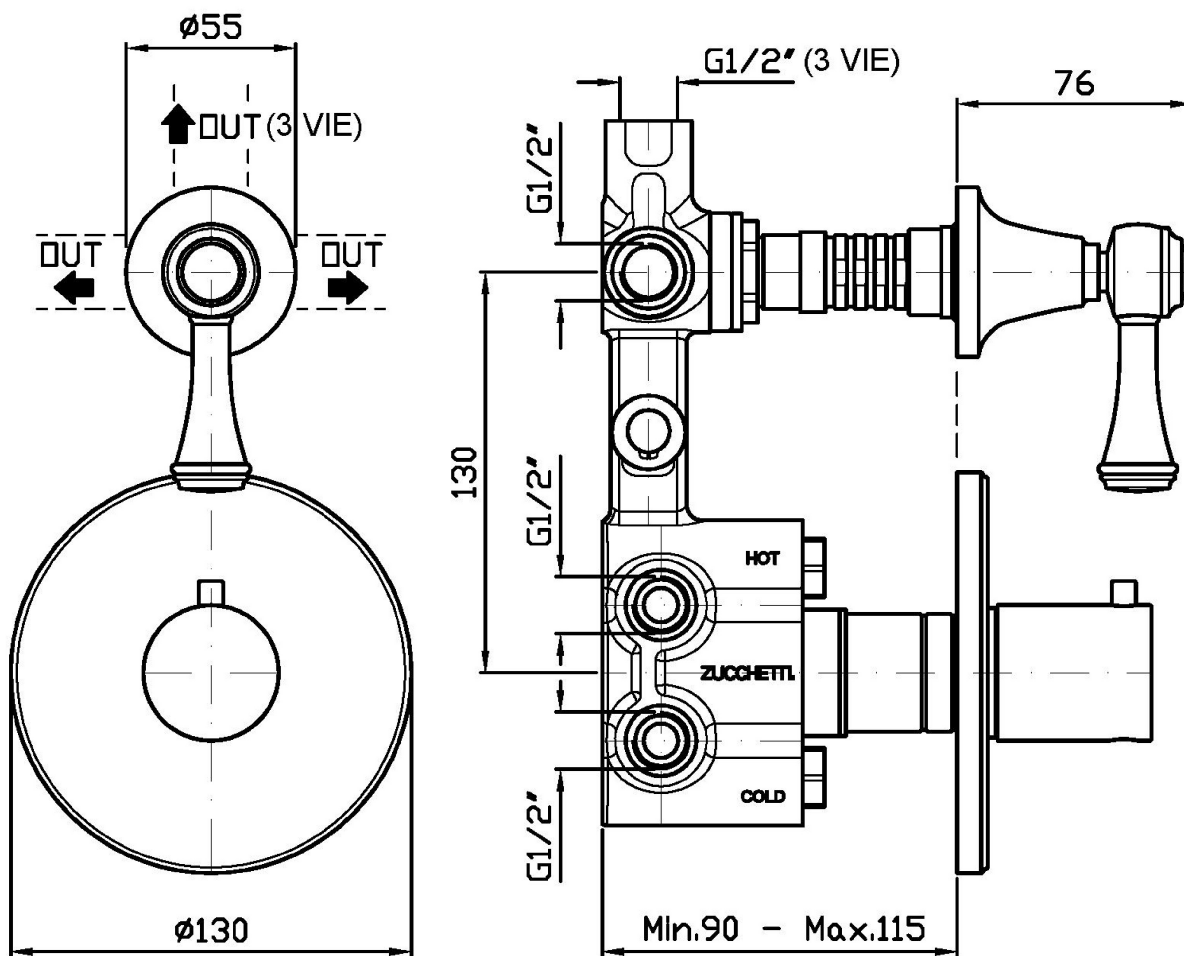
P31

Brushed PVD British gold / Brushed  
PVD British gold

## AGORÀ

ZAL646

Disegno Complessivo / Overall Drawing

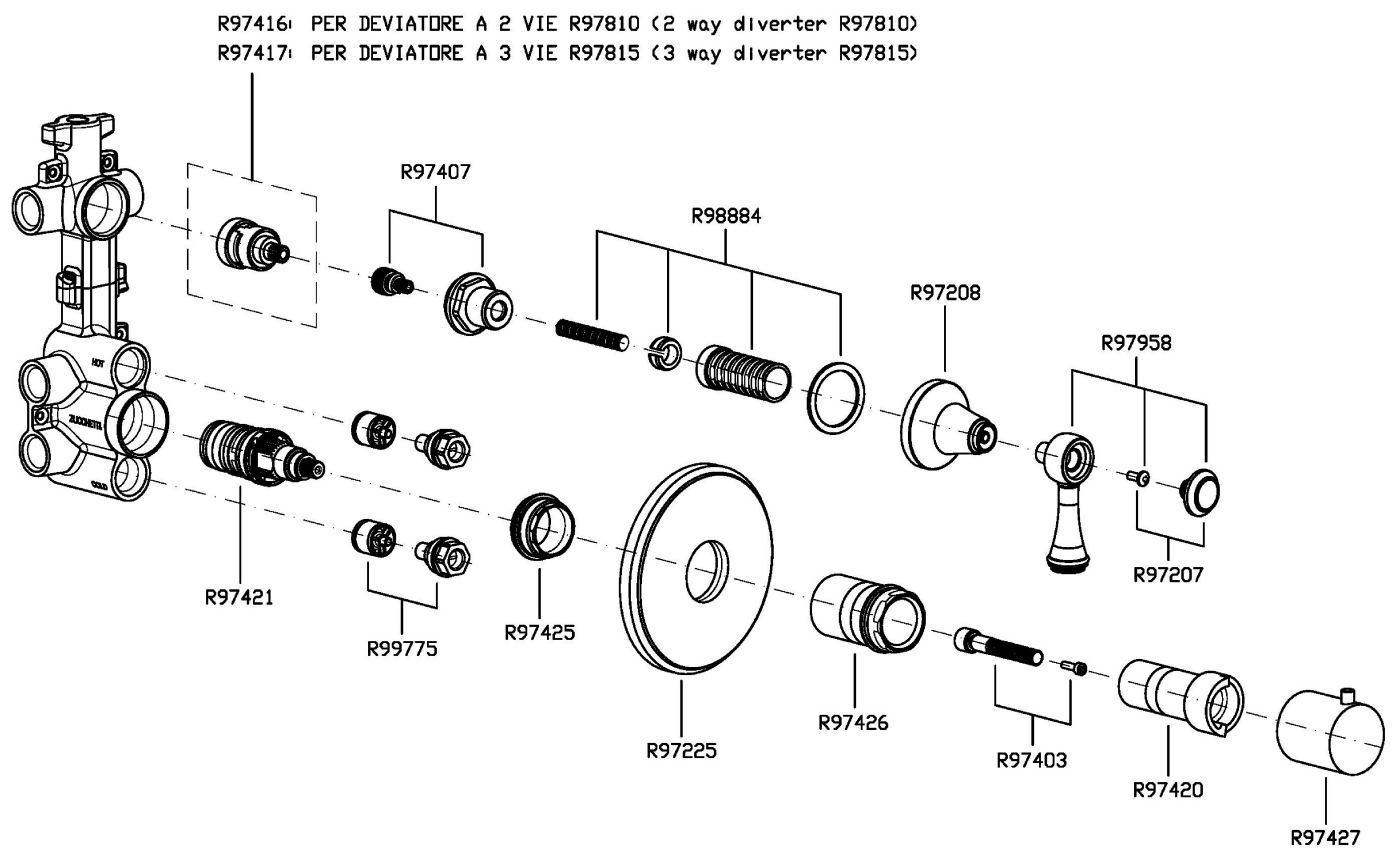


Note / Notes

## AGORÀ

ZAL646

Esplosi / Exploded

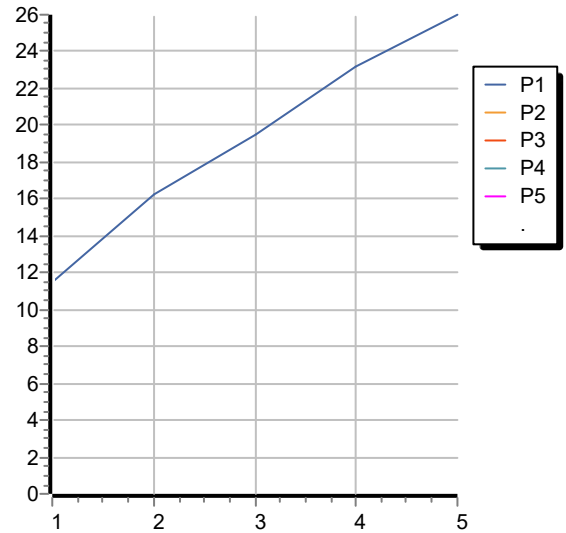


## AGORÀ

ZAL646

Portate / Flowrates (lt/min)

PRESSIONE PRESSURE	1 BAR	2 BAR	3 BAR	4 BAR	5 BAR
DEVIATORE <i>P1</i>	11,5	16,2	19,5	23,2	26
<i>P2</i>					
<i>P3</i>					
<i>P4</i>					
<i>P5</i>					



## AGORÀ

ZAL646

Pesi e Misure / Weights and Sizes

Peso ( Kg ) Weight ( lb )	2,10 ( Kg )	4,63 ( lb )
Volume test ( dc3 ) - ( in3 )	11,01 ( dc3 )	671,87 ( in3 )
h ( mm ) - ( in )	90,00 ( mm )	3,54 ( in )
L1 ( mm ) - ( in )	335,00 ( mm )	13,19 ( in )
L2 ( mm ) - ( in )	365,00 ( mm )	14,37 ( in )

