

## AGORÀ

ZAG801

Termostatico incasso doccia con rubinetto d'arresto. / Built-in thermostatic shower mixer, 1 stop valve.



Termostatico incasso doccia da 3/4", con rubinetto d'arresto. Installazione possibile sia in verticale che in orizzontale.

3/4" built-in thermostatic shower mixer with stop valve. Both vertical and horizontal installation possible.

R96730

Parte incasso / Built-in part



## AGORÀ

ZAG801

### Finiture / Finishes



Cromo / Chrome



Nickel Lucido / Polished Nickel

**C8**



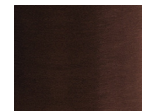
Oro / Gold

**C40**



Oro spazzolato / Brushed Gold

**C41**



PVD brushed chocolate / PVD brushed chocolate

**P21**



Brushed PVD British gold /  
Brushed PVD British gold

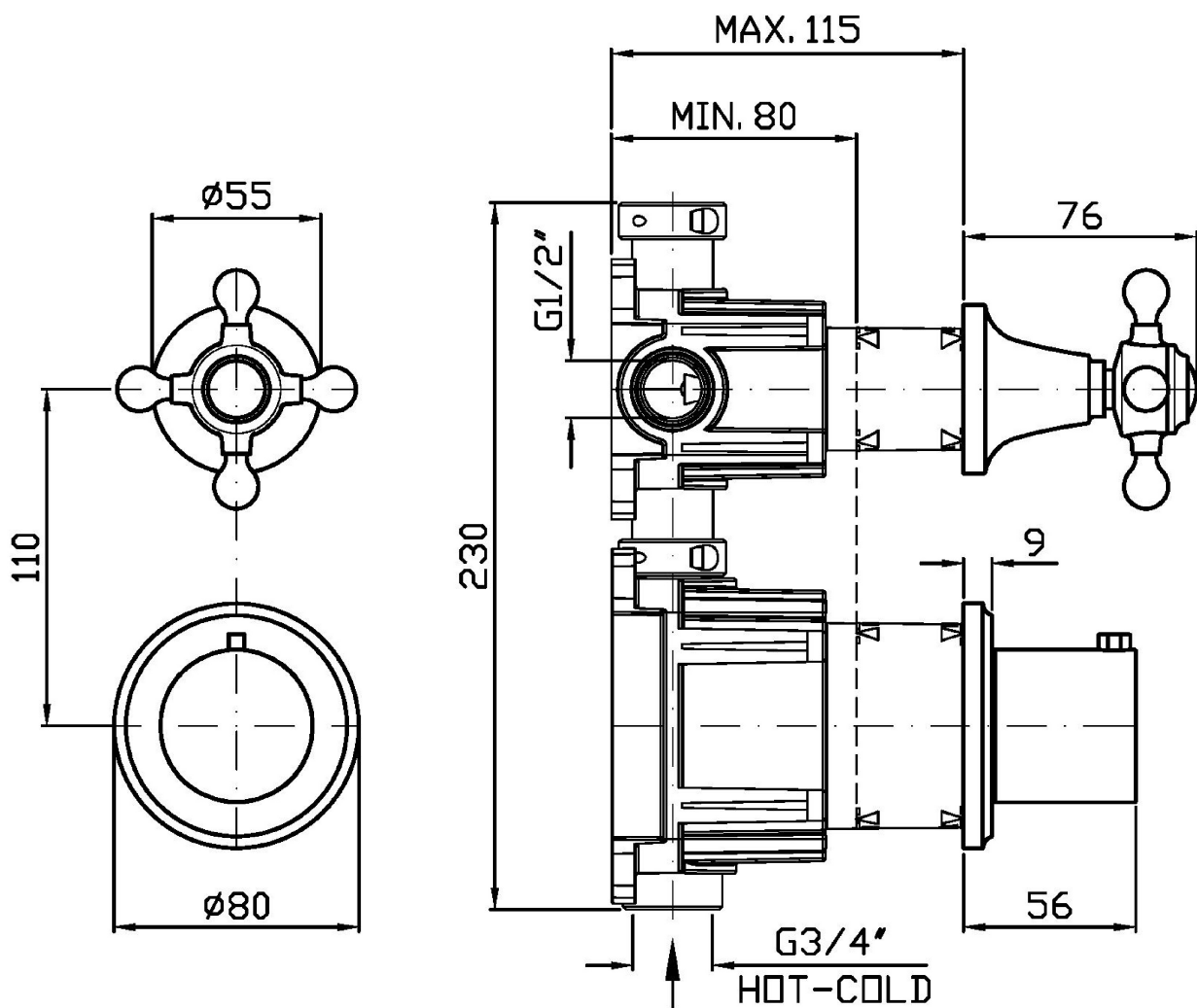
**P31**

### Note / Notes

## AGORÀ

ZAG801

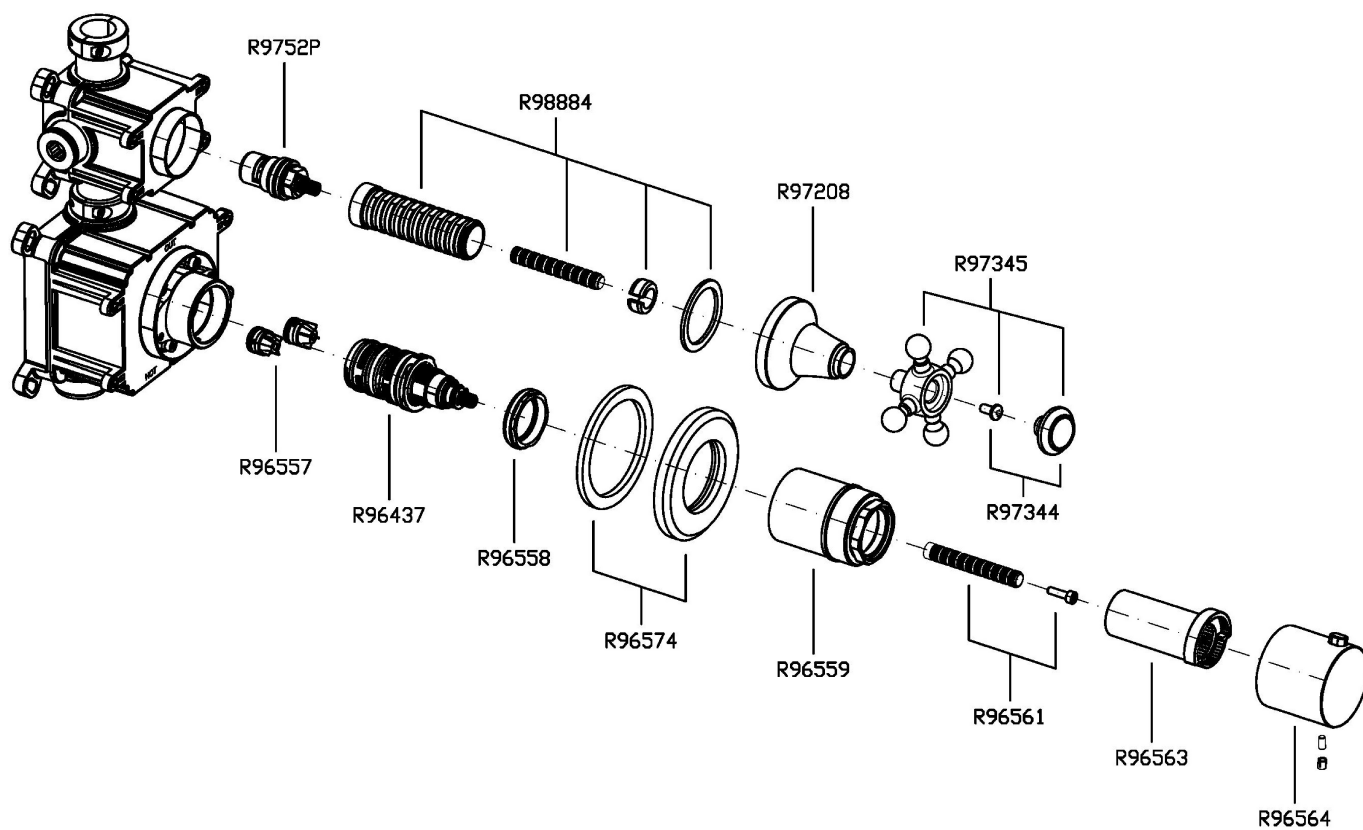
Disegno Complessivo / Overall Drawing



## AGORÀ

ZAG801

Esplosi / Exploded

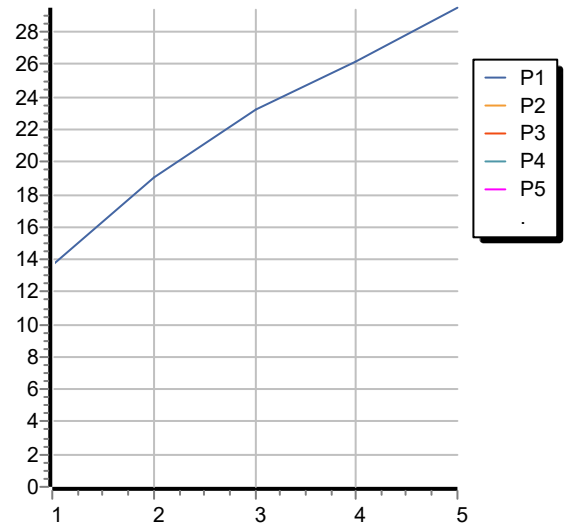


## AGORÀ

ZAG801

Portate / Flowrates (lt/min)

PRESSIONE PRESSURE	1 BAR	2 BAR	3 BAR	4 BAR	5 BAR
1 RUBINETTO APERTO <i>P1</i>	13,7	19,1	23,2	26,2	29,5
<i>P2</i>					
<i>P3</i>					
<i>P4</i>					
<i>P5</i>					



## AGORÀ

ZAG801

Pesi e Misure / Weights and Sizes

Peso ( Kg ) Weight ( lb )	2,10 ( Kg )	4,63 ( lb )
Volume test ( dc3 ) - ( in3 )	7,50 ( dc3 )	457,68 ( in3 )
h ( mm ) - ( in )	90,00 ( mm )	3,54 ( in )
L1 ( mm ) - ( in )	250,00 ( mm )	9,84 ( in )
L2 ( mm ) - ( in )	333,00 ( mm )	13,11 ( in )

