

## AGORÀ

ZAG659

Termostatico incasso doccia con rubinetto d'arresto. / Built-in thermostatic shower mixer with stop valve.



Termostatico incasso doccia da 1/2", con rubinetto d'arresto. Installazione possibile sia in verticale che in orizzontale.

1/2" built-in thermostatic shower mixer with stop valve. Both vertical and horizontal installation possible.

R97820

Parte incasso. / Built-in part.



## Finiture / Finishes

 Cromo / Chrome

 C8  
Nickel Lucido / Polished Nickel

 C40  
Oro / Gold

 C41  
Oro spazzolato / Brushed Gold

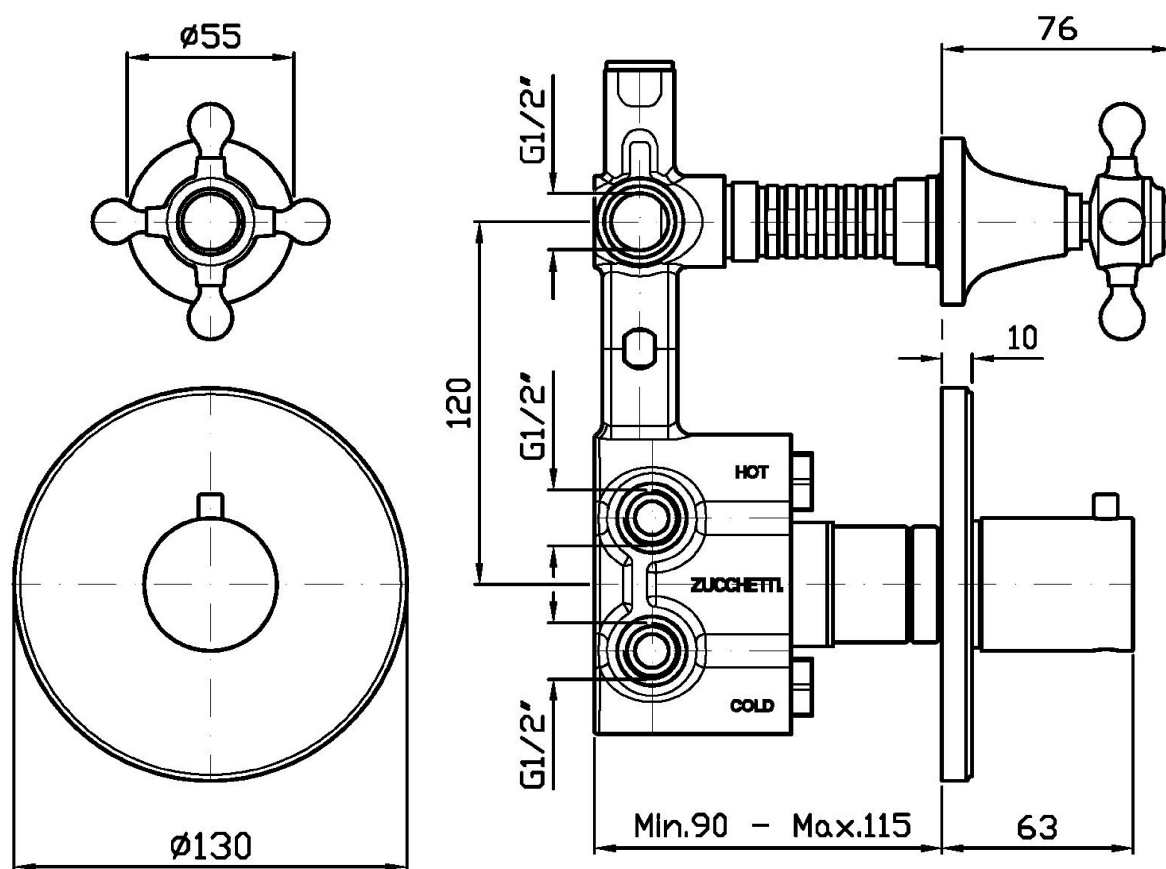
 P21  
PVD brushed chocolate / PVD  
brushed chocolate

 P31  
Brushed PVD British gold / Brushed  
PVD British gold

## AGORÀ

ZAG659

Disegno Complessivo / Overall Drawing

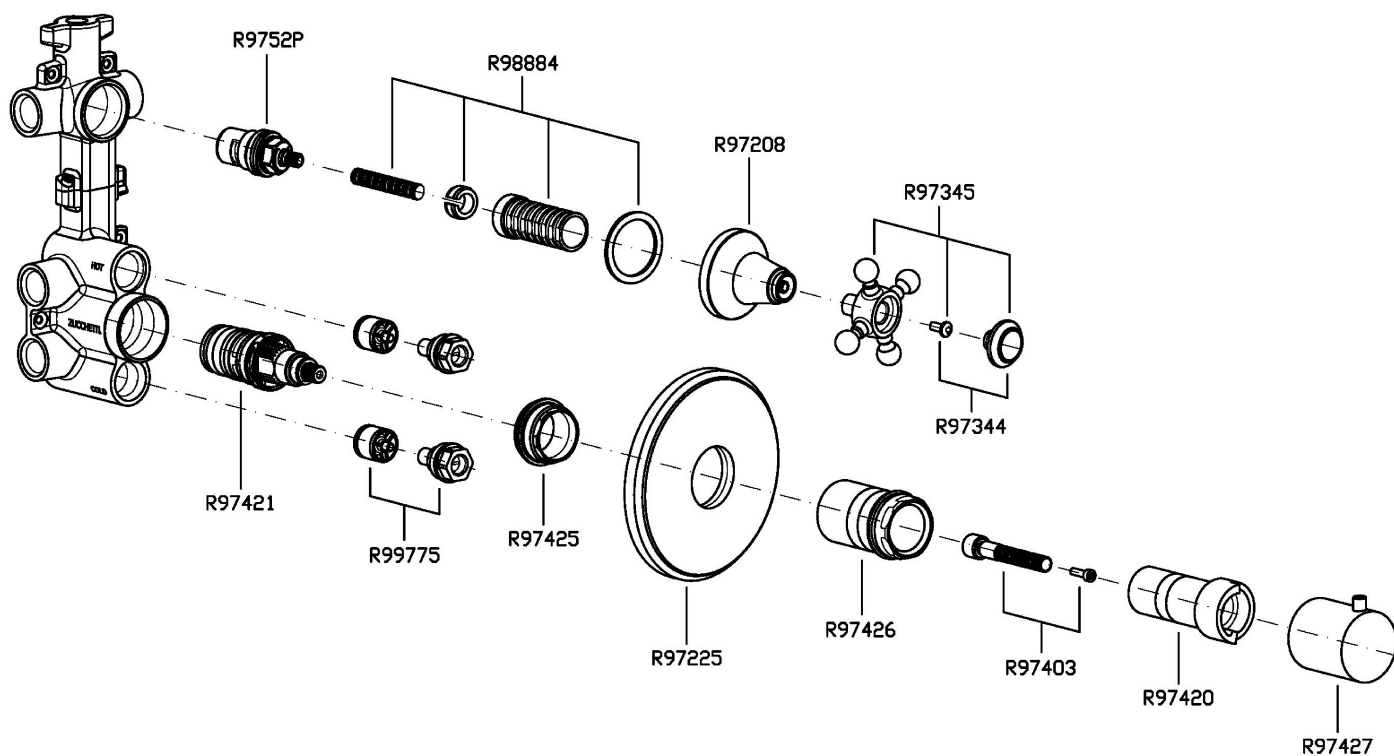


Note / Notes

## AGORÀ

ZAG659

Esplosi / Exploded

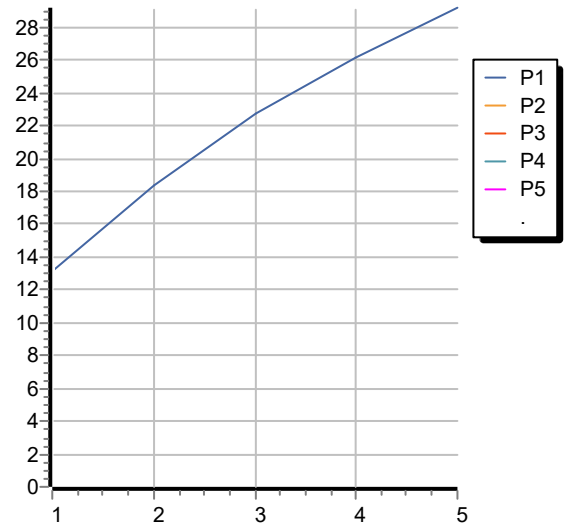


## AGORÀ

ZAG659

Portate / Flowrates (lt/min)

PRESSIONE PRESSURE	1 BAR	2 BAR	3 BAR	4 BAR	5 BAR
1 RUBINETTO APERTO <i>P1</i>	13,2	18,4	22,7	26,2	29,2
<i>P2</i>					
<i>P3</i>					
<i>P4</i>					
<i>P5</i>					



## AGORÀ

ZAG659

Pesi e Misure / Weights and Sizes

Peso ( Kg ) Weight ( lb )	2,10 ( Kg )	4,63 ( lb )
Volume test ( dc3 ) - ( in3 )	11,01 ( dc3 )	671,87 ( in3 )
h ( mm ) - ( in )	90,00 ( mm )	3,54 ( in )
L1 ( mm ) - ( in )	335,00 ( mm )	13,19 ( in )
L2 ( mm ) - ( in )	365,00 ( mm )	14,37 ( in )

