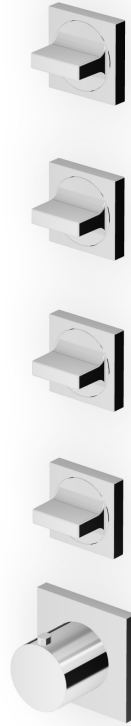


## AGUABLU

ZA5804

Termostatico incasso doccia con 4 rubinetti d'arresto. / Built-in thermostatic shower mixer 4 stop valves.



Termostatico incasso doccia da 3/4", con 4 rubinetti d'arresto. Installazione possibile sia in verticale che in orizzontale.

3/4" built-in thermostatic shower mixer with 4 stop valves. Both vertical and horizontal installation possible.

R96733

Parte incasso / Built-in part



## AGUABLU

ZA5804

Finiture / Finishes



Cromo / Chrome



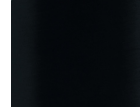
**C3**

Nickel Spazzolato / Brushed  
Nickel



**P31**

Brushed PVD British gold /  
Brushed PVD British gold



**P81**

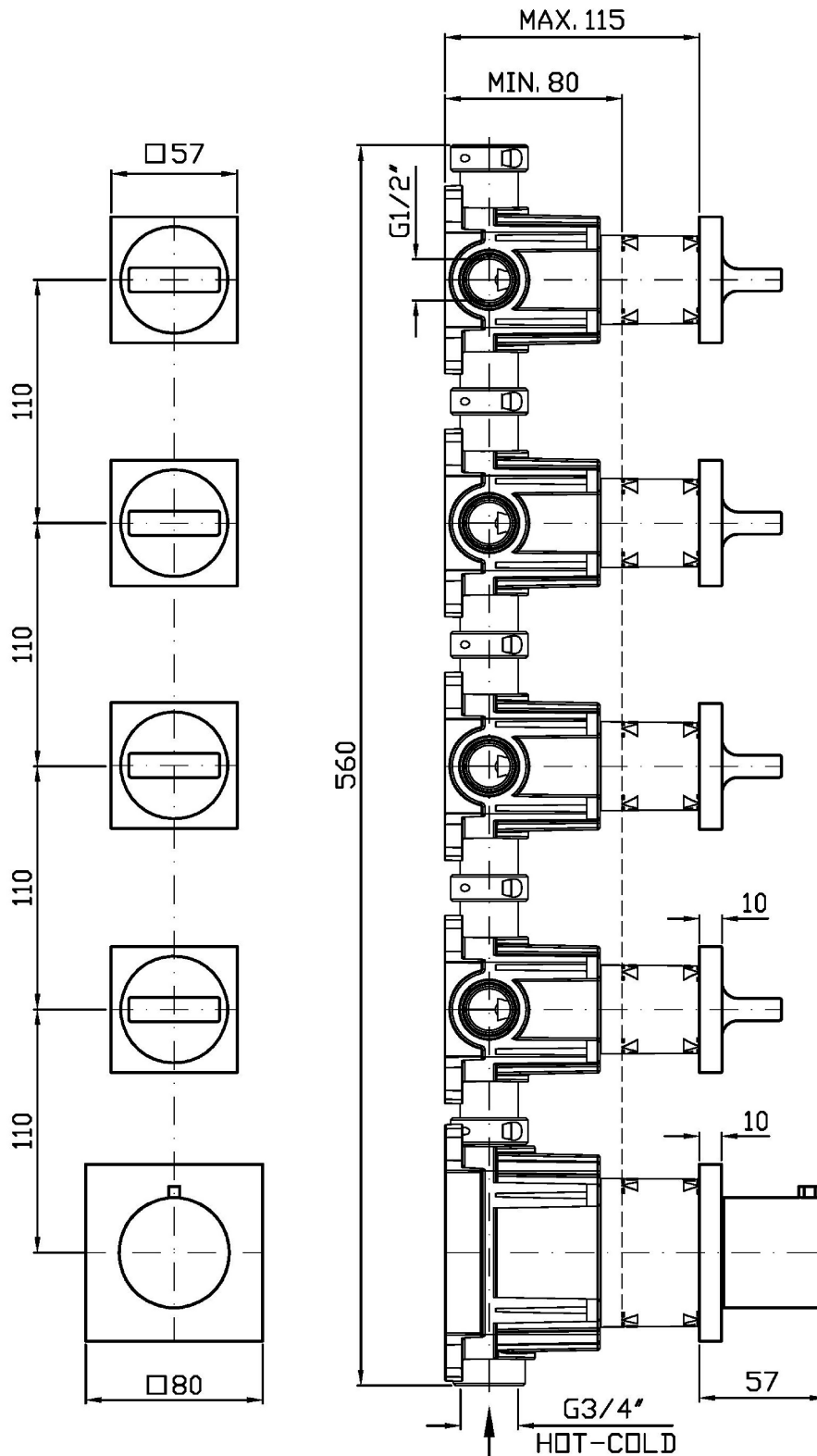
Brushed total black PVD /  
Brushed total black PVD

Note / Notes

## AGUABLU

ZA5804

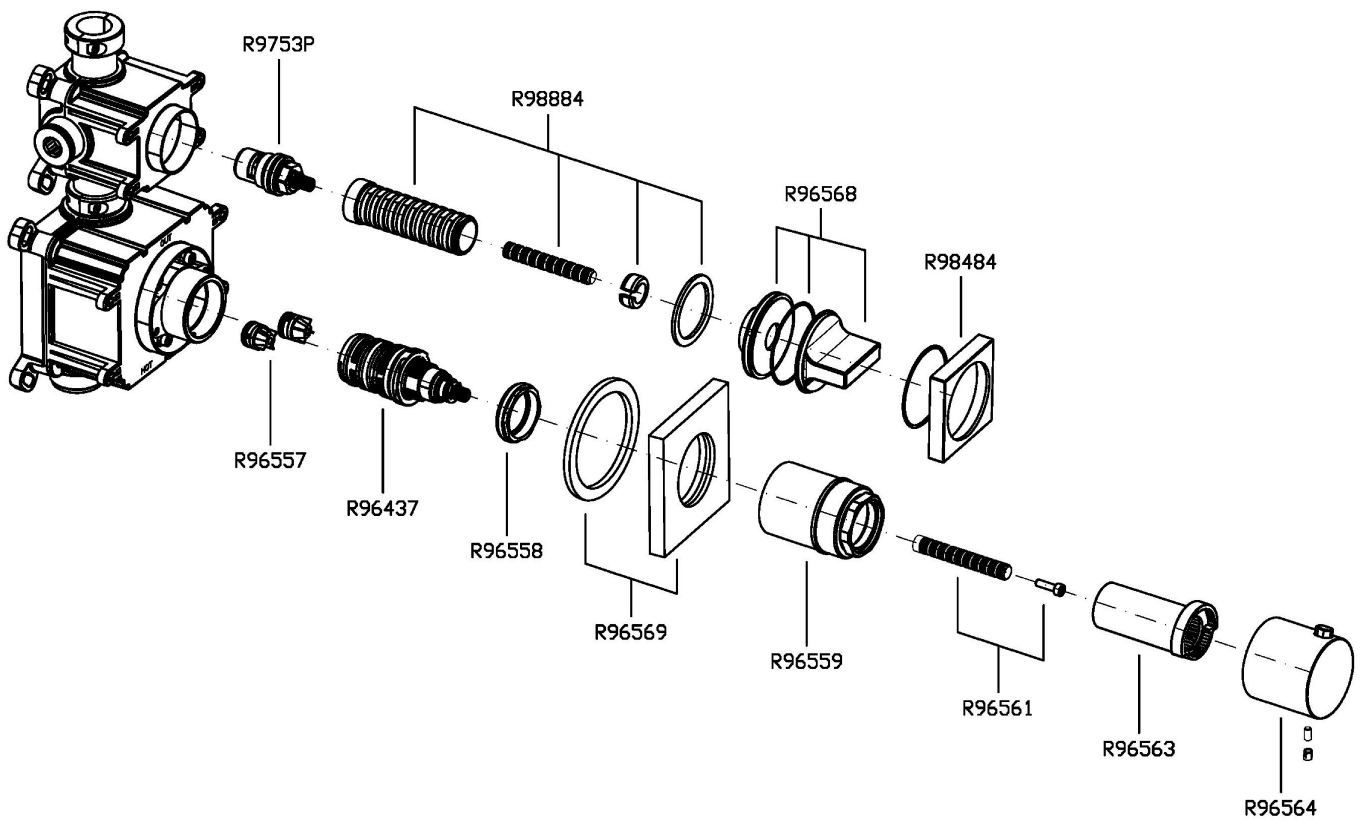
Disegno Complessivo / Overall Drawing



## AGUABLU

ZA5804

Esplosi / Exploded

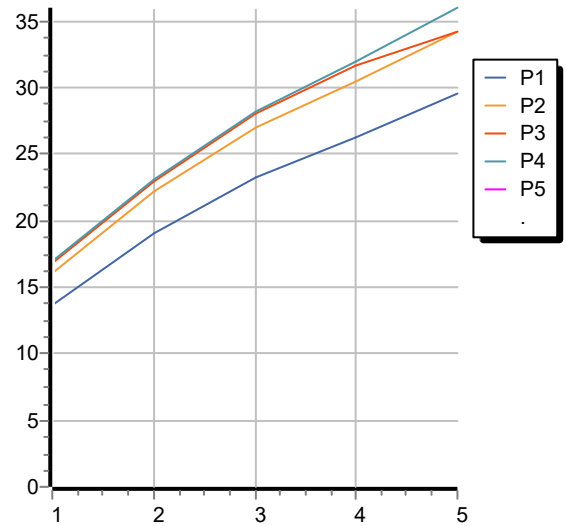


## AGUABLU

ZA5804

Portate / Flowrates (lt/min)

PRESSIONE PRESSURE	1 BAR	2 BAR	3 BAR	4 BAR	5 BAR
1 RUBINETTO APERTO <i>P1</i>	13,7	19,1	23,2	26,2	29,5
2 RUBINETTO APERTI 2 TAPS OPENED <i>P2</i>	16,1	22,2	27	30,5	34,2
3 RUBINETTO APERTI 3 TAPS OPENED <i>P3</i>	16,8	23	28	31,6	34,2
4 RUBINETTO APERTI 4 TAPS OPENED <i>P4</i>	17	23,1	28,2	32	36
<i>P5</i>					



## AGUABLU

ZA5804

Pesi e Misure / Weights and Sizes

Peso ( Kg ) Weight ( lb )	3,50 ( Kg )	7,72 ( lb )
Volume test ( dc3 ) - ( in3 )	11,01 ( dc3 )	671,87 ( in3 )
h ( mm ) - ( in )	90,00 ( mm )	3,54 ( in )
L1 ( mm ) - ( in )	335,00 ( mm )	13,19 ( in )
L2 ( mm ) - ( in )	365,00 ( mm )	14,37 ( in )

