

OCTO X

Z94636.X

Deviatore a 2 / 3 vie. / 2 / 3 way diverter.



Deviatore a 2 o 3 vie in acciaio inox AISI 316L, senza apertura/chiusura acqua, uscite da 1/2".
Da abbinare ad una batteria incasso doccia.

2 or 3 way diverter in AISI 316L stainless steel, without water on/off function, 1/2" outlets.
To be combined to a built-in 2 handle shower mixer.

R97830

Parte incasso deviatore 2 vie / Built-in part - 2
way diverter



R97835

Parte incasso deviatore 3 vie / Built-in part - 3
way diverter



OCTO X

Z94636.X

Finiture / Finishes



X

Acciaio inox spazzolato /
Brushed stainless steel



XP21

Brushed PVD chocolate /
Brushed PVD chocolate



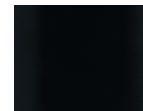
XP31

Brushed PVD British gold /
Brushed PVD British gold



XP41

Brushed PVD gold / Brushed
PVD gold



XP81

PVD Brushed Total Black /
PVD Brushed Total Black



XP91

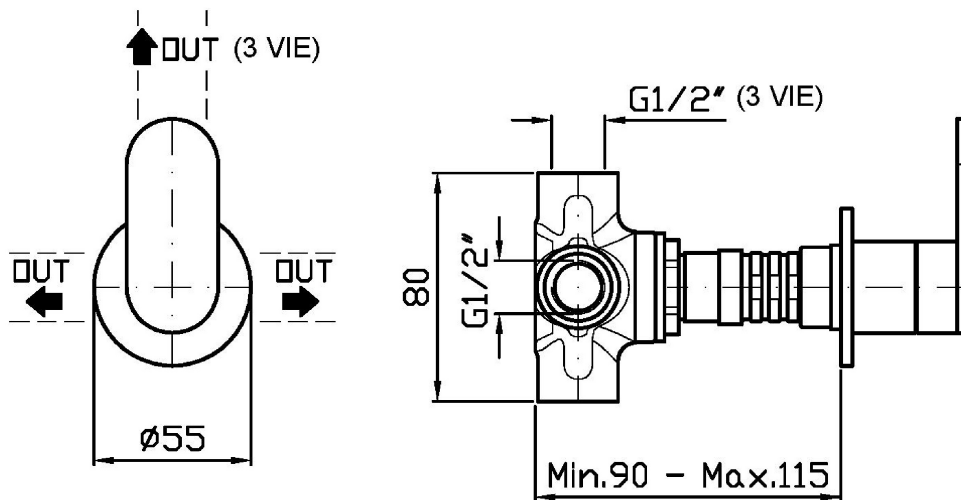
Brushed PVD copper /
Brushed PVD copper

Note / Notes

OCTO X

Z94636.X

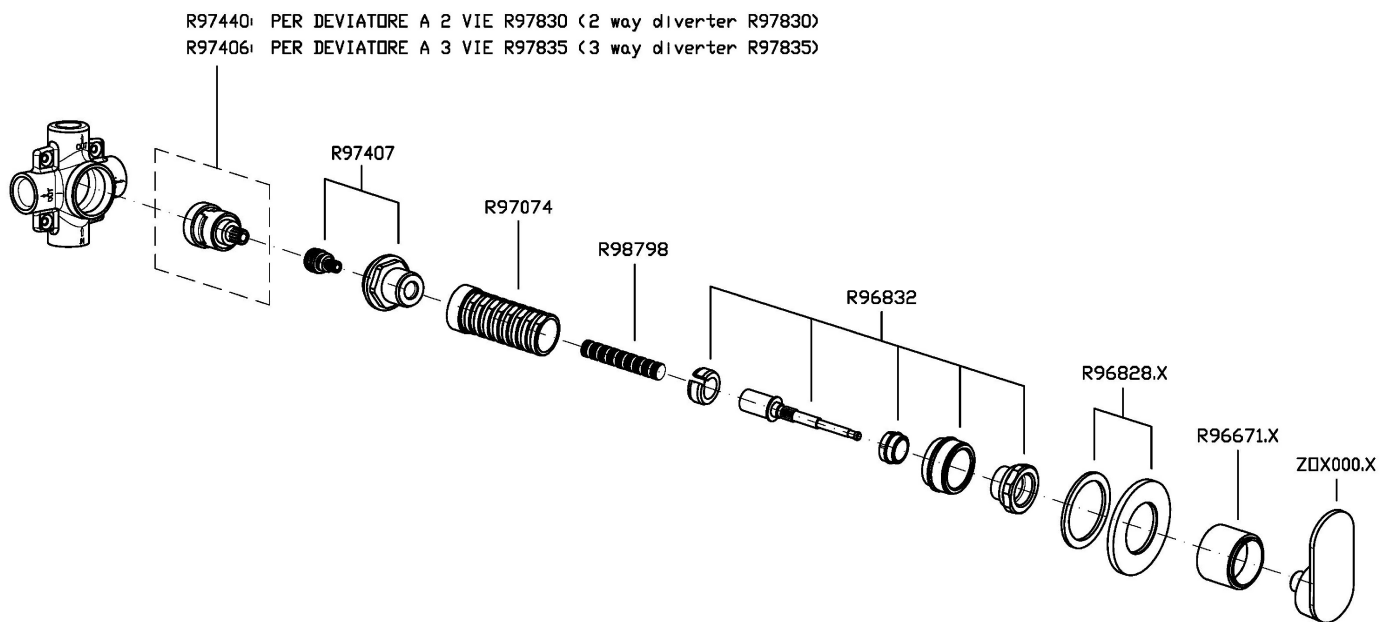
Disegno Complessivo / Overall Drawing



OCTO X

Z94636.X

Esplosi / Exploded

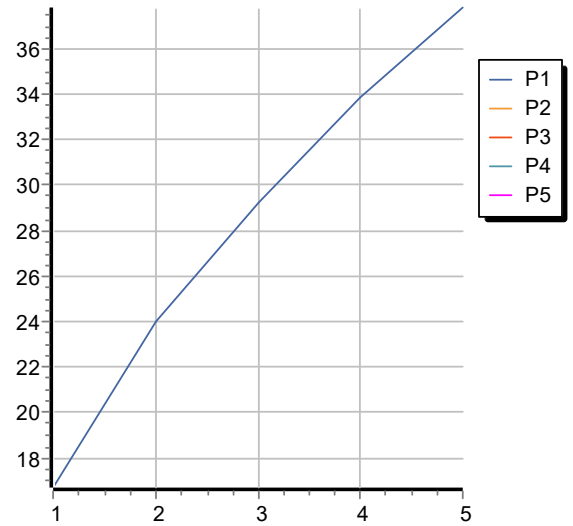


OCTO X

Z94636.X

Portate / Flowrates (lt/min)

PRESSIONE PRESSURE	1 BAR	2 BAR	3 BAR	4 BAR	5 BAR
DEVIATORE DIVERTER	16,7	24	29,2	33,8	37,8
P1					
P2					
P3					
P4					
P5					



OCTO X

Z94636.X

Pesi e Misure / Weights and Sizes

Peso (Kg) Weight (lb)	0,60 (Kg)	1,32 (lb)
Volume test (dc3) - (in3)	1,21 (dc3)	73,84 (in3)
h (mm) - (in)	73,00 (mm)	2,87 (in)
L1 (mm) - (in)	127,00 (mm)	5,00 (in)
L2 (mm) - (in)	130,00 (mm)	5,12 (in)

