

MISCELLANEOUS

Z94635

Rubinetto incasso. / Built-in stop valve.



Rubinetto incasso da 3/4".

Built-in stop valve 3/4".

R99509

Parte incasso / Built-in part.



MISCELLANEOUS

Z94635

Finiture / Finishes

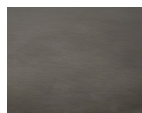


Cromo / Chrome



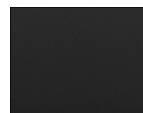
C3

Nickel Spazzolato / Brushed Nickel



C51

Metal Black spazzolato / Brushed Metal Black



N6

Nero opaco / Matt black



P21

PVD brushed chocolate / PVD brushed chocolate



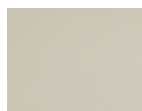
P31

Brushed PVD British gold / Brushed PVD British gold



P81

Brushed total black PVD / Brushed total black PVD



J3

Glossy gesso / Glossy gesso



K7

Pearl cipria / Pearl cipria



R6

Pearl chili / Pearl chili



V7

Pearl salvia / Pearl salvia



V8

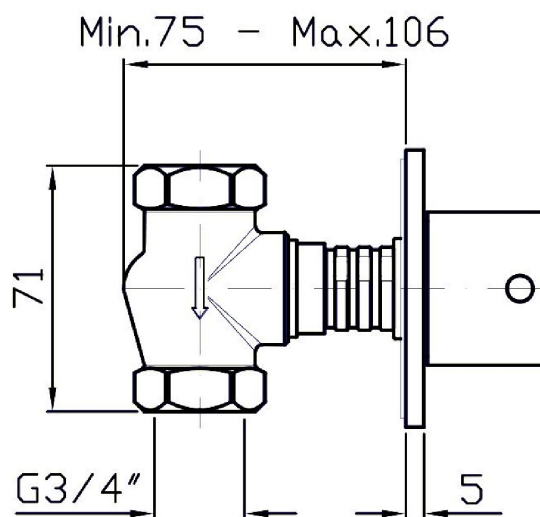
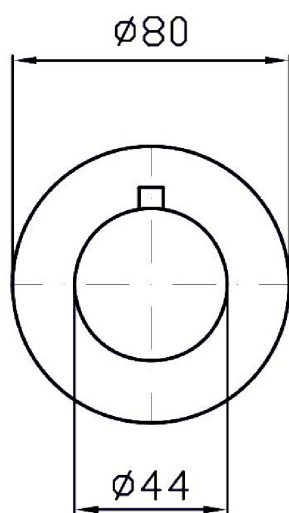
Matt mirto / Matt mirto

Note / Notes

MISCELLANEOUS

Z94635

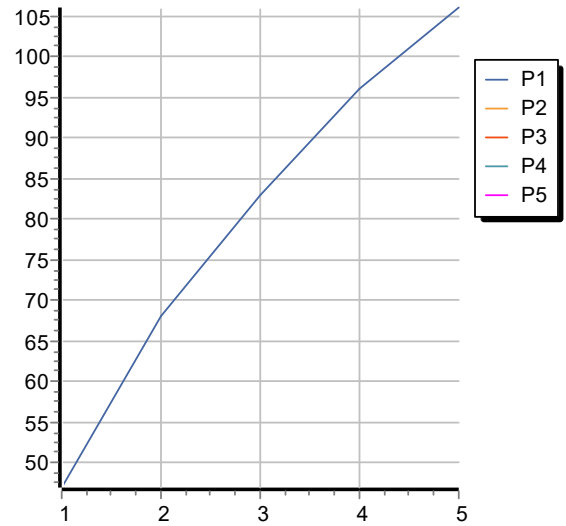
Disegno Complessivo / Overall Drawing



MISCELLANEOUS

Z94635 Portate / Flowrates (lt/min)

PRESSIONE PRESSURE	1 BAR	2 BAR	3 BAR	4 BAR	5 BAR
1 RUBINETTO APERTO P1 1 TAP OPENED	47	68	83	96	106
P2					
P3					
P4					
P5					



MISCELLANEOUS

Z94635 Pesi e Misure / Weights and Sizes

Peso (Kg) Weight (lb)	0,60 (Kg)	1,32 (lb)
Volume test (dc3) - (in3)	0,91 (dc3)	55,53 (in3)
h (mm) - (in)	66,00 (mm)	2,60 (in)
L1 (mm) - (in)	111,00 (mm)	4,37 (in)
L2 (mm) - (in)	123,00 (mm)	4,84 (in)

