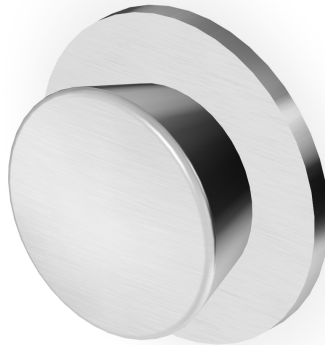


SABLIER

Z94618.X

Deviatore 2 vie. / 2 way diverter.



Deviatore 2 vie in acciaio inox AISI 316L, senza apertura/chiusura acqua, uscite da 1/2".

2 way diverter in AISI 316L stainless steel, without water on/off function, 1/2" outlets.

R96737

Parte incasso deviatore 2 vie. / Built-in part - 2 way diverter.



SABLIER

Z94618.X

Finiture / Finishes



X

Acciaio inox spazzolato /
Brushed stainless steel



XP21

Brushed PVD chocolate /
Brushed PVD chocolate



XP31

Brushed PVD British gold /
Brushed PVD British gold



XP41

Brushed PVD gold / Brushed
PVD gold



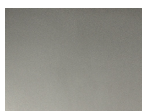
XP81

PVD Brushed Total Black /
PVD Brushed Total Black



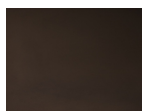
XP91

Brushed PVD copper /
Brushed PVD copper



XS

Acciaio inox matt / Matt
stainless steel



XSP21

Matt PVD chocolate / Matt
PVD chocolate



XSP31

Matt PVD British gold / Matt
PVD British gold



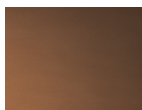
XSP41

Matt PVD gold / Matt PVD gold



XSP81

Matt PVD total black / Matt
PVD total black



XSP91

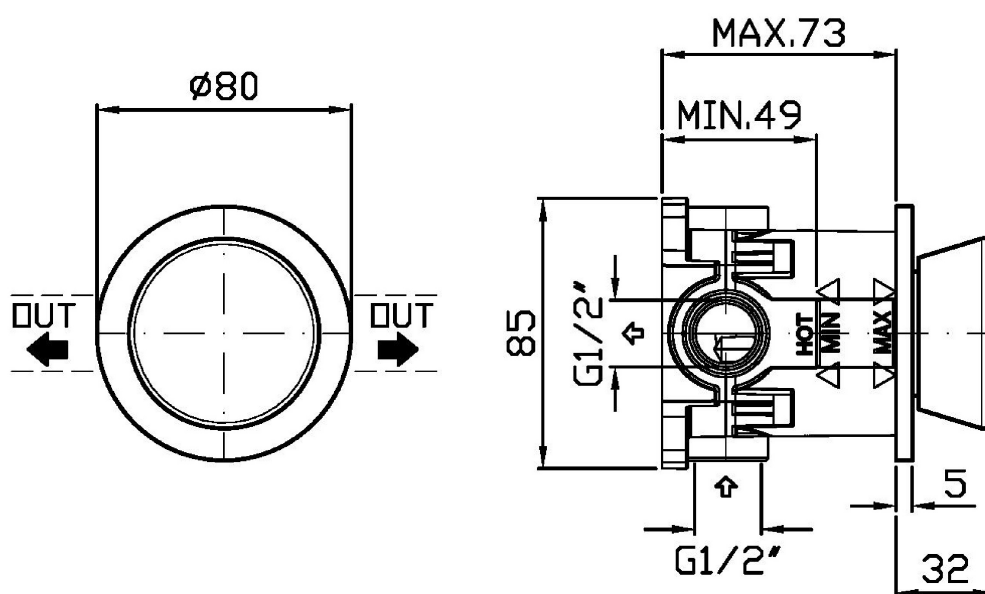
Matt PVD copper / Matt PVD
copper

Note / Notes

SABLIER

Z94618.X

Disegno Complessivo / Overall Drawing

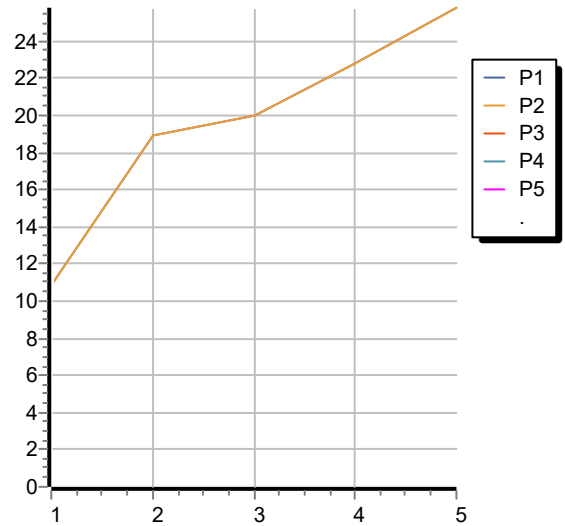


SABLIER

Z94618.X

Portate / Flowrates (lt/min)

| PRESSIONE PRESSURE | 1 BAR | 2 BAR | 3 BAR | 4 BAR | 5 BAR |
|---|-------|-------|-------|-------|-------|
| USCITA PRIMARIA PRIMARY OUTLET P ₁ | 10,9 | 18,9 | 20 | 22,8 | 25,8 |
| USCITA SECONDARIA SECONDARY OUTLET P ₂ | 10,9 | 18,9 | 20 | 22,8 | 25,8 |
| P ₃ | | | | | |
| P ₄ | | | | | |
| P ₅ | | | | | |



SABLIER

Z94618.X

Pesi e Misure / Weights and Sizes

| | | |
|-------------------------------|---------------|---------------|
| Peso (Kg) Weight (lb) | 0,70 (Kg) | 1,54 (lb) |
| Volume test (dc3) - (in3) | 1,21 (dc3) | 73,84 (in3) |
| h (mm) - (in) | 73,00 (mm) | 2,87 (in) |
| L1 (mm) - (in) | 127,00 (mm) | 5,00 (in) |
| L2 (mm) - (in) | 130,00 (mm) | 5,12 (in) |

