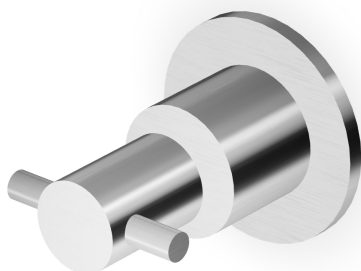


HELM

Z94611.X

Deviatore 2/3 vie. / 2/3 way diverter.



Deviatore 2/3 vie in acciaio inox AISI 316L, senza apertura/chiusura acqua, uscite da 1/2".

2/3 way diverter in AISI 316L stainless steel, without water on/off function, 1/2" outlets.

R97830

Parte incasso deviatore 2 vie / Built-in part - 2 way diverter



R97835

Parte incasso deviatore 3 vie / Built-in part - 3 way diverter



HELM

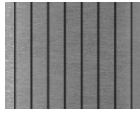
Z94611.X

Finiture / Finishes



X

Acciaio inox spazzolato /
Brushed stainless steel



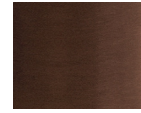
XG2

Acciaio inox spazz.-godr.
verticale / Br. stainless
steel-Vertical knurling



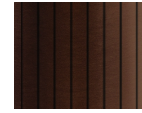
XG3

Acciaio inox
spazz.-godronatura diagonale
/ Br. stainless steel-diagonal



XP21

Brushed PVD chocolate /
Brushed PVD chocolate



XP21G

Brushed PVD chocolate
godronatura verticale /
Brush PVD chocolate-vertical



XP21G

Brushed PVD
chocolate-godronatura
diagonale / Brush PVD



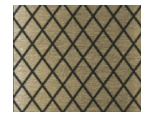
XP31

Brushed PVD British gold /
Brushed PVD British gold



XP31G

Br. PVD British gold-godr.
verticale / Br. PVD British
gold-vertical knurling



XP31G

Br. PVD British gold-godr.
diagonale / Br. PVD British
gold-diagonal knurling



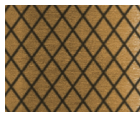
XP41

Brushed PVD gold / Brushed
PVD gold



XP41G

Br. PVD gold-godronatura
verticale / Brushed PVD
gold-vertical knurling



XP41G

Br. PVD gold-godr. diagonale /
Br. PVD gold-diagonal knurling



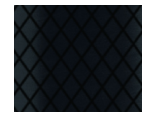
XP81

PVD Brushed Total Black /
PVD Brushed Total Black



XP81G

Br. PVD Total Black-godr.
verticale / Br. PVD Total
Black-vertical knurling



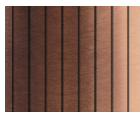
XP81G

Br. PVD Total Black-godr.
diagonale / Br. PVD Total
Black-diagonal knurling



XP91

Brushed PVD copper /
Brushed PVD copper



XP91G

Br. PVD copper-godr.
verticale / Br. PVD
copper-vertical knurling



XP91G

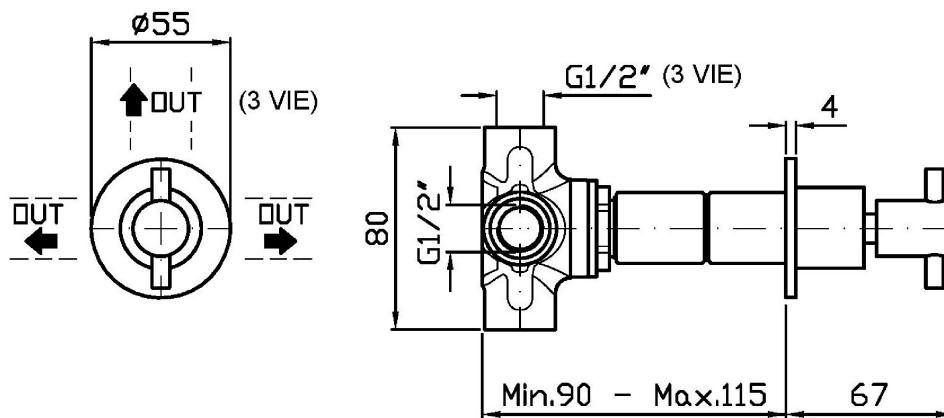
Br. PVD copper-godr.
diagonale / Br. PVD
copper-diagonal knurling

Note / Notes

HELM

Z94611.X

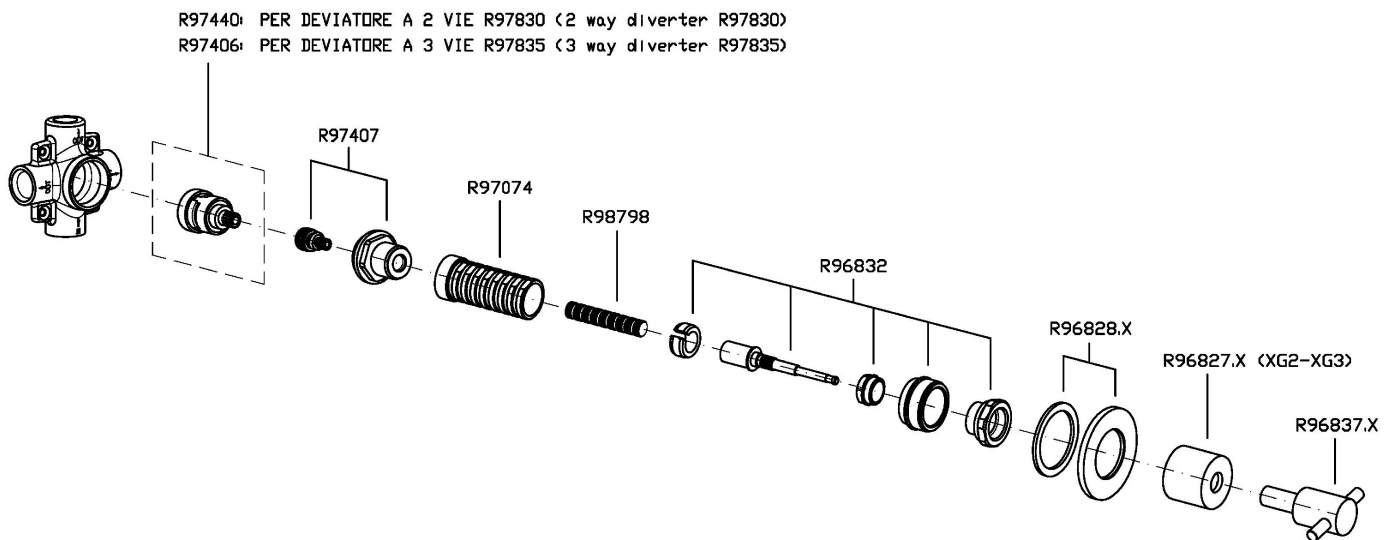
Disegno Complessivo / Overall Drawing



HELM

Z94611.X

Esplosi / Exploded

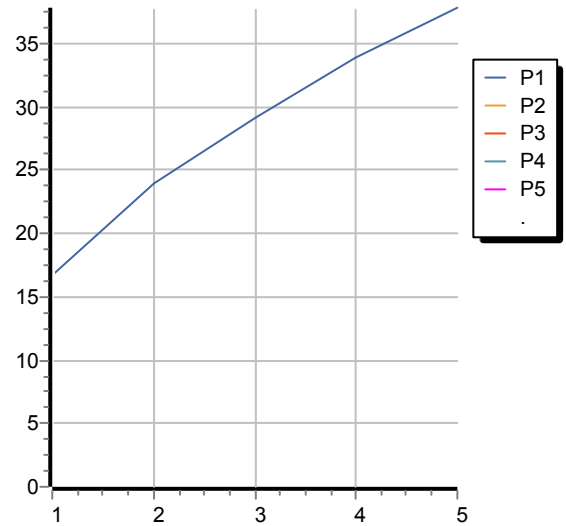


HELM

Z94611.X

Portate / Flowrates (lt/min)

PRESSIONE PRESSURE	1 BAR	2 BAR	3 BAR	4 BAR	5 BAR
DEVIATORE <i>P1</i>	16,7	24	29,2	33,8	37,8
<i>P2</i>					
<i>P3</i>					
<i>P4</i>					
<i>P5</i>					



HELM

Z94611.X

Pesi e Misure / Weights and Sizes

Peso (Kg) Weight (lb)	0,55 (Kg)	1,21 (lb)
Volume test (dc3) - (in3)	0,91 (dc3)	55,53 (in3)
h (mm) - (in)	66,00 (mm)	2,60 (in)
L1 (mm) - (in)	111,00 (mm)	4,37 (in)
L2 (mm) - (in)	123,00 (mm)	4,84 (in)

