

SHOWER

Z94312

Soffione a getto fisso, Ø 250 mm. / Ø 250 mm shower head, simple jet.



Soffione Ø 250 mm in ottone, a getto fisso con sistema anticalcare. Spessore 8 mm. Ispezionabile.
Water Saving - portata d'acqua uguale o inferiore a 9 l/min

Ø 250 mm brass shower head, with anti-limescale system. 8 mm thickness. Inspectionable.
Water Saving - water flow rate of 9 L/min or less.

SHOWER

Z94312

Finiture / Finishes



Croma / Chrome



C3

Nickel Spazzolato / Brushed Nickel



C8

Nickel Lucido / Polished Nickel



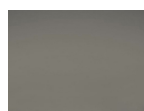
C40

Oro / Gold



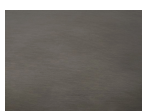
C41

Oro spazzolato / Brushed Gold



C50

Metal Black / Metal Black



C51

Metal Black spazzolato / Brushed Metal Black



W1

Bianco Opaco Goffrato / Embossed Matt White



N1

Nero Opaco Goffrato / Embossed Matt Black



N6

Nero opaco / Matt black



P21

PVD brushed chocolate / PVD brushed chocolate



P31

Brushed PVD British gold / Brushed PVD British gold



P41

PVD Oro Spazzolato / PVD Brushed Gold



P81

Brushed total black PVD / Brushed total black PVD



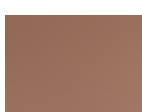
P91

Brushed PVD Copper / Brushed PVD Copper



J3

Glossy gesso / Glossy gesso



K7

Pearl cipria / Pearl cipria



R6

Pearl chili / Pearl chili



V7

Pearl salvia / Pearl salvia



V8

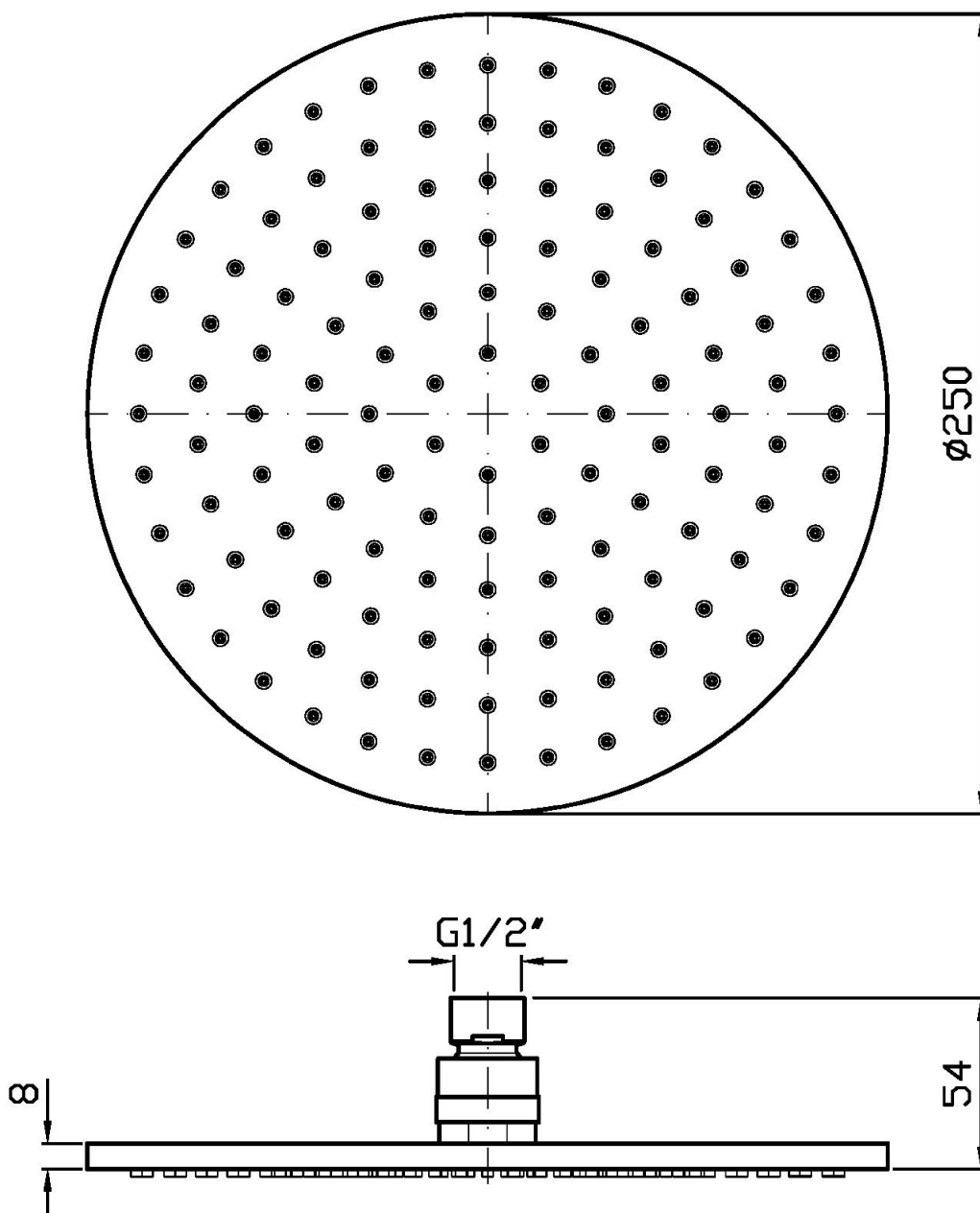
Matt mirto / Matt mirto

Note / Notes

SHOWER

Z94312

Disegno Complessivo / Overall Drawing

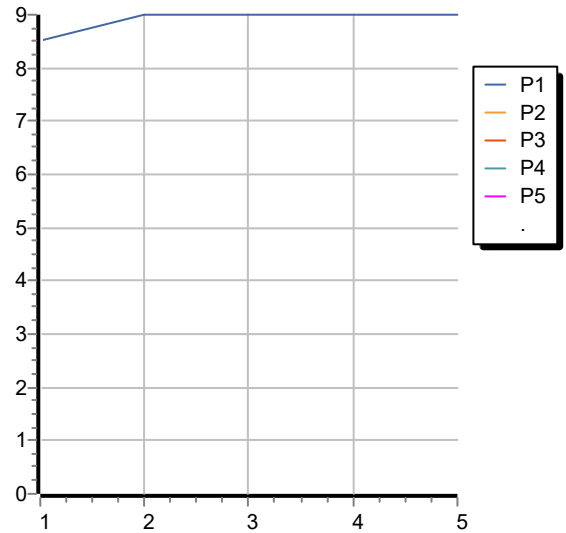


SHOWER

Z94312

Portate / Flowrates (lt/min)

PRESSIONE PRESSURE	1 BAR	2 BAR	3 BAR	4 BAR	5 BAR
P1 SOFFIONE SHOWER HEAD	8,5	9	9	9	9
P2					
P3					
P4					
P5					



SHOWER

Z94312

Pesi e Misure / Weights and Sizes

Peso (Kg) Weight (lb)	1,27 (Kg)	2,80 (lb)
Volume test (dc3) - (in3)	5,19 (dc3)	316,96 (in3)
h (mm) - (in)	70,00 (mm)	2,76 (in)
L1 (mm) - (in)	265,00 (mm)	10,43 (in)
L2 (mm) - (in)	280,00 (mm)	11,02 (in)

